

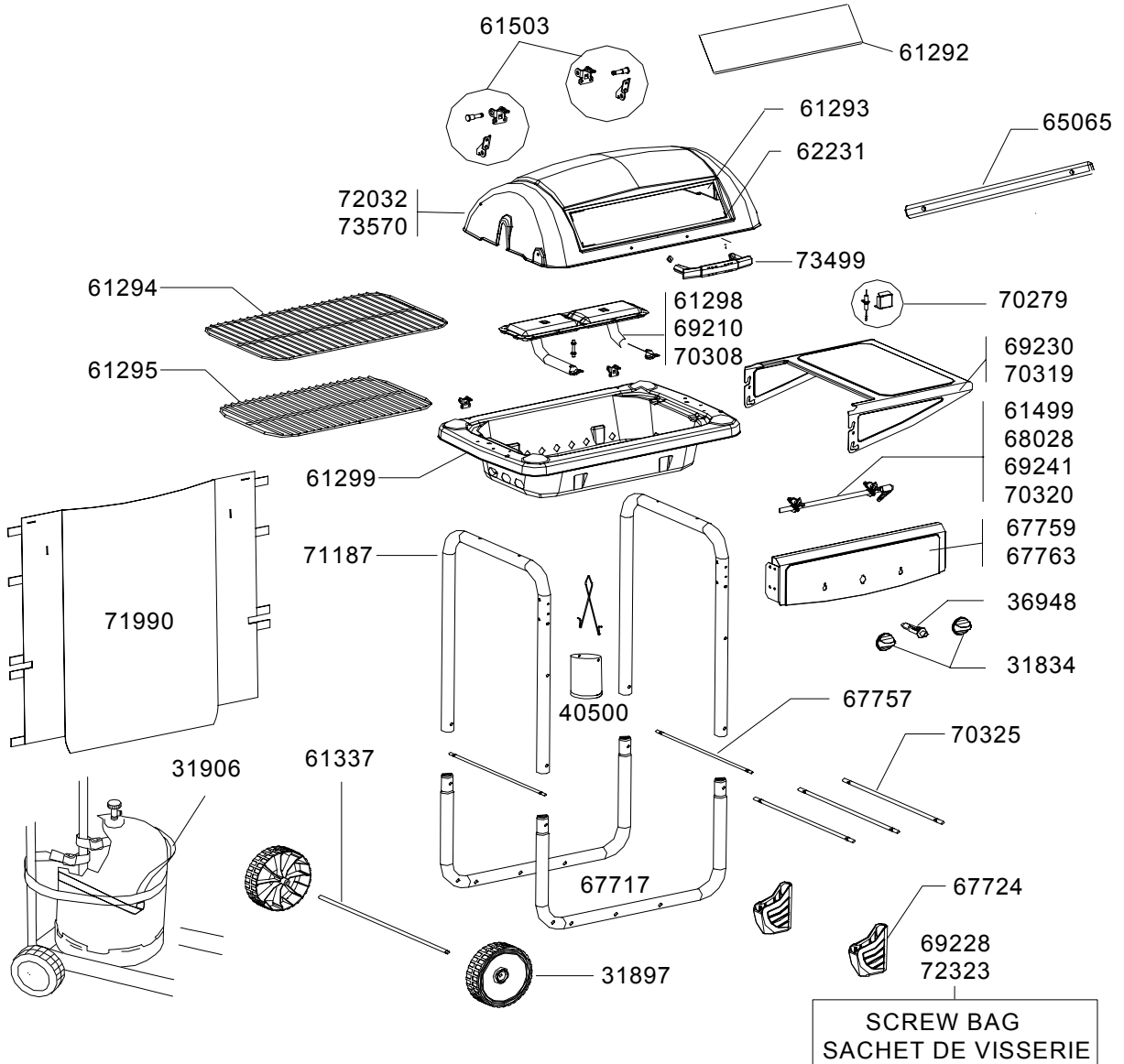
BARBECUES RANCHO & RANCHO PLUS - SUPER - CLASSIC



RANCHO



RANCHO PLUS - SUPER - CLASSIC



BARBECUES RANCHO & RANCHO PLUS - SUPER - CLASSIC



REF.	POINTS	GB - DESIGNATIONS	DESIGNATIONS - F -	RANCHO	RANCHO PLUS - SUPER - CLASSIC
31834	30	FRONT PANEL KNOB (X2)	VOLANT DE CONSOLE (X2)	X	X
31897	50	WHEEL DIAMETER 175 (X 1)	ROUE DIAMETRE 175 (X 1)	X	X
31906	30	CYLINDER STRAP	SANGLE BOUTEILLE	X	X
36948	60	SIMPLE IGNITER	PIEZO SIMPLE	X	X
40500	40	GREASE CAN + WIRE	BOITE A GRAISSE + FIL	X	X
61292	100	GLASS + (SUPPORT X4)	VITRE+ (EQUERRE X4)	X	X
61293	65	ANGULAR THERMOMETER	THERMOMETRE D'ANGLE		X
61294	120	NICKEL CHROME COOKING GRATE	GRILLE DE CUISSON CHROMEE	X	X
61295	90	LAVA ROCK GRATE	GRILLE PIERRE DE LAVE	X	X
61298	165	BURNER 28 MBAR	BRULEUR 28 MBAR	X	X
61299	295	BOTTOM	CUVE	X	X
61337	30	AXLE WHEEL	AXE DE ROUE	X	X
61499	150	GAS PIPE 50 MB- 1/4"	TUBULURE COMPLETE 50MB-1/4"	X	X
61503	50	LID HINGE SET (X 2)	CHARNIERES+AXE x 2 COUVERCLE	X	X
62231	60	GLASS SQUARE SUPPORT (X4)	EQUERRE VITRE (X4)	X	X
65065	85	WOODEN FRONT HANDLE+ SUPPORTS	POIGNEE FRONTALE BOIS + SUPPORTS		X
67717	90	LOWER U TUBE - GREY	TUBE U INFERIEUR - GRIS	X	X
67724	30	FOOT	PIED	X	X
67757	30	CYLINDER STOP WIRE	FIL ARRET BOUTEILLE	X	X
67759	90	SILVER FRONT PANEL	CONSOLE ARGENT		X
67763	100	GREY FRONT PANEL	CONSOLE GRISE	X	X
68028	150	GAS PIPE 28 MBAR - EXPORT NOZZLE	TUBULURE 28 MBAR - ABOUT EXPORT	X	X
69210	150	BURNER 50 MBAR	BRULEUR 50 MBAR	X	X
69228	90	SCREW BAG	SACHET DE VISSERIE	X	X
69230	120	SHEET METAL SIDE SHELF - SILVER	ETAGERE TOLE - ARGENT		X
69241	160	GAS PIPE 28 MB - 1/2"(Fr)	TUBULURE 28 MB - 1/2"(Fr)	X	X
70279	50	ELECTRODE + HOLDER	ELECTRODE + CACHE ELECTRODE	X	X
70308	220	ACCESSORY BURNER ELDORADO/EXPERT	ACCESSOIRE BRULEUR ELDORADO/EXPERT	X	X
70319	110	GREY SHELF	ETAGERE GRISE	X	X
70320	150	GAS PIPE 28 MB - 1/4" CH	TUBULURE 28 MB - 1/4" CH		X
70325	70	CYLINDER WIRE (x 3)	FILS SUPPORT BOUTEILLE (x 3)	X	X
71187	90	UPPER U TUBE - GREY	TUBE U SUPERIEUR - GRIS	X	X
71990	150	CYLINDER COVER	JUPE		X
72032	290	LID MOD. CH (WOODEN HANDLE)	COUVERCLE MOD. CH (POIGNEE BOIS)		X
72323	40	SCREW BAG FOR WOODEN HANDLE	SACHET DE VIS POUR POIGNEE BOIS		X
73499	60	HANDLE	POIGNEE	X	X
73570	210	LID	COUVERCLE	X	X
71188	70	PACKAGING	EMBALLAGE	X	X