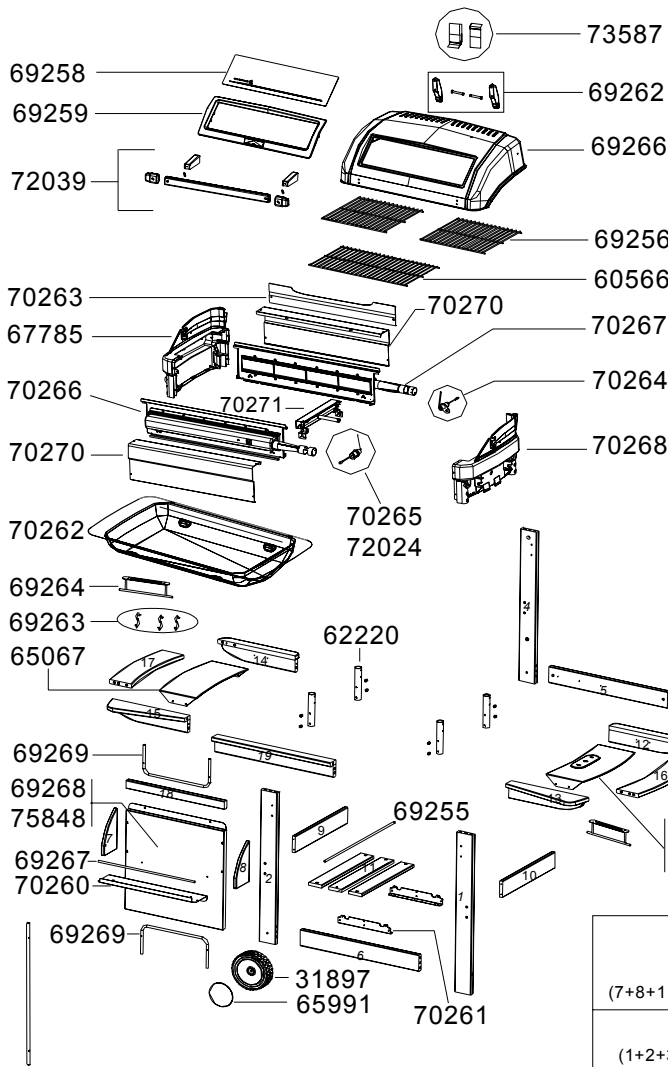
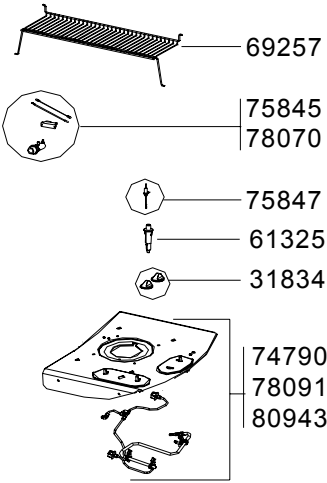


BARBECUES : RBS CLASSIC GRANDE & DELUXE /RBS WOODY GRANDE & DELUXE

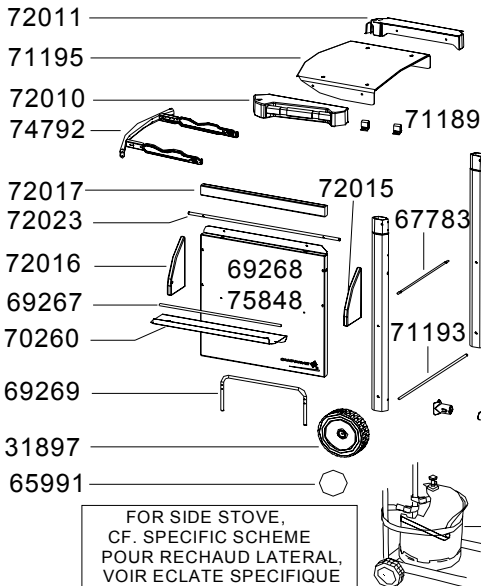
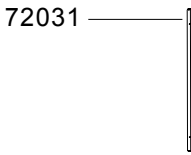


*jets Interigniting burner/
injecteurs brûleur interallumage*
28 Mb : 17342
50 Mb : 10078

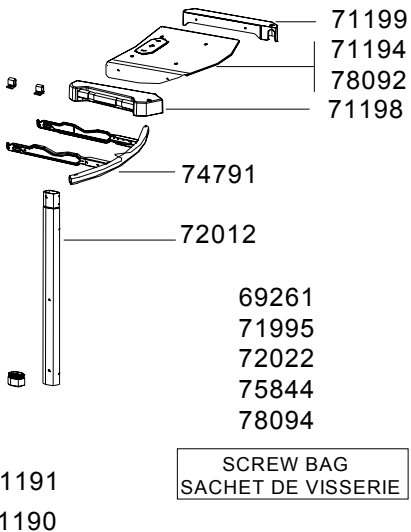
Jets / Injecteurs BBQ
28 mb : 31841
50 mb : 31839



70269 72021 (7+8+11+12+13+14+15+16+17)
70278 (1+2+3+4+5+6+9+10+18+19)



FOR SIDE STOVE,
CF. SPECIFIC SCHEME
POUR RECHAUD LATÉRAL,
VOIR ECLATE SPECIFIQUE



SCREW BAG
SACHET DE VISSERIE

**BARBECUES : RBS CLASSIC GRANDE
& DELUXE / RBS WOODY GRANDE &
DELUXE**



REF.	POINTS	GB - DESIGNATIONS	DESIGNATIONS - F	CLASSIC GRANDE	CLASSIC GRANDE DELUXE	WOODY GRANDE	WOODY GRANDE DELUXE
10078	40	JET	INJECTEUR	X	X	X	X
17342	50	JET	INJECTEUR	X	X	X	X
31834	30	FRONT PANEL KNOB (X2)	VOLANT DE CONSOLE (X2)	X	X	X	X
31839	30	JET	INJECTEUR	X	X	X	X
31841	30	JET	INJECTEUR	X	X	X	X
31897	50	WHEEL DIAMETER 175 (X 1)	ROUE DIAMETRE 175 (X 1)	X	X	X	X
31906	30	CYLINDER STRAP	SANGLE BOUTEILLE	X	X	X	X
60566	90	LAVA ROCK GRATE	GRILLE PIERRE DE LAVE	X	X	X	X
61325	83	DOUBLE IGNITOR	PIEZO DOUBLE	X	X	X	X
62220	135	VAT SUPPORT BARS(X4)	SUPPORT CUVE (X4)			X	X
65066	100	RIGHT SHELF - SILVER (MOD. PIEZO)	ETAGERE DROITE- ARGENT (MOD. PIEZO)			X	
65067	100	LEFT SHELF - SILVER	ETAGERE GAUCHE - ARGENT			X	X
65991	30	HUB CAP	ENJOLIVEUR DE ROUE	X	X	X	X
67783	30	CYLINDER STOP WIRE	FIL ARRET BOUTEILLE	X	X		
67785	240	LEFT FLANK	FLASQUE GAUCHE	X	X	X	X
69255	50	WHEEL AXLE	AXE DE ROUE			X	X
69256	80	HALF ENAMELLED COOKING GRID	DEMI GRILLE DE CUISSON EMAILLEE	X	X	X	X
69257	110	WARMING RACK	GRILLE DE MIJOTAGE	X	X	X	X
69258	150	GLASS	VITRE	X	X	X	X
69259	130	GLASS HOLDER WITH THERMOMETER	CADRE DE VITRE AVEC THERMOMETRE	X	X	X	X
69261	110	WOODEN TROLLEY SCREW BAG	SACHET DE VISSERIE CHARIOT BOIS			X	X
69262	70	SET OF HINGES LID	ENSEMBLE CHARNIERES	X	X	X	X
69263	30	HOOKS (X 3)	CROCHETS (X 3)			X	X
69264	40	USTENSILS HOLDER	PORTE USTENSILES			X	X
69266	500	LID	COUVERCLE	X	X	X	X
69267	30	BOTTLE STOP WIRE	FIL ARRET BOUTEILLE	X	X	X	X
69268	240	CYLINDER COVER SHEET METAL	TOLE CACHE BOUTEILLE	X	X	X	X
69269	40	CYLINDER COVER HOLDER	TUBE SUPPORT CACHE BOUTEILLE	X	X	X	
70260	80	SHEET METAL BASKET	PANIER TOLE	X	X	X	X
70261	40	LATH HOLDER	SUPPORT LATTES			X	X
70262	160	VAT BOTTOM	FOND DE CUVE	X	X	X	X
70263	80	CENTRAL WINDSHIELD	PAREVENT CENTRAL	X	X	X	X
70264	70	ELECTRODE ROUND SOCKET	ELECTRODE COSSE RONDE	X	X	X	X
70265	70	ELECTRODE FLAT SOCKET	ELECTRODE COSSE PLATE	X		X	
70266	430	FRONT BURNER 28 MBAR	BRULEUR AVANT 28 MBAR	X	X	X	X
70267	430	REAR BURNER 28 MBAR	BRULEUR ARRIERE 28 MBAR	X	X	X	X
70268	230	RIGHT SIDE FLANK	FLASQUE DROITE	X	X	X	X
70269	620	WOODEN TROLLEY - SMALL PARTS	CHARIOT BOIS - PETITES PIECES			X	
70270	140	SHEET METAL PANEL FRONT - BACK	TOLE FACADE AVANT - ARRIERE	X	X	X	X
70271	120	INTERIGNITING BURNER	BRULEUR INTERALLUMAGE	X	X	X	X
70272	300	GAS PIPE 28 MBAR- EXPORT NOZZLE	TUBULURE 28MB ABOUT EXPORT	X		X	
70273	300	GAS PIPE 28 MBAR 1/2"(Fr)	TUBULURE 28 MBAR 1/2"(Fr)	X		X	
70278	600	WOODEN TROLLEY - LARGE PARTS	CHARIOT GRANDES PIECES			X	X
71189	30	USTENSILS HOLDER	PORTE USTENSILES	X	X		
71190	50	CARRIAGE TUBE CONNECTOR (X 4)	RACCORD TUBE CHARIOT (X4)	X	X	X	X
71191	30	CARRIAGE TUBE FOOT	PIED TUBE CHARIOT	X	X		
71193	50	WHEEL AXLE	AXE DE ROUE	X	X		
71194	100	RIGHT SHELF - MOD PIEZO	ETAGERE DROITE - MOD PIEZO	X			
71195	100	LEFT SHELF	ETAGERE GAUCHE	X	X		

BARBECUES : RBS CLASSIC GRANDE & DELUXE /RBS WOODY GRANDE & DELUXE



REF.	POINTS	GB - DESIGNATIONS	DESIGNATIONS - F	CLASSIC GRANDE	CLASSIC GRANDE DELUXE	WOODY GRANDE	WOODY GRANDE DELUXE
71198	70	RIGHT FRONT SIDE SHELF	ETAGERE LATERALE AVANT DROITE	X	X		
71199	60	RIGHT REAR SIDE SHELF	ETAGERE LATERALE ARRIERE DROIT	X	X		
71995	90	SCREW BAG	SACHET DE VISSERIE	X	X		
72010	70	LEFT FRONT SIDE SHELF	ETAGERE LATERALE AVANT GAUCHE	X	X		
72011	60	LEFT REAR SIDE SHELF	ETAGERE LATERALE ARRIERE GAUCHE	X	X		
72012	100	CARRIAGE TUBE	TUBE CHARIOT	X	X		
72013	80	HONRIZONTAL CARRIAGE TUBE	TUBE HORIZONTAL CHARIOT	X	X		
72014	140	CYLINDER HOLDER	SUPPORT DE RESERVOIR	X	X		
72015	50	RIGHT WOODEN FLANK	FLANC BOIS DROIT	X	X	X	X
72016	50	LEFT WOODEN FLANK	FLANC BOIS GAUCHE	X	X	X	X
72017	80	WOODEN PLANK OF CYLINDER COVER	TRAVERSE BOIS CACHE BOUTEILLE	X	X		
72019	60	STRENGTHENING BAR (X 2)	FIL RENFORT (X 2)	X	X		
72021	600	WOODEN TROLLEY - SMALL PARTS	CHARIOT PETITES PIECES				X
72022	100	SCREW BAG	SACHET DE VISSERIE			X	X
72023	30	UPPER STRAIGHT TUBE FOR SHEET CYLINDER COVER	TUBE DROIT SUPERIEUR POUR CACHE BOUTEILLE	X	X		
72024	60	ELECTRODE FLAT SOCKET - LONG WIRE	ELECTRODE COSSE PLATE - FIL LONG		X		X
72031	60	STRAGHT TUBE	TUBE DROIT			X	X
72039	110	LID HANDLE	POIGNEE COUVERCLE	X	X	X	X
73587	215	SQUARE HOLDERS FOR LID (X 2)	BUTEE ARRET COUVERCLE (X 2)	X	X	X	X
74790	450	GAS PIPE & STOVE TRAY 28 MB - EXPORT NOZZLE	ENSEMBLE TUBULURE & PLATEAU 28MB ABOUT EXPORT		X		
74791	160	RIGHT PREASSEMBLED SHELF	ETAGERE DROITE PREMONTTEE		X		
74792	160	LEFT PREASSEMBLED SHELF	ETAGERE GAUCHE PREMONTTEE	X	X		
75844	110	SCREW BAG MOD.2008	SACHET DE VIS MOD.2008	X	X		
75845	320	ELECTRONIC IGNITION 4 OUTLETS	KIT ALLUMAGE ELECTRONIQUE DOUBLE		X		X
75847	70	ELECTRODE WITH FLAT END LONG WIRE	ELECTRODE COSSE PLATE FIL LONG	X	X	X	X
75848	350	CYLINDER COVER WITH SERIGRAPHY MOD 2008	TOLE SERIGRAPHIEE CACHE BOUTEILLE MOD.2008	X	X	X	X
78070	200	ELECTRONIC IGNITION 2 OUTLETS	KIT ALLUMAGE ELECTRONIQUE DOUBLE	X		X	
78091	450	GAS PIPE & STOVE TRAY 28 MB - EXPORT NOZZLE	ENSEMBLE TUBULURE & PLATEAU 28MB ABOUT EXPORT		X		
78092	100	TRAY (MOD ELECTRONIC IGNITOR)	ETAGERE (MOD. TRAIN ETINCELLES)	X			
78094	110	SCREW BAG	SACHET DE VIS			X	X
78095	130	RIGHT SHELF - SILVER	ETAGERE DROITE - ARGENT			X	
80943	450	GAS PIPE & STOVE TRAY 28 MB - EXPORT NOZZLE	ENSEMBLE TUBULURE RECHAUD 28 MB 1/4" + PLATEAU				X
70277	120	PACKAGING	EMBALLAGE			X	
72020	100	PACKAGING	EMBALLAGE	X			
75843	100	PACKAGING MOD.2008	EMBALLAGE MOD 2008		X		
75849	110	PACKAGING MOD 2008	EMBALLAGE MOD 2008	X			
78093	120	PACKAGING MOD 2008	EMBALLAGE MOD 2008			X	
78096	110	PACKAGING MOD 2008	EMBALLAGE MOD 2008				X
	0	FOR SIDE STOVE SEE SIDE STOVE SCHEME OF RBS CLASSIC GRANDE POUR RECHAUD LATERAL VOIR ECLATE RECHAUD RBS CLASSIC GRANDE			X		X