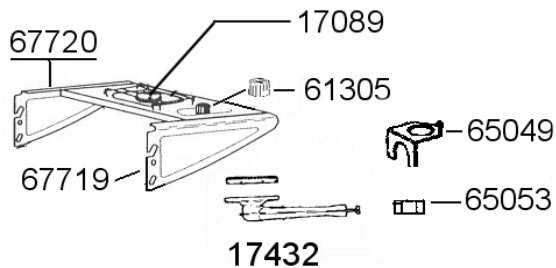
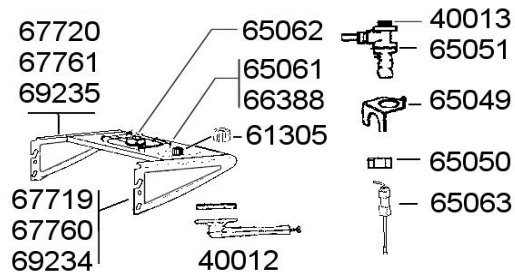


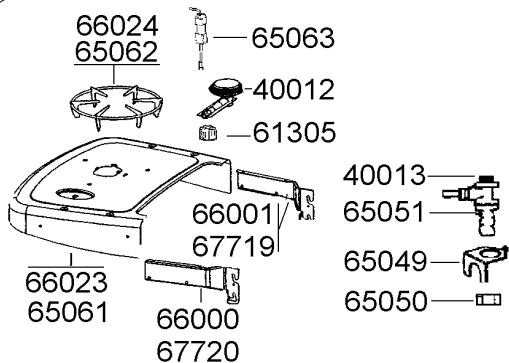
**BARBECUE SIDE STOVES
RECHAUD LATERAL BARBECUES**



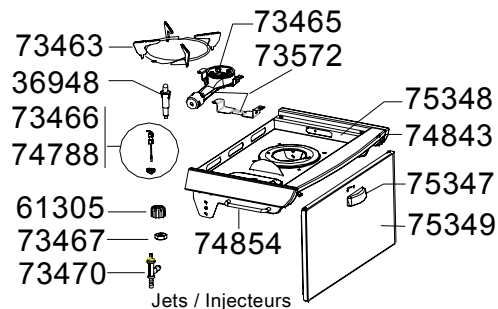
ELDO EXTRA & RANCHERO 98/99



ELDORADO & EXPERT2

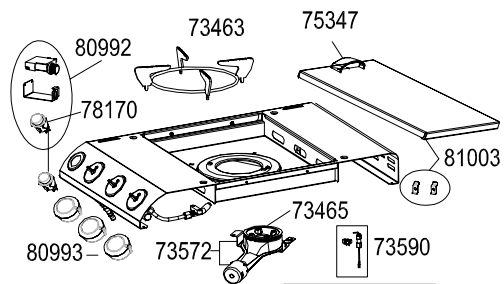


VIRTUOSO 2000 - 2500 & 1700-2000R



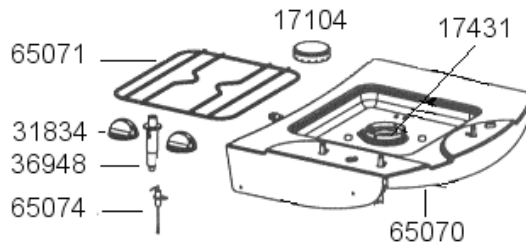
Jets / Injecteurs
28mb 66340 - 31839 Model 2 Classic L
50mb 40013 Model 4 Classic L Deluxe

ADELAÏDE 2 - 3 - 4 CLASSIC L DELUXE



Jets / Injecteurs :
66340 28 mb 1900 - 2400
40013 50 mb 1900 - 2400

C-LINE 1900 - 2400 D



RBS & RBS WOODY GRANDE

BARBECUE SIDE STOVES RECHAUD LATERAL BARBECUES



REF.	POINTS	GB DESIGNATIONS	DESIGNATIONS F	ELDORADO EXTRA / RANCHERO98/99	ELDORADO / EXPERT / 2/ ADVANTAGE	TEXAS & TEXAS US DELUXE	VIRTUOSO 2000 & 2500 - 1700 & 2000R	ADELAÏDE 2 - 3 - 4 CLASSIC L DELUXE	ADELAÏDE 3 / 4 PREMIUM DELUXE	RBS WOODY & GRANDE	RBS CLASSIC GRANDE	C - LINE 1900 & 2400 D
17089	50	BURNER CAP	CHAPEAU	X								
17104	30	BURNER CAP	CHAPEAU							X		
17431	60	CRIMPED BURNER & CAP	BRULEUR SERTI+CHAPEAU							X		
17432	60	CRIMPED BURNER & CAP	BRULEUR SERTI+CHAPEAU	X								
31834	30	FRONT PANEL KNOB (X2)	VOLANT DE CONSOLE (X2)							X	X	
31839	30	JET	INJECTEUR				X				X	
36948	60	SIMPLE IGNITER	PIEZO SIMPLE				X			X	X	
40012	60	COMPLETE BURNER	BRULEUR		X		X					
40013	30	JET	INJECTEUR		X	X	X	X			X	X
40019	50	JET	INJECTEUR						X			
61305	30	KNOB	VOLANT	X	X	X	X	X				
65049	20	SQUARE	RONDELLE DE BRIDAGE	X	X		X					
65050	20	SIDE TAP NUT	ECROU DE FIXATION ROBINET		X		X					
65051	70	TAP 28 MB	ROBINET 28MB		X		X					
65053	20	SIDE TAP NUT - MOD.99	ECROU ROBINET LATERAL -MOD.99	X								
65061	95	TRAY - MOD 1700R/2000R	PLATEAU - Mod 1700R /2000R		X		X					
65062	50	GRID - MOD 1700R/2000R	GRILLE - MOD 1700R/2000R		X		X					
65063	60	ELECTRODE + WIRE	ELECTRODE + FIL		X		X					
65070	90	STOVE TRAY - SILVER (MOD. PIEZO)	PLATEAU RECHAUD - ARGENT (MOD. PIEZO)							X		
65071	60	GRATE	GRILLE							X		
65074	50	ELECTRODE AND WIRE	ELECTRODE ET FIL							X		
66000	60	SHELF SUPPORT - RIGHT MOD 2000/2500	SUPPORT ETAGERE DROIT- MOD 2000/2500				X					
66001	60	SHELF SUPPORT - LEFT - MOD 2000/2500	SUPPORT ETAGERE GAUCHE- MOD 2000/2500				X					
66023	120	SIDE STOVE TRAY -VIRTUOSO 2000	PLATEAU RECHAUD -VIRTUOSO 2000				X					
66024	60	SIDE STOVE GRID - MOD 2000/2500	GRILLE RECHAUD LATERAL - MOD 2000/2500				X					
66340	30	JET	INJECTEUR			X		X	X		X	X
66388	90	STOVE TRAY - SILVER	PLATEAU RECHAUD - ARGENT		X							
67719	60	LEFT SHELF HOLDER - GREY	SUPPORT ETAGERE GAUCHE - GRIS	X	X		X					
67720	60	RIGHT SHELF HOLDER - GREY	SUPPORT ETAGERE DROIT - GRIS	X	X		X					
67760	60	LEFT SHELF HOLDER - SILVER	SUPPORT ETAGERE GAUCHE - ARGENT		X							
67761	60	RIGHT SHELF HOLDER - SILVER	SUPPORT ETAGERE DROIT - ARGENT		X							
69234	80	LEFT SHELF HOLDER - SILVER	SUPPORT ETAGERE GAUCHE -ARGENT		X							
69235	80	RIGHT SHELF HOLDER	SUPPORT ETAGERE DROIT		X							
73463	60	PAN SUPPORT	SUPPORT DE CASSEROLE			X		X	X		X	X
73465	40	BURNER CAP	CHAPEAU DE BRULEUR			X		X	X		X	X
73466	60	ELECTRODE (ROUND END) + CLIP	ELECTRODE (COSSE RONDE) + CLIP			X		X				
73467	30	BLOCKING NUT	ECROU DE BLOCAGE			X		X	X			
73468	90	SIDE STOVE TRAY	PLATEAU RECHAUD LATERAL			X						
73470	60	28 MBAR TAP	ROBINET 28 MBAR			X		X				

BARBECUE SIDE STOVES RECHAUD LATERAL BARBECUES



REF.	POINTS	GB DESIGNATIONS	DESIGNATIONS F	ELDORADO EXTRA / RANCHERO98/99	ELDORADO / EXPERT / 2/ ADVANTAGE	TEXAS & TEXAS US DELUXE	VIRTUOSO 2000 & 2500 - 1700 & 2000R	ADELAÏDE 2 - 3 - 4 CLASSIC L DELUXE	ADELAÏDE 3 / 4 PREMIUM DELUXE	RBS WOODY & GRANDE	RBS CLASSIC GRANDE	C - LINE 1900 & 2400 S
73572	60	SIDE BURNER VENTURI	VENTURI BRULEUR LATERAL			X		X			X	X
73590	50	ELECTRODE (SQUARE END) + CLIP	ELECTRODE (COSSE PLATE)+ CLIP			X						
74788	40	ELECTRODE + CLIP	ELECTRODE + CLIP					X			X	
74791	160	RIGHT PREASSEMBLED SHELF	ETAGERE DROITE PREMONTEE								X	
74843	70	RIGHT REAR SIDE FLANK	FLANC ETAGERE ARRIERE DROITE					X				
74854	30	USTENSIL WIRE	FIL SUPPORT USTENSILES					X				
75347	30	SIDE STOVE HANDLE	POIGNEE COUVERCLE RECHAUD					X	X			X
75348	150	PRE-ASSEMBLED SIDE BURNER SHELF	ETAGERE RECHAUD PRE-ASSEMBLEE					X				
75349	80	SIDE STOVE LID	COUVERCLE RECHAUD LATERAL					X				
75846	70	SIDE BURNER ELECTRODE - MOD 2008	ELECTRODE RECHAUD LATERAL MOD. 2008								X	
78097	70	SIDE STOVE ELECTRODE - MOD 2008	ELECTRODE RECHAUD LATERAL MOD 2008								X	
78170	90	PUSH BUTTON ELECTRONIC IGNITOR	BOUTON POUSSOIR TRAIN D'ETINCELLES									X
79883	200	ELECTRONIC IGNITION SET	KIT ALLUMAGE ELECTRONIQUE						X			
79964	70	KNOB + CIRCLE	VOLANT + CERCLE						X			
79965	90	STOVE	RECHAUD						X			
79980	50	KNOB	VOLANT						X			
79981	60	ELECTRODE & CLIP	ELECTRODE & CLIP						X			
79984	300	SIDE STOVE TRAY	PLATEAU RECHAUD LATERAL						X			
79985	90	STOVE LID	COUVERCLE RECHAUD						X			
80992	180	ELECTRONIC IGNITION SET	KIT ALLUMAGE ELECTRONIQUE									X
80993	40	KNOB + CIRCLE	VOLANT + ENJOLIVEUR									X
81003	90	LID + HOOKS	COUVERCLE+ CROCHETS									X