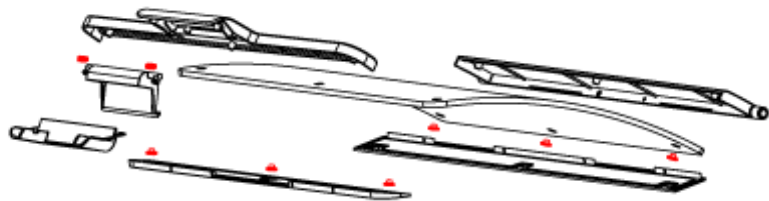
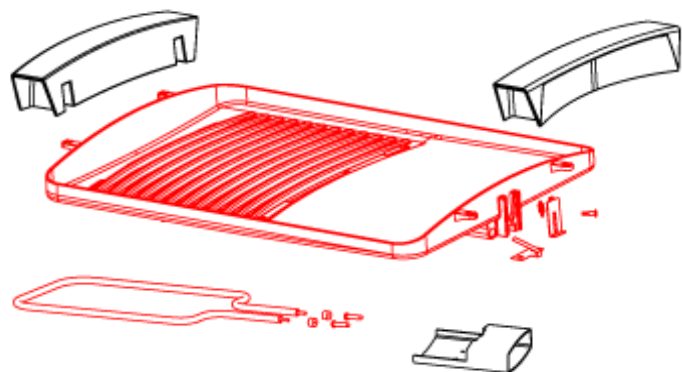


100



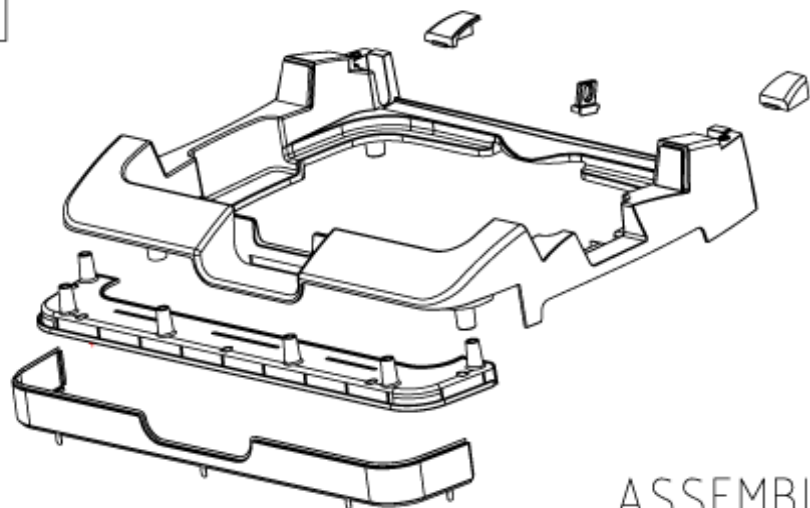
ASSEMBLED



ASSEMBLED

101

102



ASSEMBLED

Page 1 of 2



12



103

ASSEMBLED

Position	Code	description
12	AT6135317200	DRIP TRAY 762
100	AT6136005900	UPPER COVER ASSY 762
101	AT6136006000	HEATER PLATE ASSY 762
102	AT6136006200	BASE ASSY 762 AR.
103	AT6136006100	THERMOSTAT SEAT ASSY 762 EU PLUG