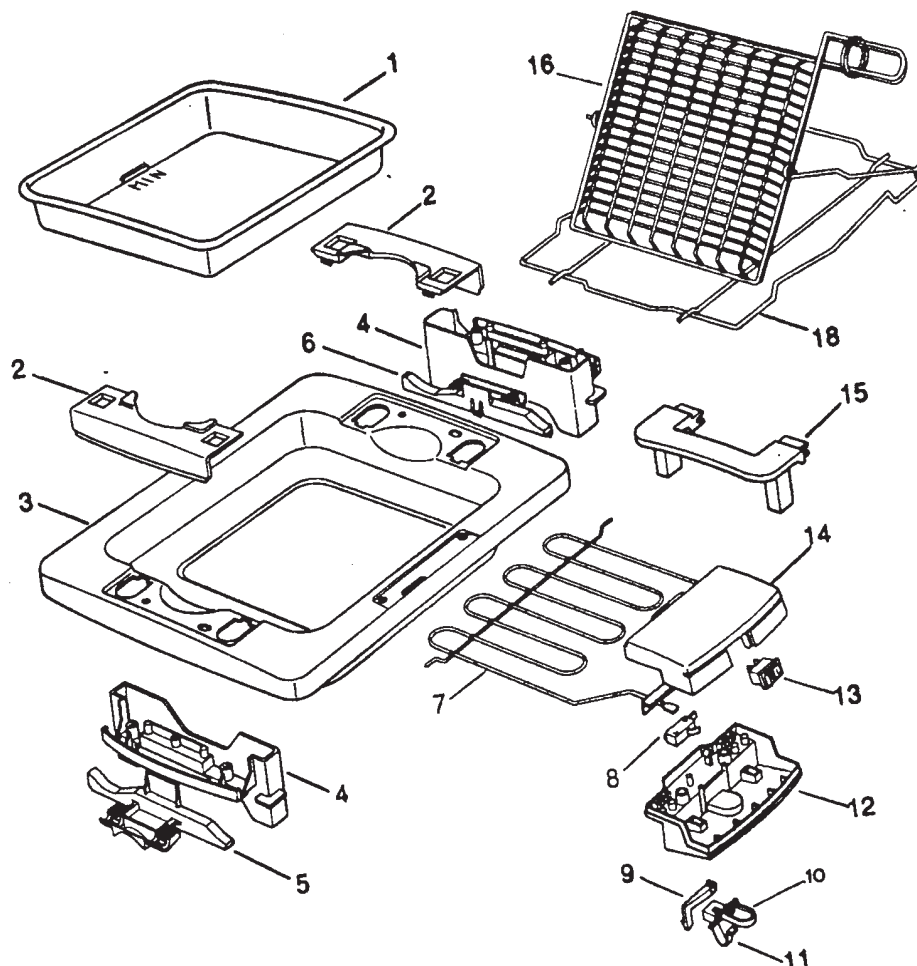


SUPERCALOR "INT/A" HG58



Position	Code	description
01	6912610008	TRAY
02	535310	HANDLE
03	7026100500	BODY
04	552211	FOOT
05	591977	SLIDER LEFT
06	591976	SLIDER RIGHT
07	5112610061	HEATING Element
08	511855	MICROSWITCH
09	535035	LEVER
10	535034	HOOK
11	606950	SPRING
12	535031	CONTROL PANEL
13	5112610211	SWITCH
14	591978	CONTROL PANEL
15	5312610421	HANDLE
16	5512610111	GRID
18	5512610131	FRAME