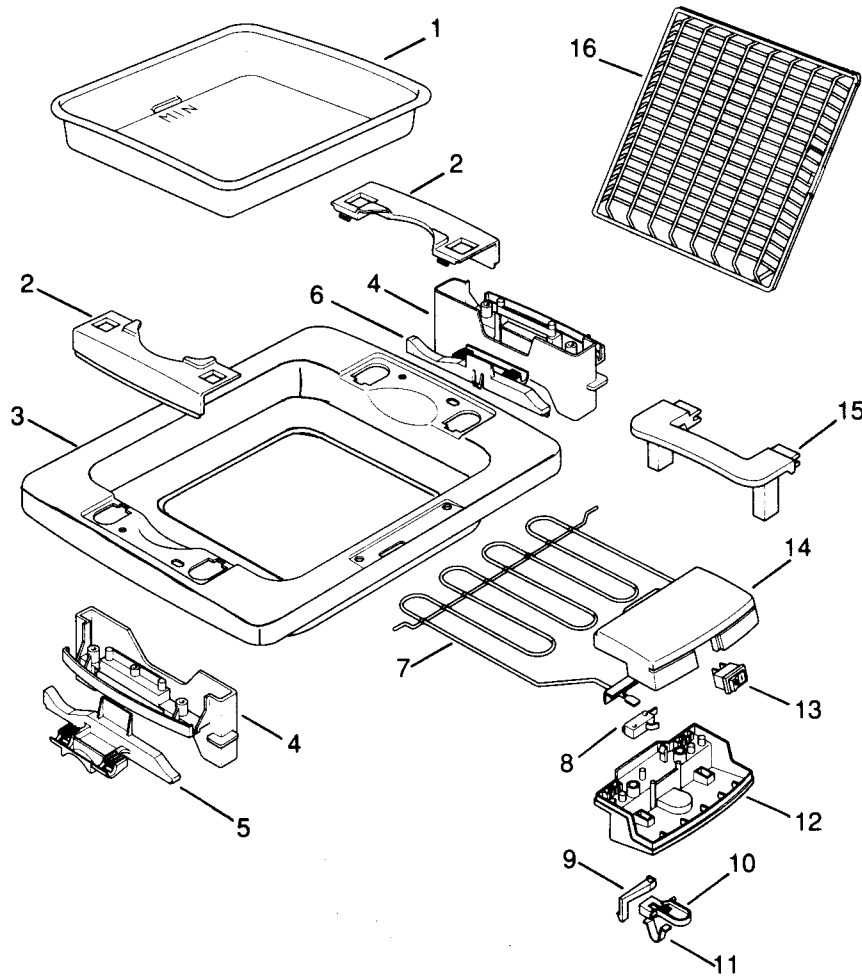




SERVICE

LA SUPERCALOR "INT" HG 65



Pos	Codice	Italiano	English	Francais	Deutsch	Espanol
	<b>566724</b>	POLISTIROLO SUP.	POLYSTYRENE UPPER	POLYSTYRENE SUP.	STYROPOR OBEN	POLIESTIROL SUP.
	<b>566725</b>	POLISTIROLO INF.	POLYSTYRENE LOWER	POLYSTYRENE INF.	STYROPOR UNTEN	POLIESTIROL INF.
	<b>573108</b>	ISTRUZIONI	INSTRUCTION BOOK	MODE D'EMPLOI	BEDIENUNGSANLEITUNG	ISTRUCCION
001	<b>690295</b>	BACINELLA	TRAY	BAC	SCHALE	CUBETA
002	<b>535310</b>	MANIGLIA	HANDLE	POIGNEE	GRIFF	MANILLA
003	<b>707850</b>	CORPO	SHELL	CORPS	KOERPER	CUERPO
004	<b>552211</b>	PIEDINO	FOOT	PIED	FUSS	PIE
005	<b>591977</b>	CURSORE SX	SLIDER LEFT	CURSEUR GAUCHE	SCHIEBER LINKS	CURSOR IZQUIERDO
006	<b>591976</b>	CURSORE DX	SLIDER RIGHT	CURSEUR DROITE	SCHIEBER RECHTS	CURSOR DERECHO
007	<b>512437</b>	RESISTENZA	HEATING Element	ELEMENT Chauffant	HEIZELEMENT	RESISTENCIA
008	<b>511855</b>	MICROINTERRUPTORE	MICROSWITCH	MICRORUPTEUR	MIKROSCHALTER	MICROINTERRUPTOR
009	<b>535035</b>	LEVA	LEVER	LEVIER	HEBEL	PALANCA
010	<b>535034</b>	GANCIO	HOOK	CROCHET	HAKEN	GANCHO
011	<b>606950</b>	MOLLA	SPRING	RESSORT	FEDER	MUELLE
012	<b>535031</b>	CRUSCOTTO	CONTROL PANEL	Tableau de Commande	BEDIENUNGSBLENDE	Marco Panel Mandos
013	<b>512441</b>	INTERRUPTORE	SWITCH	INTERRUPTEUR	SCHALTER	INTERRUPTOR
014	<b>591978</b>	CRUSCOTTO	CONTROL PANEL	Tableau de Commande	BEDIENUNGSBLENDE	Marco Panel Mandos
015	<b>535022</b>	MANIGLIA	HANDLE	POIGNEE	GRIFF	MANILLA
016	<b>611852</b>	GRIGLIA	GRID	GRILLE	GITTER	PARRILLA

SUPERCALOR "INT" HG65 Cod.0126165000