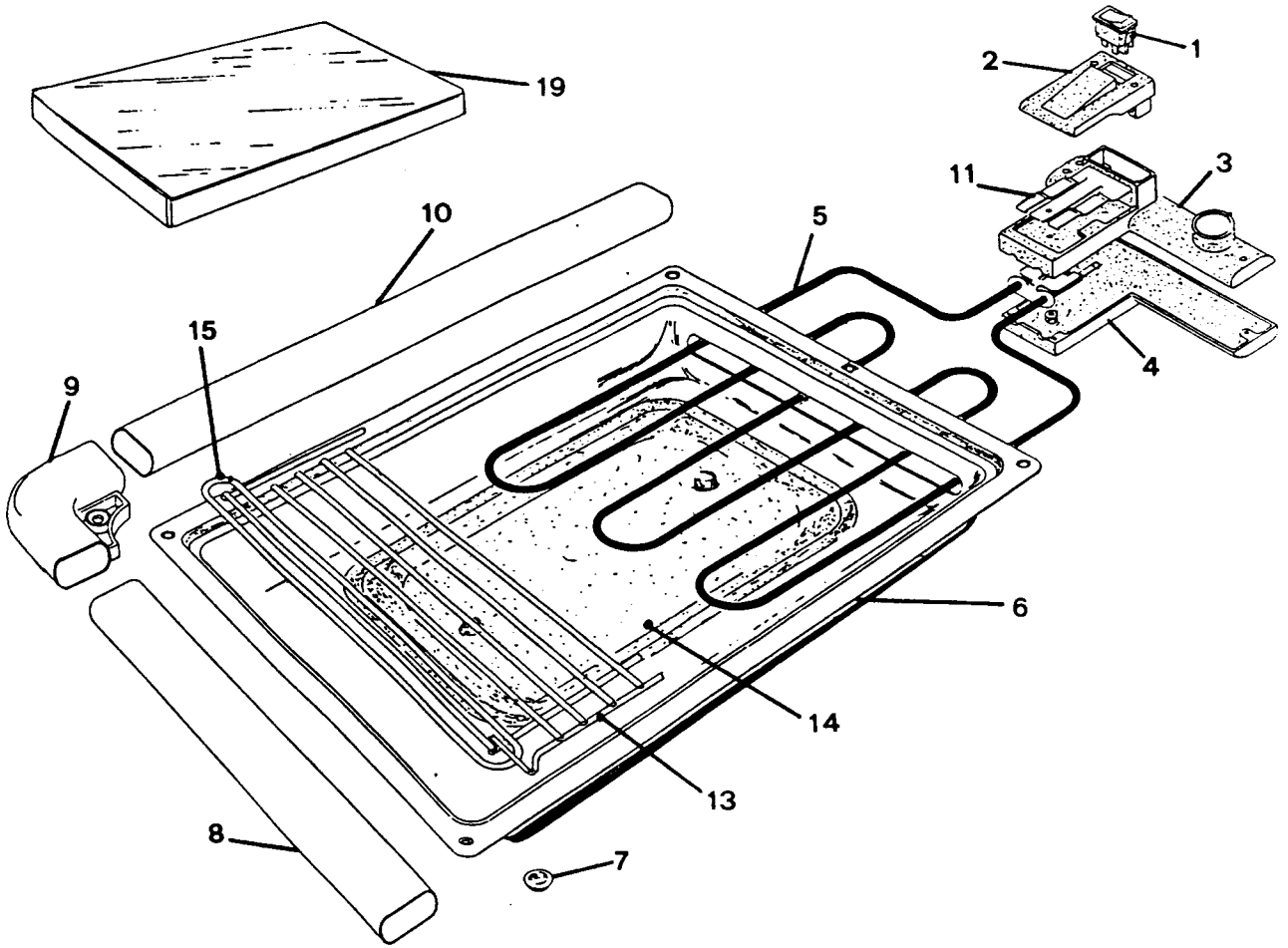




service

0-091002

SIMAC "INT" TB 560



Pos	Codice	Italiano	English	Francais	Deutsch	Espanol
	<b>SC1902203</b>	ISTRUZIONI	INSTRUCTION BOOK	MODE D'EMPLOI	BEDIENUNGSANLEITUNG	ISTRUCCION
	<b>TR1022</b>	SCATOLA IMBALLO	CARTON PACKAGING	CARTON D'EMBALLAGE	VERPACKUNGSKARTON	CAJA EMBALAJE
01	<b>TR1000</b>	INTERRUTTORE	SWITCH	INTERRUPTEUR	SCHALTER	INTERRUPTOR
02	<b>TR1001</b>	SUPPORTO	SUPPORT	SUPPORT	HALTER	SOPORTE
03	<b>TR1002</b>	GUSCIO SUP.	PROTECTION Upper	ENVELOPPE SUP.	GEHAEUSE OBEN	VAINA SUP.
04	<b>TR1003</b>	GUSCIO INF.	PROTECTION LOWER	ENVELOPPE INF.	GEHAEUSE UNTEN	VAINA INF.
05	<b>TR1004</b>	RESISTENZA	HEATING Element	ELEMENT Chauffant	HEIZELEMENT	RESISTENCIA
06	<b>TR1005</b>	BACINELLA	TRAY	BAC	SCHALE	CUBETA
07	<b>TR1006</b>	GOMMINO	RUBBER PAD	PARE CHOCS	PUFFER	GUARNICION
08	<b>TR1007</b>	PROFILO	PROFILE	PROFIL	LEISTE	PERFIL
09	<b>TR1008</b>	INNESTO	COUPLING	EMBRAYAGE	KUPPLUNG	ACOPLAMIENTO
10	<b>TR1009</b>	PROFILO	PROFILE	PROFIL	LEISTE	PERFIL
11	<b>TR1010</b>	MOLLA	SPRING	RESSORT	FEDER	MUELLE
13	<b>TR1011</b>	GRIGLIA COTT.	WIRE RACK	GRILLE	ROST	PARRILLA
14	<b>TR1012</b>	VASSOIO	TRAY	PLATEAU	TABLETT	BANDEA
15	<b>TR1013</b>	TELAIO	FRAME	CHASSIS	RAHMEN	CHASIS

SIMAC 'INT' TB560 Cod.0-091002