

**SCB25CE**

**SCB36CE**

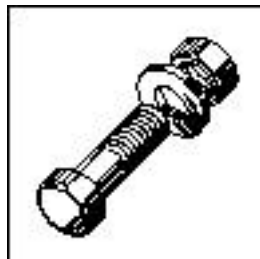
**SCB47CE**

**SCB60CE**

**SCB72CE**

**SCB84CE**

# **Super Charbroiler**



Spare Parts



SCB25CE  
 SCB36CE  
 SCB47CE  
 SCB60CE  
 SCB72CE  
 SCB84CE

## INDEX

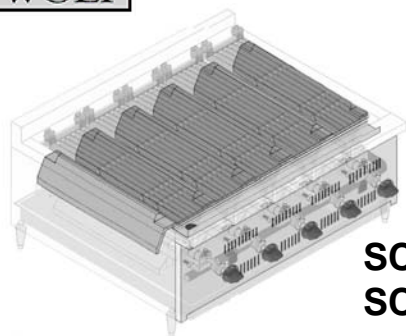
The Wolf Super Char-Broiler has specially designed grates with a cast-in grease trough, steel reflector baffle that creates a cool zone in the grease drawer and drip tray area.

4 models to choose from with 4, 6, 8 or 10 burners, each individually controlled. The burners are rated at 14,500 Btu input for high and immediate heat power.

| Description  | Page    |
|--|---------|
| <b>Technical Specification.....</b>                      | 3 - 4   |
| <b>Burner Assembly.....</b>                              | 5 - 6   |
| <b>Gas Valve &amp; Regulator.....</b>                    | 7 - 8   |
| <b>Pilot Assembly.....</b>                               | 9 - 10  |
| <b>Drip Trays / Panels / Adj-Feet &amp; Brushes.....</b> | 11 - 12 |
| <b>Stands / Tables (Accessories).....</b>                | 13      |

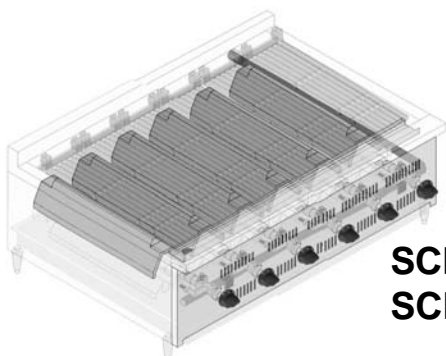


## Technical Specification



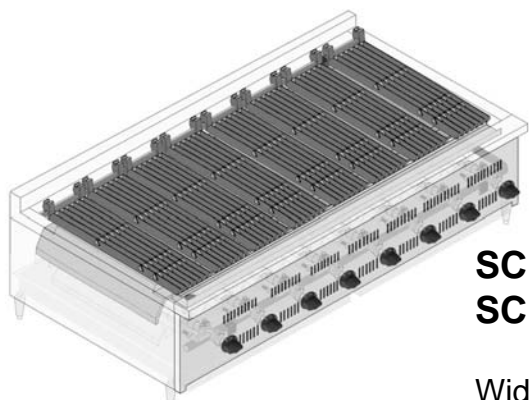
**SCB25CE-1** (Natural Gas)  
**SCB25CE-2** (L.P. Gas)

Width 641mm / Depth 695mm / Height 375mm  
Burners 4  
17.0kW  
Btu Rating 58,000  
Shipping Weight = 115 kg



**SCB36CE-1** (Natural Gas)  
**SCB36CE-2** (L.P. Gas)

Width 915mm / Depth 695mm / Height 375mm  
Burners 6  
25.6kW  
Btu Rating 87,000  
Shipping Weight =161 kg

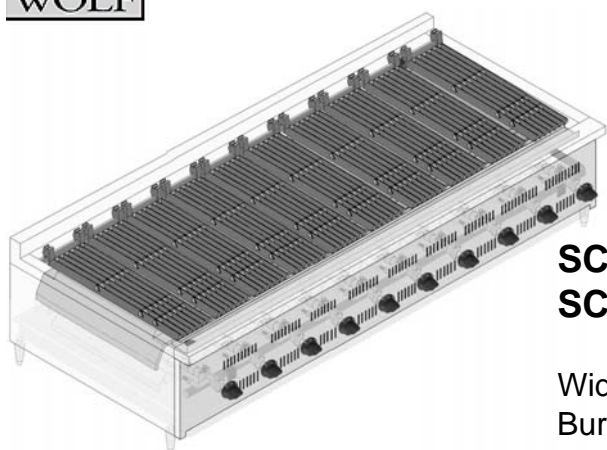


**SCB47CE-1** (Natural Gas)  
**SCB47CE-2** (L.P. Gas)

Width 1188mm / Depth 695mm / Height 375mm  
Burners 8  
34.0kW  
Btu Rating 116,000  
Shipping Weight =230 kg



## Technical Specification



**SCB60CE-1** (Natural Gas)

**SCB60CE-2** (L.P. Gas)

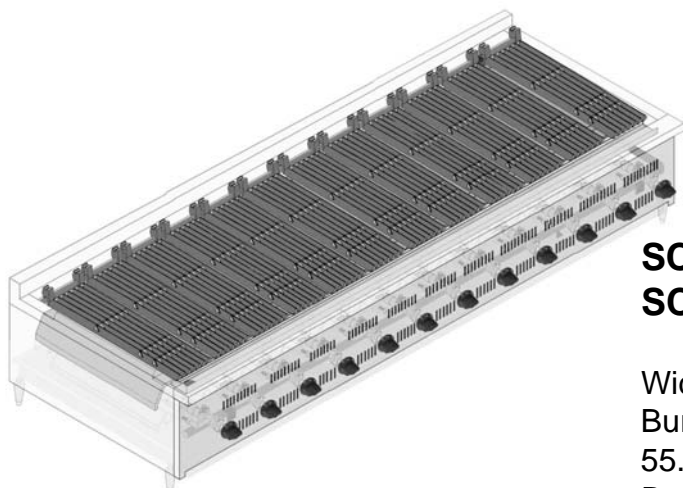
Width 1520mm / Depth 695mm / Height 375mm

Burners 11

46.7kW

Btu Rating 159,000

Shipping Weight =360 kg



**SCB72CE-1** (Natural Gas)

**SCB72CE-2** (L.P. Gas)

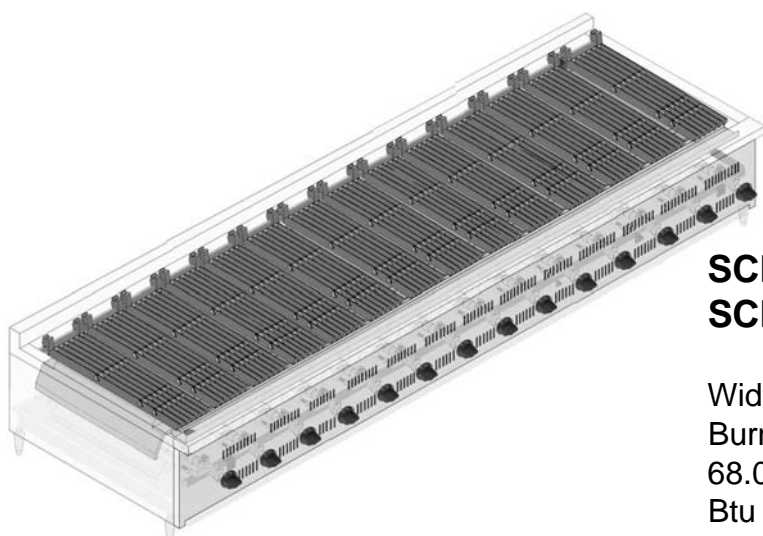
Width 1829mm / Depth 695mm / Height 375mm

Burners 13

55.2kW

Btu Rating 188,500

Shipping Weight =430 kg



**SCB84CE-1** (Natural Gas)

**SCB84CE-2** (L.P. Gas)

Width 2134mm / Depth 695mm / Height 375mm

Burners 16

68.0kW

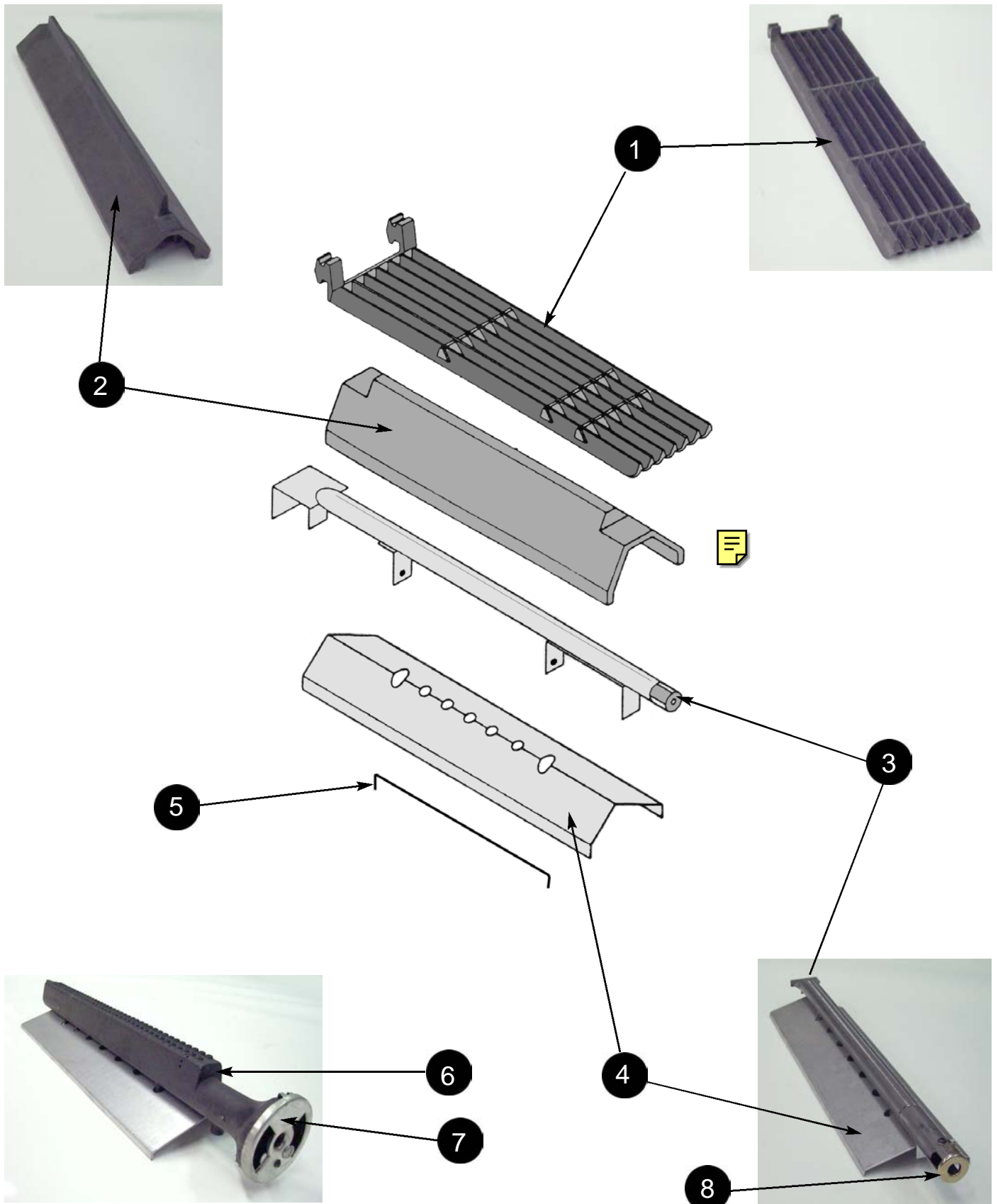
Btu Rating 232,000

Shipping Weight =500 kg



### Burner Assembly

SCB25CE  
SCB36CE  
SCB47CE  
SCB60CE  
SCB72CE  
SCB84CE





## Burner Assembly

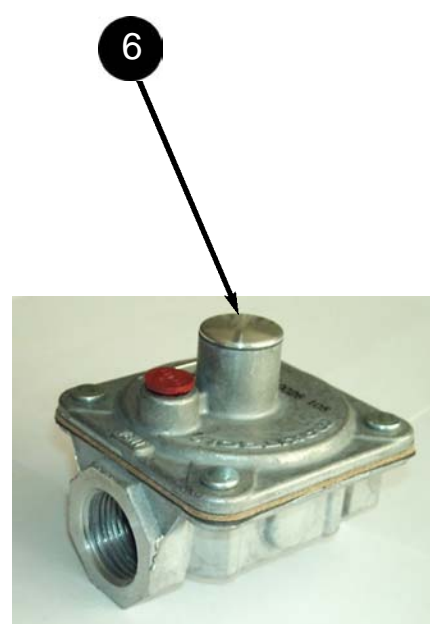
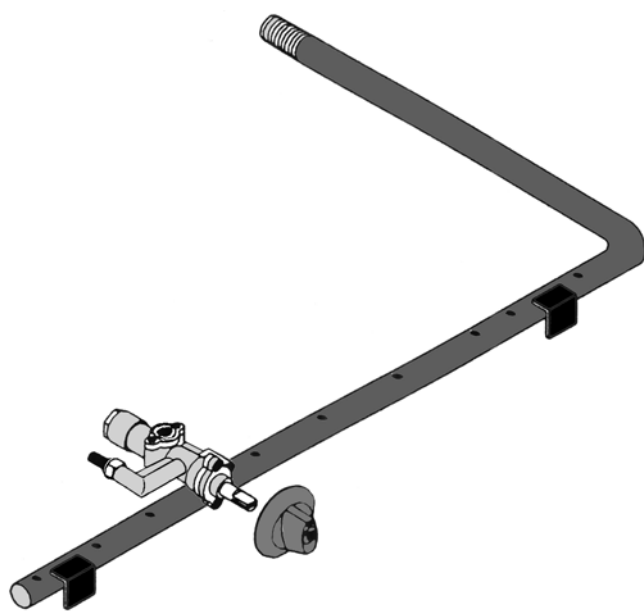
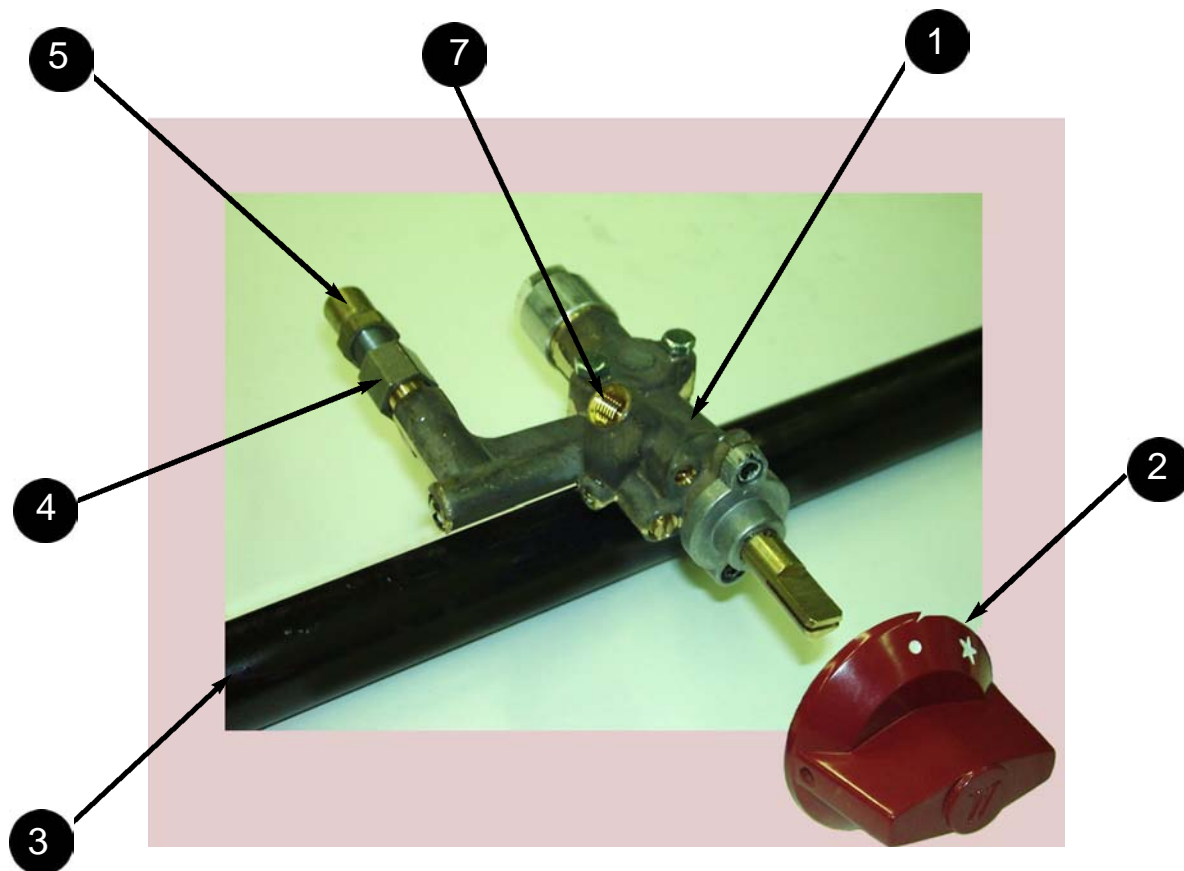
SCB25CE  
SCB36CE  
SCB47CE  
SCB60CE  
SCB72CE  
SCB84CE

| Key No | Part No | Description                            |
|--------|---------|--|
| 1      | 710424  | Grate - Slanted 7 rung                 |
|        | 710423  | Grate - Straight                       |
|        | 722131  | Grate- Slanted 6 rung, end grate       |
| 2      | 710407  | Radiant                                |
| 3      | 710453  | Burner - S/Steel - NAT. GAS 520mm long |
| 4      | 700416  | Heat Deflector - Burner                |
| 5      | 710455  | Rod - Deflector                        |
| 6      | 700871A | Burner Assy - Cast Iron - L.P.G        |
| 7      | 719329  | Air Shutter - L.P.G                    |
| 8      | 719662  | Air Shutter - NAT. GAS                 |



### Gas Valve & Regulator

SCB25CE  
SCB36CE  
SCB47CE  
SCB60CE  
SCB72CE  
SCB84CE





## Gas Valve & Regulator

SCB25CE  
SCB36CE  
SCB47CE  
SCB60CE  
SCB72CE  
SCB84CE

| Key No | Part No  | Description  |
|--------|--|--|
| 1      | 720516-4<br>SP-E-1-7                                     | Gas Valve - Left Hand<br>Magnet unit ,gas valve  |
| 2      | 719255-3   | Knob - Gas Valve (C/W grub screw)  |
| 3      | 722446<br>722448<br>722449<br>722450<br>722451<br>722452 | Manifold Pipe with Angle Bracket - SCB25CE<br>Manifold Pipe with Angle Bracket - SCB36CE<br>Manifold Pipe with Angle Bracket - SCB47CE<br>Manifold Pipe with Angle Bracket - SCB60CE<br>Manifold Pipe with Angle Bracket - SCB72CE<br>Manifold Pipe with Angle Bracket - SCB84CE |
| 4      | 719192   | Adaptor - Orifice Extention  |
| 5      | 719951-51<br>719951-57                                   | Injector - NAT. GAS<br>Injector - L.P.G.   |
| 6      | 720722<br>720723   | Regulator - NAT. GAS<br>Regulator - L.P.G  |
| 7      | 720888<br>720889   | Nut - Pilot Tube 3/16 M8 Fitting ( not shown on drawing, fit item 1 )<br>Olive - Pilot Tube ( not shown on drawing , fit item 1 )  |

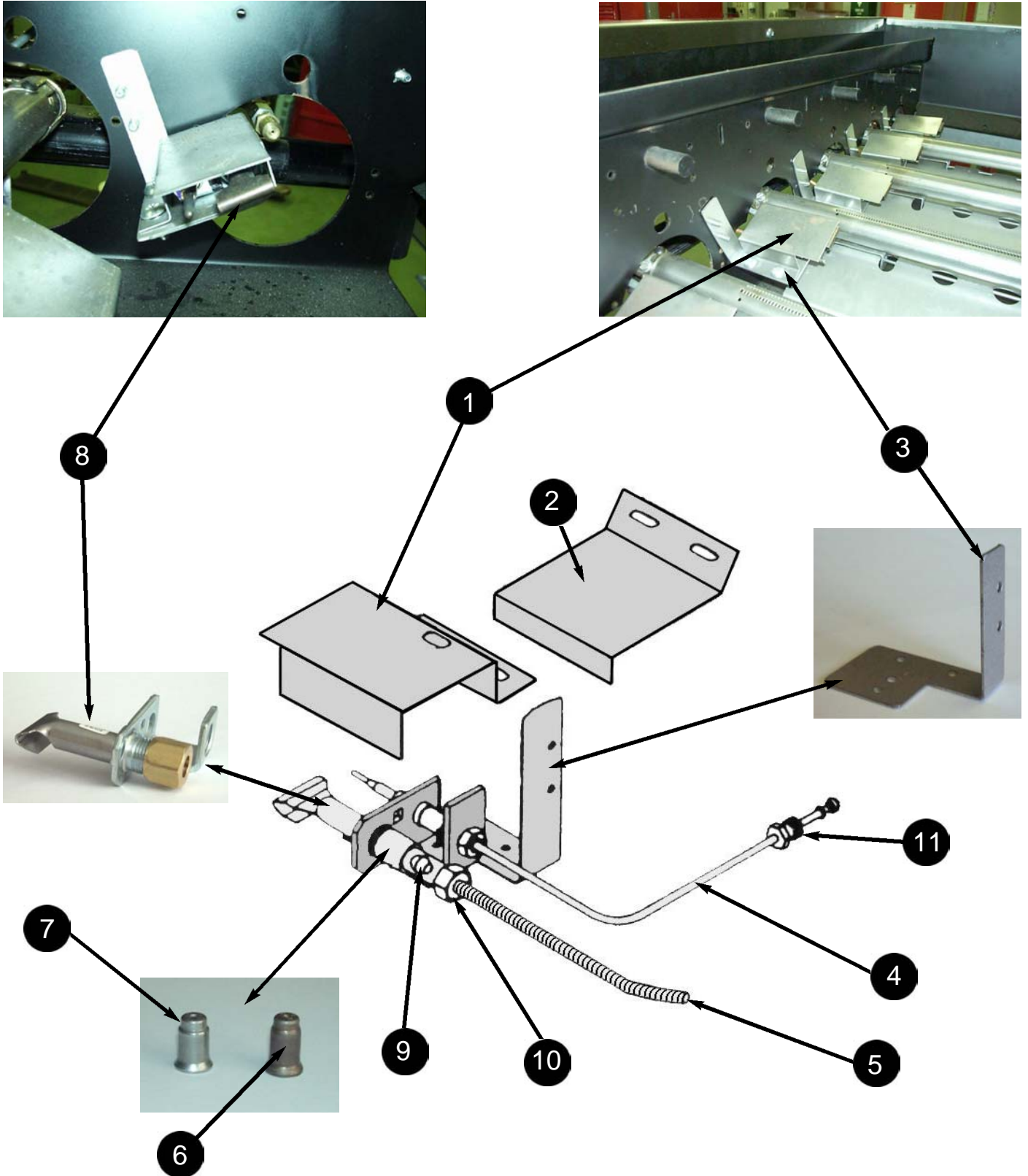




### Pilot Assembly

SCB25CE  
SCB36CE  
SCB47CE  
SCB60CE  
SCB72CE  
SCB84CE

# DRAFT COPY





## Pilot Assembly

SCB25CE  
 SCB36CE  
 SCB47CE  
 SCB60CE  
 SCB72CE  
 SCB84CE

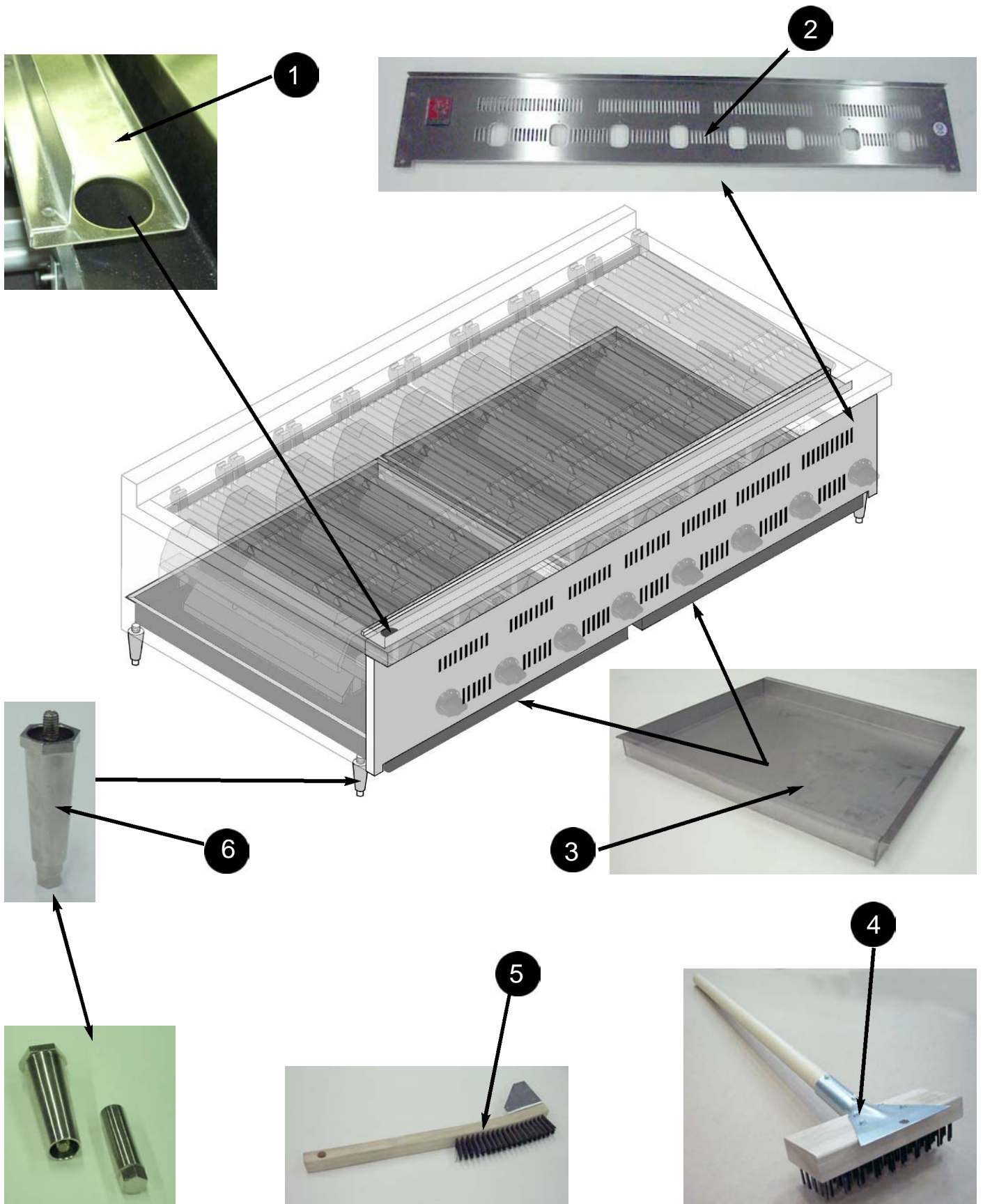
| Key No | Part No   | Description  |
|--------|-----------|--|
| 1      | 769805    | Shield - Thermocouple  |
| 2      | 769806    | Shield - Thermocouple ( For End Burners )  |
| 3      | 769961    | Bracket - Pilot  |
| 4      | GE-E-1-37 | Thermocouple - Long Life - 320mm<br>NOTE: If you have an earlier style Thermocouple you will need to up-grade to a Long Life ( as above ). |
| 5      | 723378    | 3/16 Flex Tubing 6"  |
|        | 723379    | 3/16 Flex Tubing 12"   |
|        | 723380    | 3/16 Flex Tubing 18"   |
|        | 723381    | 3/16 Flex Tubing 24"   |
|        | 723382    | 3/16 Flex Tubing 30"   |
|        | 723383    | 3/16 Flex Tubing 36"   |
|        | 723384    | 3/16 Flex Tubing 42"   |
|        | 723385    | 3/16 Flex Tubing 48"   |
| 6      | 711339-P  | Pilot Injector - L.P.G - 1.0P  |
| 7      | 711339-N  | Pilot Injector - NAT GAS - 1.8N  |
| 8      | 714269    | Pilot Burner (Items 9 and 10 must also be ordered with this part.)   |
| 9      | 714200    | Ferrule - Pilot  |
| 10     | 722466    | Nut - Pilot  |
| 11     | GE-E-1-36 | M8 Split Nut ( STD )<br>OR   |
|        | GE-E-1-38 | Magnet Unit M9   |
|        | GE-E-1-39 | Split Nut M9   |



### Drip Trays / Panels / Adj-Feet & Brushes

D

SCB25CE  
SCB36CE  
SCB47CE  
SCB60CE  
SCB72CE  
SCB84CE





**Drip Trays / Panels / Adj-Feet & Brushes**

SCB25CE  
 SCB36CE  
 SCB47CE  
 SCB60CE  
 SCB72CE  
 SCB84CE

| Key No | Part No  | Description                                 |
|--------|----------|---|
| 1      | 700868-A | Grease Insert Channel - SCB25CE             |
|        | 700894-A | Grease Insert Channel - SCB36CE             |
|        | 700917-A | Grease Insert Channel - SCB47CE             |
|        | 700986-A | Grease Insert Channel - SCB60CE             |
|        | 701163-A | Grease Insert Channel - SCB72CE             |
|        | ???????  | Grease Insert Channel - SCB84CE             |
| 2      | 768479   | Front Panel - SCB25CE                       |
|        | 768481   | Front Panel - SCB36CE                       |
|        | 768482   | Front Panel - SCB47CE                       |
|        | 766172   | Front Panel - SCB60CE                       |
|        | 766173   | Front Panel - SCB72CE                       |
|        | 766174   | Front Panel - SCB84CE                       |
| 3      | 765335-A | Drip Tray - SCB25CE x 1                     |
|        | 765334-A | Drip Tray - SCB36CE x 1                     |
|        | 765335-A | Drip Tray - SCB47CE x 2                     |
|        | 765334-A | Drip Tray - SCB60CE x 2                     |
|        | 765337-A | Drip Tray - SCB72CE x 2                     |
|        | 765338-A | Drip Tray - SCB84CE x 2                     |
| 4      | 720432   | Cleaning Brush - De-Lox Course - STD - Bass |
|        | 720431   | Cleaning Brush - Fine                       |
| 5      | 710412   | Cleaning Brush ( supplied with machine )    |
| 6      | 719260   | Adjustable Feet - 4"                        |
|        | 715132   | Castor-Brake 5"                             |
|        | 715131   | Castor-non Brake 5"                         |



## Accessories

### Stands / Tables

SCB25CE  
 SCB36CE  
 SCB47CE  
 SCB60CE  
 SCB72CE  
 SCB84CE

| Part No   | Description                         |
|-----------|-------------------------------------|
| ML-109150 | 610mm Wide Mobile Table             |
| ML-109151 | 610mm Wide Static Table + Adj Feet  |
| ML-109152 | 914mm Wide Mobile Table             |
| ML-109153 | 914mm Wide Static Table + Adj Feet  |
| ML-109154 | 1220mm Wide Mobile Table            |
| ML-109155 | 1220mm Wide Static Table + Adj Feet |
| ML-109156 | 1524mm Wide Mobile Table            |
| ML-109157 | 1524mm Wide Static Table + Adj Feet |
| ML-109158 | 1829mm Wide Mobile Table            |
| ML-109159 | 1829mm Wide Static Table + Adj Feet |

## SCB'S NEW PARTS

10/10/03 / Steve Farajian

| PART#      | DESCRIPTION                       | MODEL / QTY  |
|------------|-----------------------------------|--|
| 769962-1   | Bracket LH, Front Panel Extension | All / 1  |
| 769963-1   | Bracket RH, Front Panel Extension | All / 1  |
| 756356A3   | CENTER DRIP PAN GUIDE             | SCB47, 60, 72, 84, 96 / 1                                      |
| 764578-3A  | FRONT ANGLE BAR                   | SCB25 / 1  |
| 764579-3A  | FRONT ANGLE BAR                   | SCB30 / 1  |
| 764580-3A  | FRONT ANGLE BAR                   | SCB36 / 1  |
| 764 581-3A | FRONT ANGLE BAR                   | SCB47 / 1  |
| 764582-3A  | FRONT ANGLE BAR                   | SCB60 / 1  |
| 764583-3A  | FRONT ANGLE BAR                   | SCB72 / 1  |
| 764584-3A  | FRONT ANGLE BAR                   | SCB84 / 1  |
| 764598-3A  | FRONT ANGLE BAR                   | SCB96 / 1  |
| 788133-1   | BAFFLE, HEAT DEFLECTOR            | SCB25 / 1  |
| 788134-1   | BAFFLE, HEAT DEFLECTOR            | SCB30 / 1  |
| 788126-1   | BAFFLE, HEAT DEFLECTOR            | SCB36 / 1  |
| 788135-1   | BAFFLE, HEAT DEFLECTOR            | SCB47 / 1  |
| 788136-1   | BAFFLE, HEAT DEFLECTOR            | SCB60 / 1  |
| 788137-1   | BAFFLE, HEAT DEFLECTOR            | SCB72 / 1  |
| 788138-1   | BAFFLE, HEAT DEFLECTOR            | SCB84 / 1  |
| 788139-1   | BAFFLE, HEAT DEFLECTOR            | SCB96 / 1  |
| 700475-3   | TOP FRONT FRAME                   | SCB25 / 1  |
| 700474-3   | TOP FRONT FRAME                   | SCB30 / 1  |
| 700473-3   | TOP FRONT FRAME                   | SCB36 / 1  |
| 700471-3   | TOP FRONT FRAME                   | SCB47 / 1  |
| 700836-3   | TOP FRONT FRAME                   | SCB60 / 1  |
| 700803-3   | TOP FRONT FRAME                   | SCB72 / 1  |
| 701245-3   | TOP FRONT FRAME                   | SCB84 / 1  |
| 758344-3   | TOP FRONT FRAME                   | SCB96 / 1  |
| 719192     | ADAPTER,VALVE-1/2HX-3/8-27        | SCB25, 30, 36, 47, 60, 72, 84, 96 / 4, 5, 6, 8, 10, 12, 14, 16 |
| 710453-1   | BURNER SST, VC SERIES 590mm long  | SCB25, 30, 36, 47, 60, 72, 84, 96 / 4, 5, 6, 8, 10, 12, 14, 16 |
| 723400-1   | THERMOCOUPLE, 320MM               | SCB25, 30, 36, 47, 60, 72, 84, 96 / 4, 5, 6, 8, 10, 12, 14, 16 |
| 723379     | TUBING (PILOT) ,FLEX 3/16- 12"    | SCB25, 30, 36, 47, 60, 72, 84, 96 / 4, 5, 6, 8, 10, 12, 14, 16 |

## EXISTING PARTS

720516-1  
766178A

VALVE, LH  
PILOT ASSEMBLY

SCB25, 30, 36, 47, 60, 72, 84, 96 / 4, 5, 6, 8, 10, 12, 14, 16  
SCB25, 30, 36, 47, 60, 72, 84, 96 / 4, 5, 6, 8, 10, 12, 14, 16

DRAFT ONLY



As continued product improvement is a policy of WOLF, specifications are subject to change without notice.