

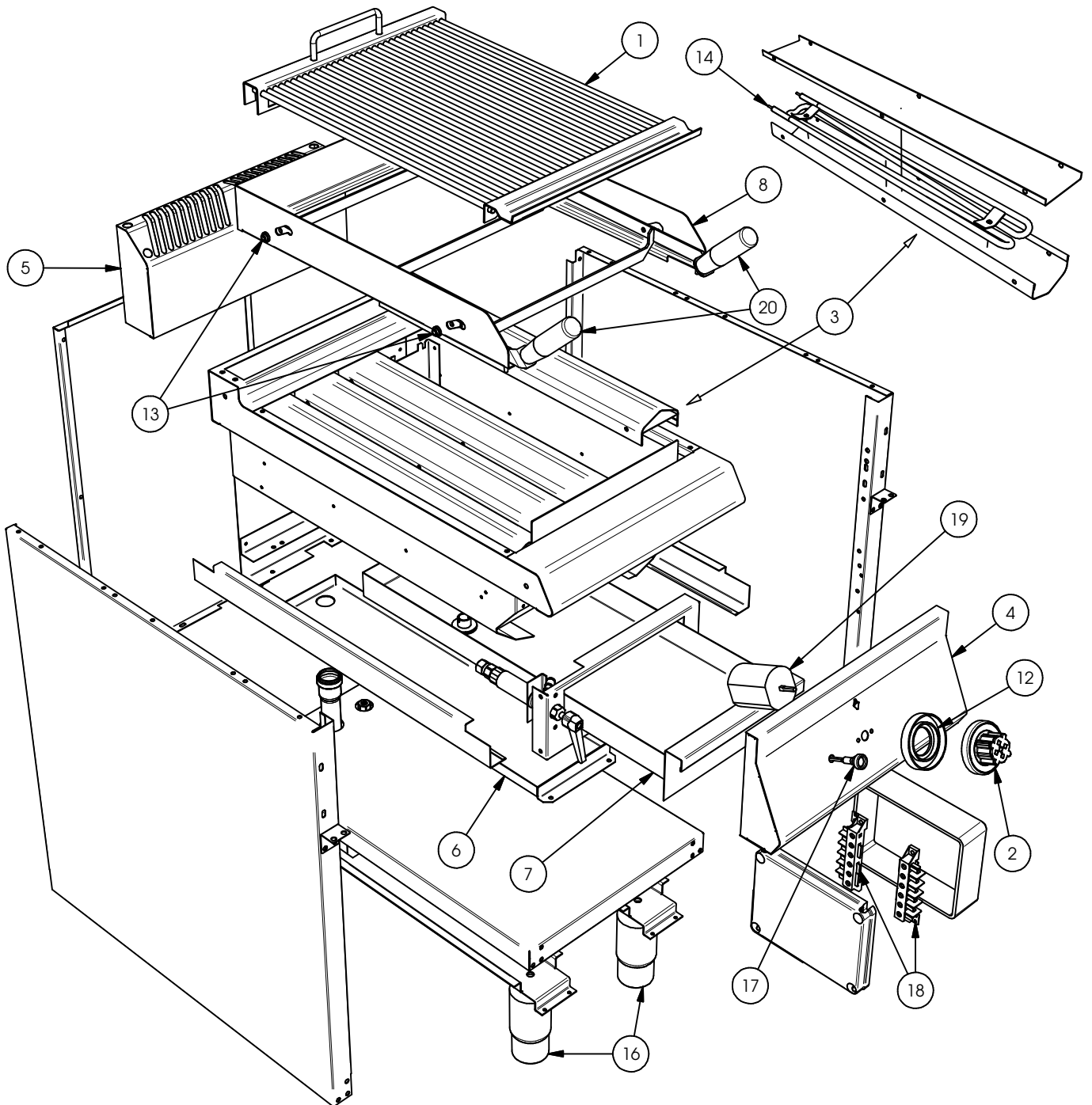
**TAVOLA / DRAWING 1591**

**MOD. 7GRE40**

**COD. 341807**

**GRIGLIA RADIANTE ELETTRICA S.700S**

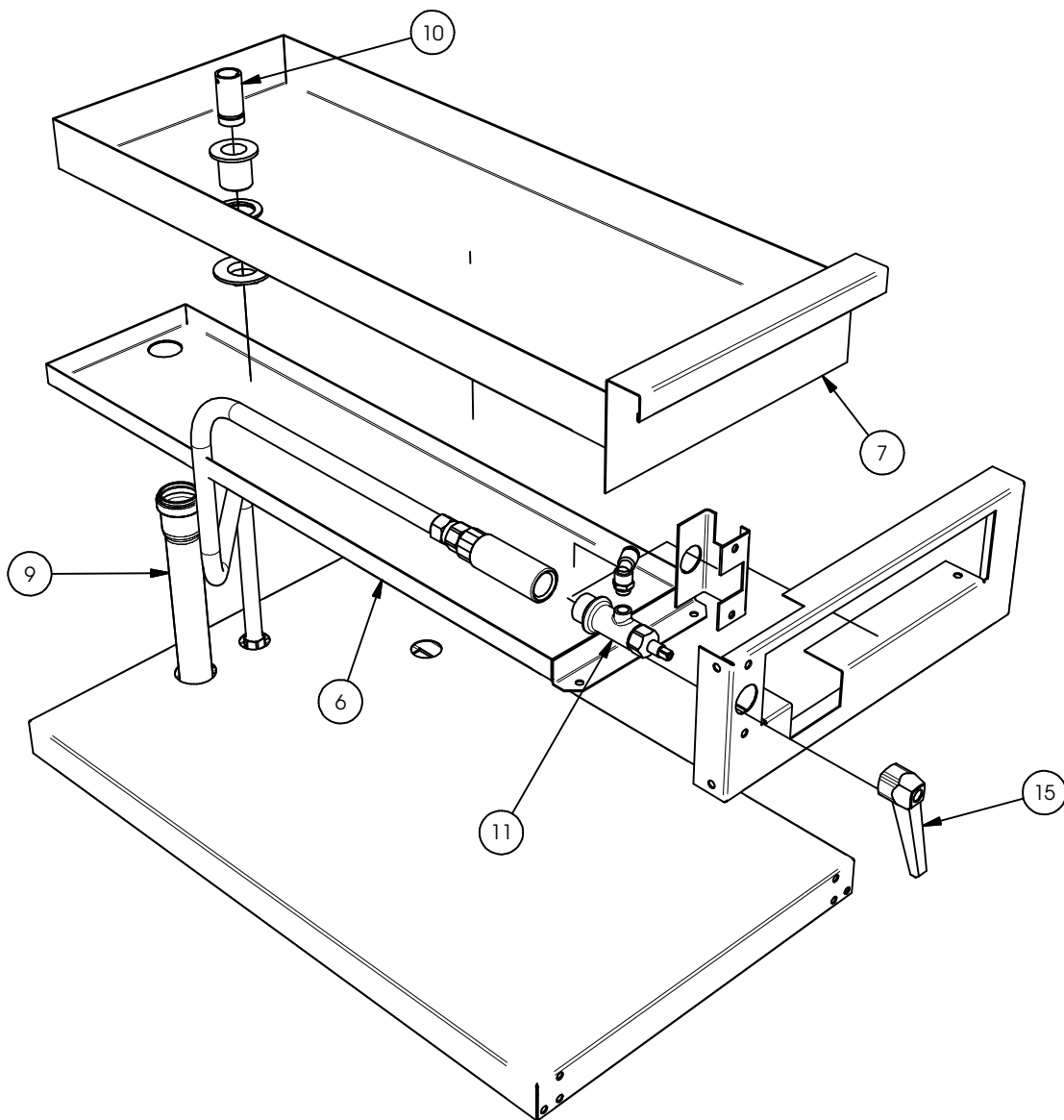
**GRILLES FOR WATER RADIATORS 700 SERIES**



# TAVOLA / DRAWING 1591

MOD. 7GRE40

GRUPPO ACQUA/WATER GROUP



1	341927	GRIGLIATO PESCE PER 7GRG GRP74	GRILLS FOR FISH
2	401469	MANOPOLA COM.INTER. FRIG.ELET.STILE	KNOB FOR GAS TAP 21S
3	4031231	UNITA' RADIANTE S.70	HEATING UNIT S.70
4	4105946	CRUSCOTTO COM.ASS.GRE 400 7/9S	FRONT PANEL
5	4302275	SCARICO FUMO ASS. ASOLE 400 STILE	EXHAUST GRATE
6	4400005	BACINELLA FISSA ASSEM. GRG S.700S	FIXED TRAY
7	4400007	BACINELLA ASS. ACQUA GRG 400 S.700S	EXTRACTABLE TRAY FOR WATER
8	4610601	PARASPRUZZI GRIGLIA RAD. 400 S.700S	SPLASH GUARDS 7GRG40
9	815151	TUBO SCARICO PLST DIAM.32X500	DRAIN HOSE
10	833459	TUBO TROPPO P.INOX 40MM CON GANCIO	OVERFLOW PIPE
11	833475	RUBINETTO LIV.SENZA VOLANT.E VITE	WATER FILL
12	835575	GHIERA PLAST.ROSSA X MANOP.ELE.13H	PLASTIC COVER FOR KNOB
13	841331	BOCCOLA SCORRIMENTO GRIGLIATO GRE	BUSH SLIDE
14	843665	RESISTENZA EL.230V 1600W GRE S.70	HEATING ELEMENT 230V 1600W
15	844283	MANIGLIA A LEVA FORO 6X6 39121	LEVER HANDLES MF.63 N-6X6
16	844380	PIEDE 2"INOX 145-200 EP1XBXMBONNSV	2" STAINLESS STEEL FOOT
17	849411	SPIA VERDE V.220	GREEN WARNING LIGHT 220V
18	849517	MORSETTIERA 6 POLI FV122/6/40A	TERMINAL BOARD
19	862325	INTERR.RE 4X40A 2 POSIZIONI 6030003	2 POSITIONS SWITCH
20	898989	MANICO NERO CUOCIIPASTA M8 ACQ0008	FIXED HANDLES