

TAVOLA / DRAWING 1603

MOD. 8GRG80

COD. 341865

GRIGLIA RADIANTE
AD ACQUA S.980S
GRILLES FOR WATER
RADIATORS S.980S

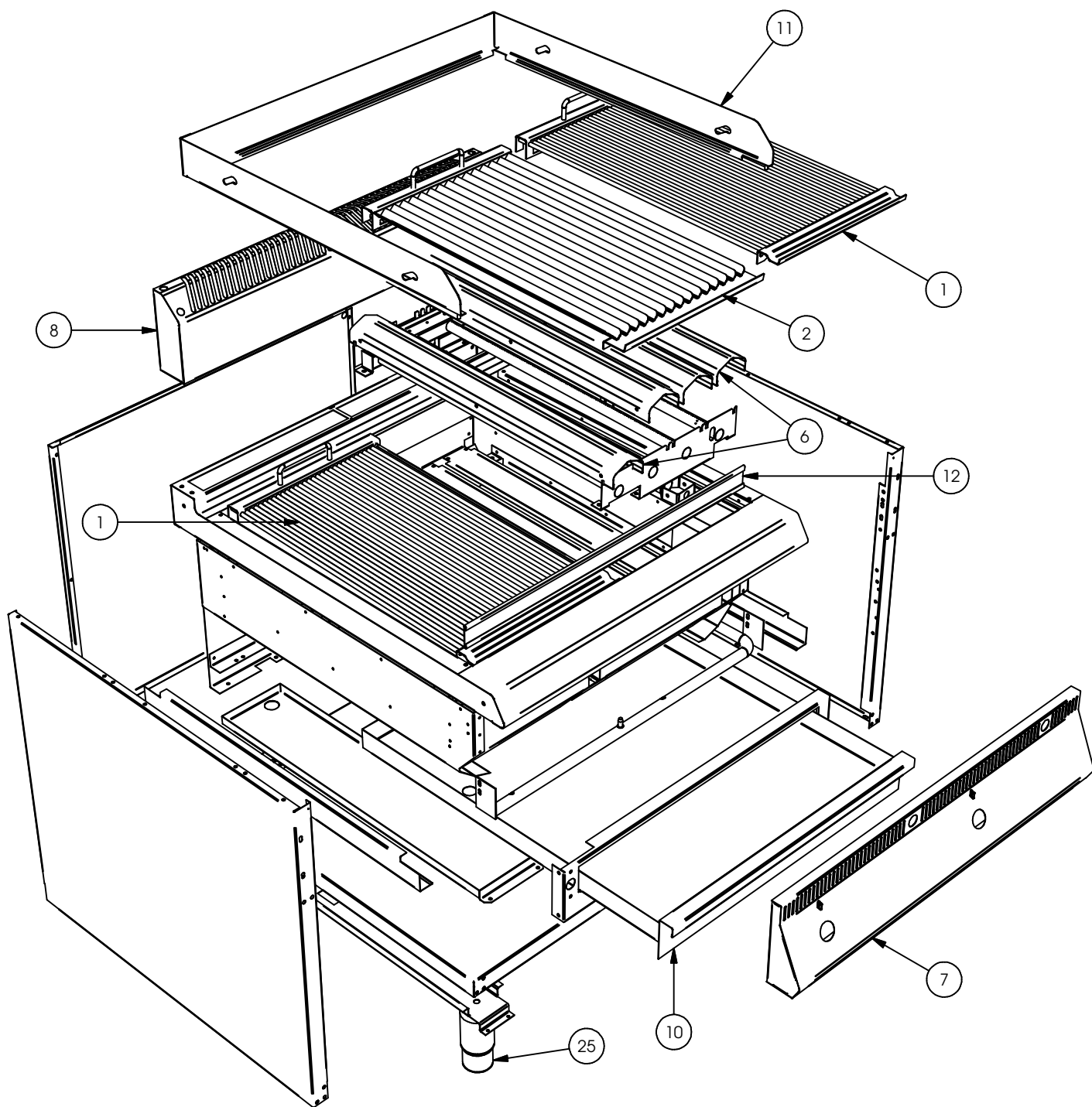
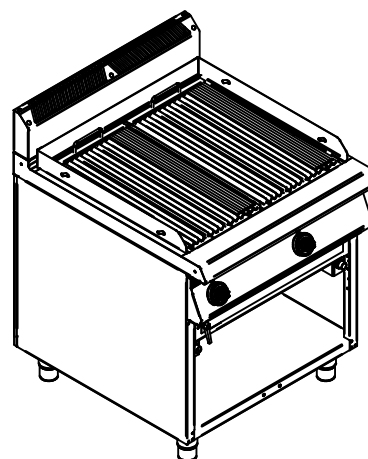


TAVOLA / DRAWING 1603

MOD. 8GRG80

GRUPPO ACQUA / WATER GROUP

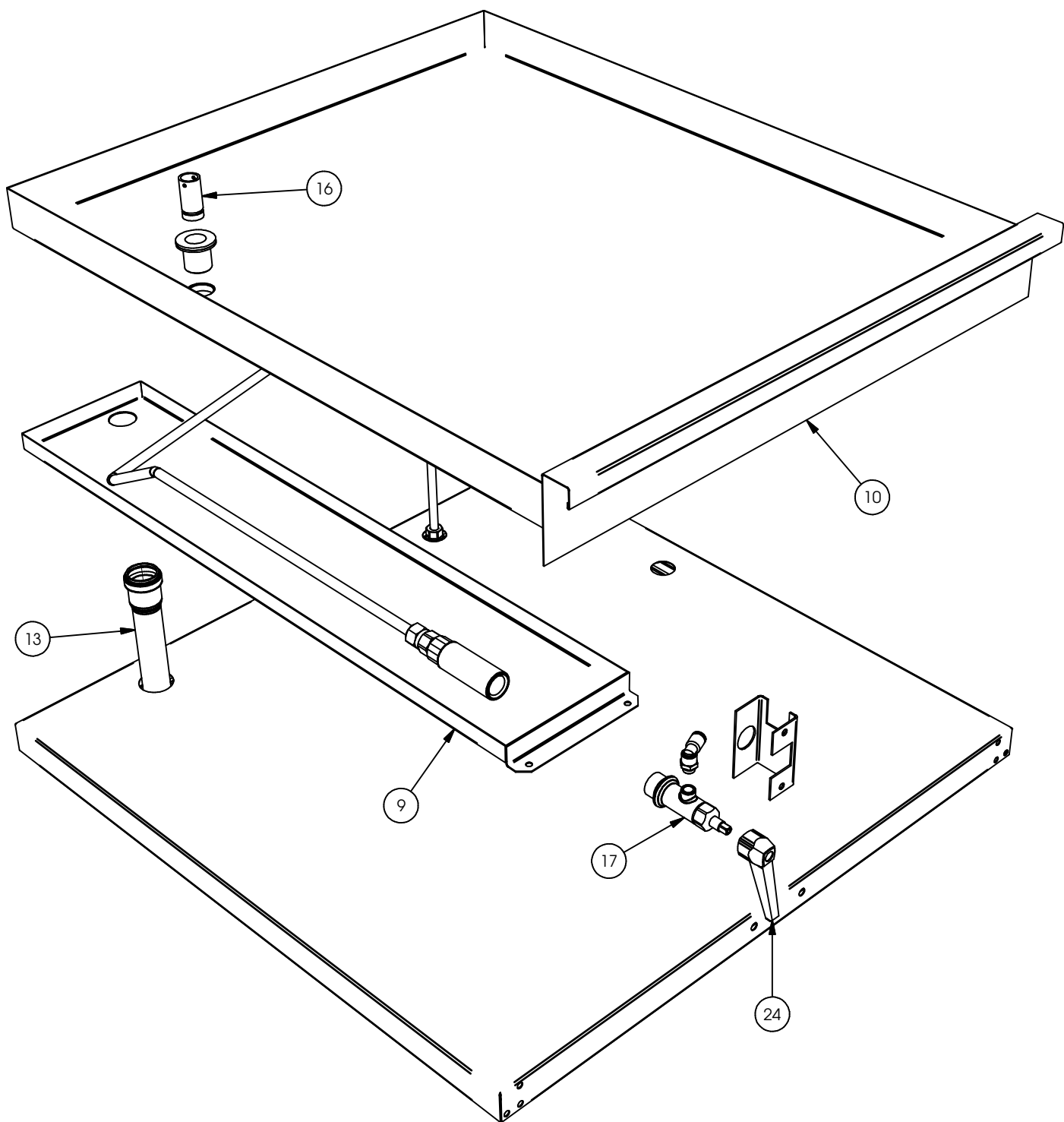
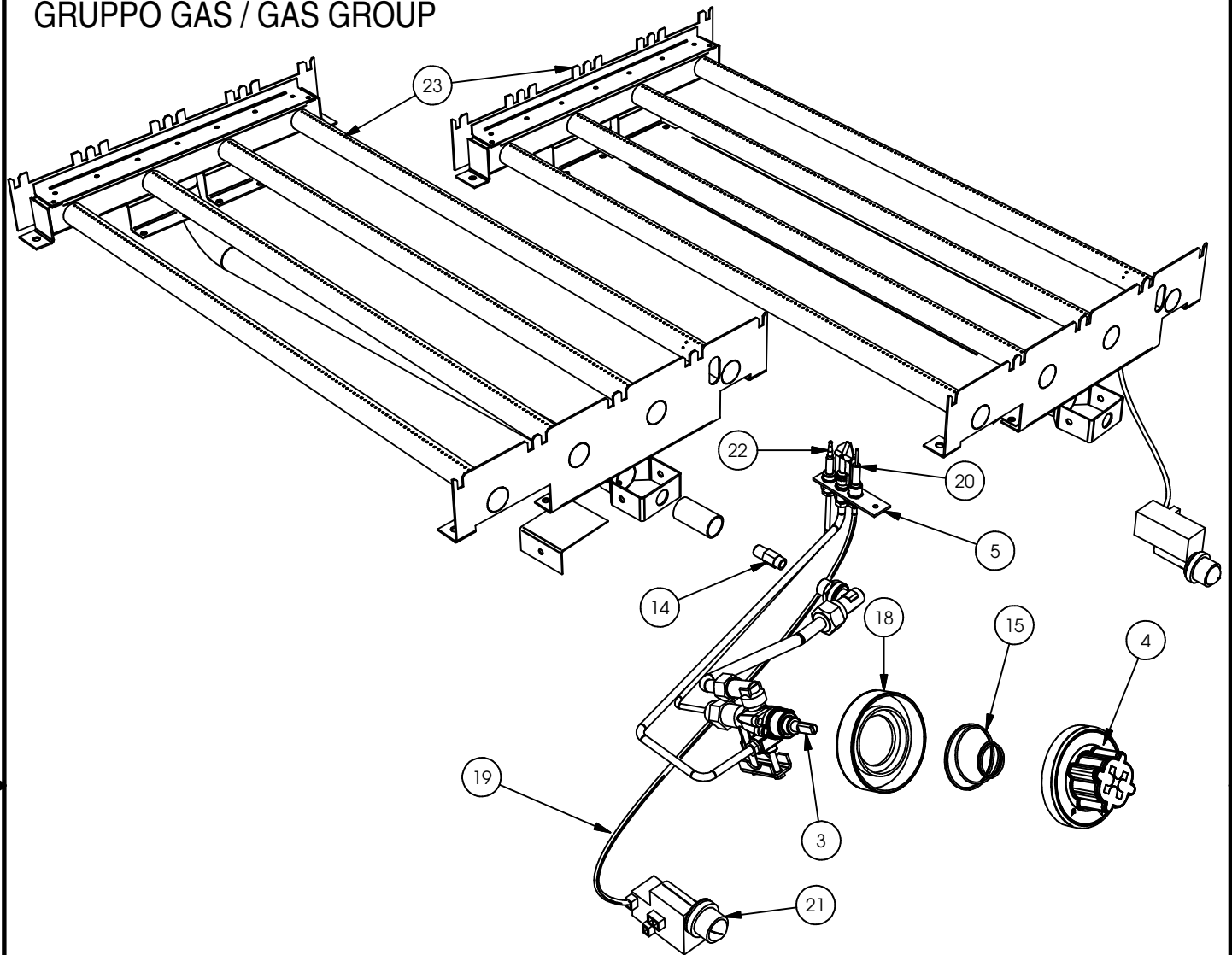


TAVOLA / DRAWING 1603

MOD. 8GRG80

GRUPPO GAS / GAS GROUP



1	341959	GRIGLIATO PESCE PER 8GRG GRP84	GRILLS FOR FISH
2	341969	GRIGLIATO CARNE PER 8GRG GRC84	GRILLS FOR MEAT
3	401121	RUBIN.GAS COLL.COMP.RACC.21S S7/9S	GAS TAP 21/S WITH FITTINGS
4	401405	MANOPOLA COMPLETA RUB.GAS 21S S.7/9	KNOB FOR GAS TAP 21S
5	403111	BRUCIAT.PIL.3 VIE COMP.RACC.CUOCIP.	PILOT BURNER 3 WAY
6	4031255	ELEMENTO RADIANTE GRIGLIA S.980S	RADIANT ELEMENT S.980S
7	4105949	CRUSCOTTO COM.ASS. GRG 800 700/980S	FRONT PANEL
8	4302276	SCARICO FUMO ASS. ASOLE 800 STILE	EXHAUST GRATE
9	4400003	BACINELLA FISSA ASSEM. GRG S.980S	FIXED TRAY
10	4400006	BACINELLA ASS. ACQUA GRG 800 S.980S	EXTRACTABLE TRAY FOR WATER
11	4610615	PARASPRUZZI GRIGLIA RAD. 800 S.980S	SPLASH GUARDS 8GRG80
12	5709012	ALLINEATORE ESTR.ELEM.RAD. GRG 800	RADIANT ELEMENTS ALIGNER 800
13	815151	TUBO SCARICO PLST DIAM.32X500	DRAIN HOSE
14	829350	UGELLO OTT.CH12X30 M10X1 "GENERICO"	LONG BURNER INJECTOR
15	829671	MOLLA CONICA INOX A COMPR.D.1.20	CONICAL SPRING FOR KNOB
16	833459	TUBO TROPPO P.INOX 40MM CON GANCIO	OVERFLOW PIPE
17	833475	RUBINETTO LIV.SENZA VOLANT.E VITE	WATER FILL
18	835571	GHIERA PLAST.CHIUSURA MANOP.GAS.17H	PLASTIC COVER FOR KNOB
19	835893	CAVO X ACCENS.A PILA 500MM 0028651	IGNITION CABLE
20	835915	CANDELA PIEZO DRI.(FRY-TOP) 0915015	PIEZO SPARK PLUG
21	835925	ACCENSIONE A PILA 72606505000	SWITCHING TO BATTERY
22	837233	TERMOCOPPIA QUICK DA 320 0290012	THERMOCOUPLE CM32
23	841001	BRUCIATORE GRIGLIA RAD.GRG S.980S	GRG S.980S BURNER
24	844283	MANIGLIA A LEVA FORO 6X6 39121	LEVER HANDLES MF.63 N-6X6
25	844380	PIEDE 2"INOX 145-200 EP1XBMBONNSV	2" STAINLESS STEEL FOOT