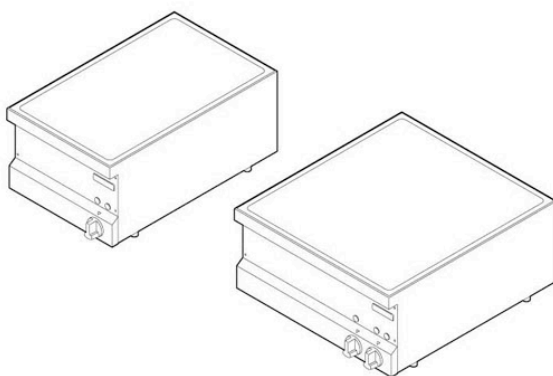


Ersatzteilkatalog

Spare parts list

PALUX BistroLine
PALUX BistroLinePlus



Dieser Ersatzteilkatalog ist gültig / this spare part catalogue is valid

für / for BistroLine

- ab Baujahr 2005 / since 2005

- ab Geräte-Nr. 386290 / since mach.-nr. 386290

Typenübersicht / Type overview

Fritteuse / Deep Fat Fryer

Einbecken-Fritteuse: 859311, 863203, 865745

Zweibecken-Fritteuse: 859338, 863211, 865753

Frittenwanne / Chip Scuttle

859346, 863823

Kocher / Cooker

859362, 863238, 865826

Wasserbad / Bain Marie

859354, 863246, 865796

Bräter / Pan

Bräter 400: 859397, 863874, 865842

Bräter 600: 859400, 863882, 865869

Bratplatte / Griddle Plate

Bratplatte 400: 859427, 863890, 867896

Bratplatte 600: 859435, 863904, 867918

Steakgrill / Steak grill

Steakgrill 400: 859370, 863858, 868027

Steakgrill 600: 859389, 865869, 868035

Ceranherd / Ceramic Range

859451, 863912, 865877

Ceranherd flächenbündig: 922498, 922455

Induktionsherd / Induction Range

Induktionsherd 1: 859486, 863920, 865885

Induktionsherd 2: 859494, 836939, 865893

Induktionsherd flächenbündig: 922463, 922471, 922439, 922447

Induktionswok / Induction Wok

Induktions-Wok 1: 859524, 863947, 865907

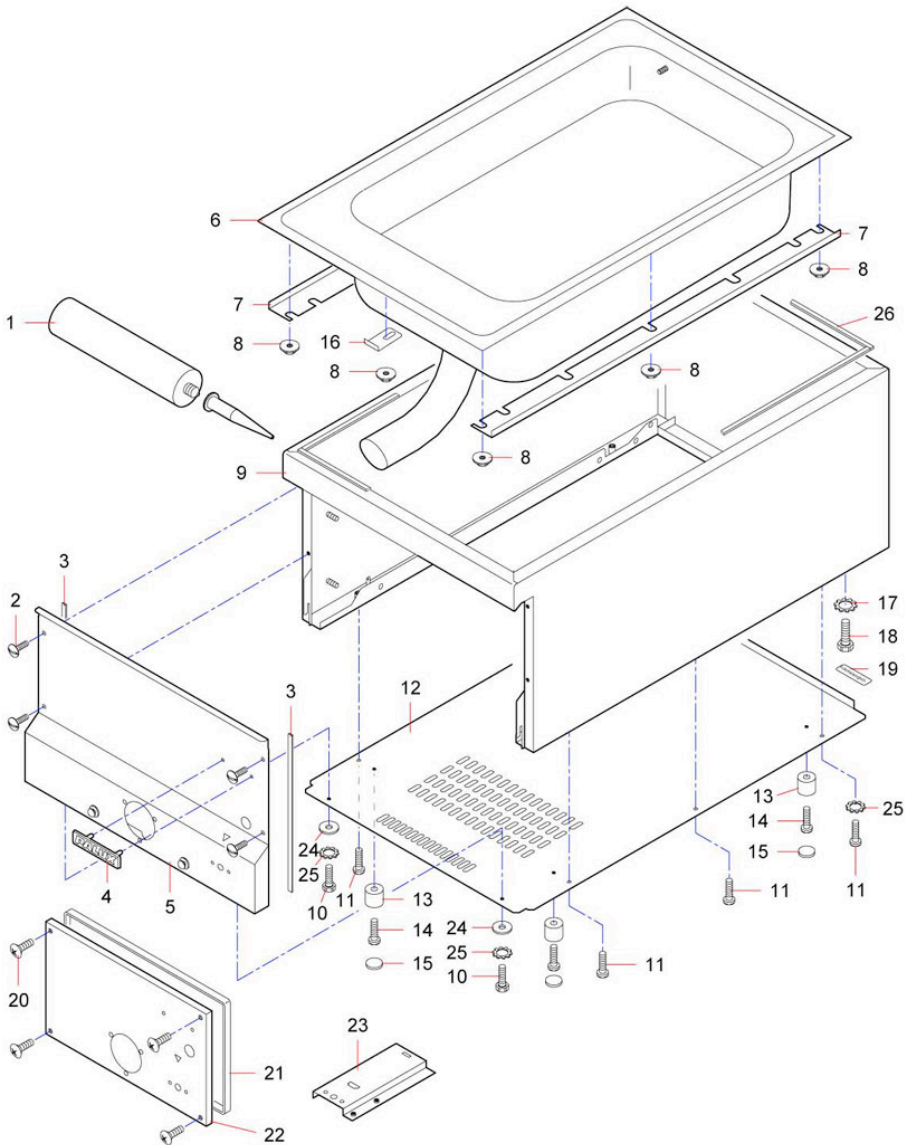
Induktions-Wok 2: 859532, 863955, 895915

Gasherd / Gas Range

DE 859540, 863963, 868043; UK 920819, 920843, 920886;

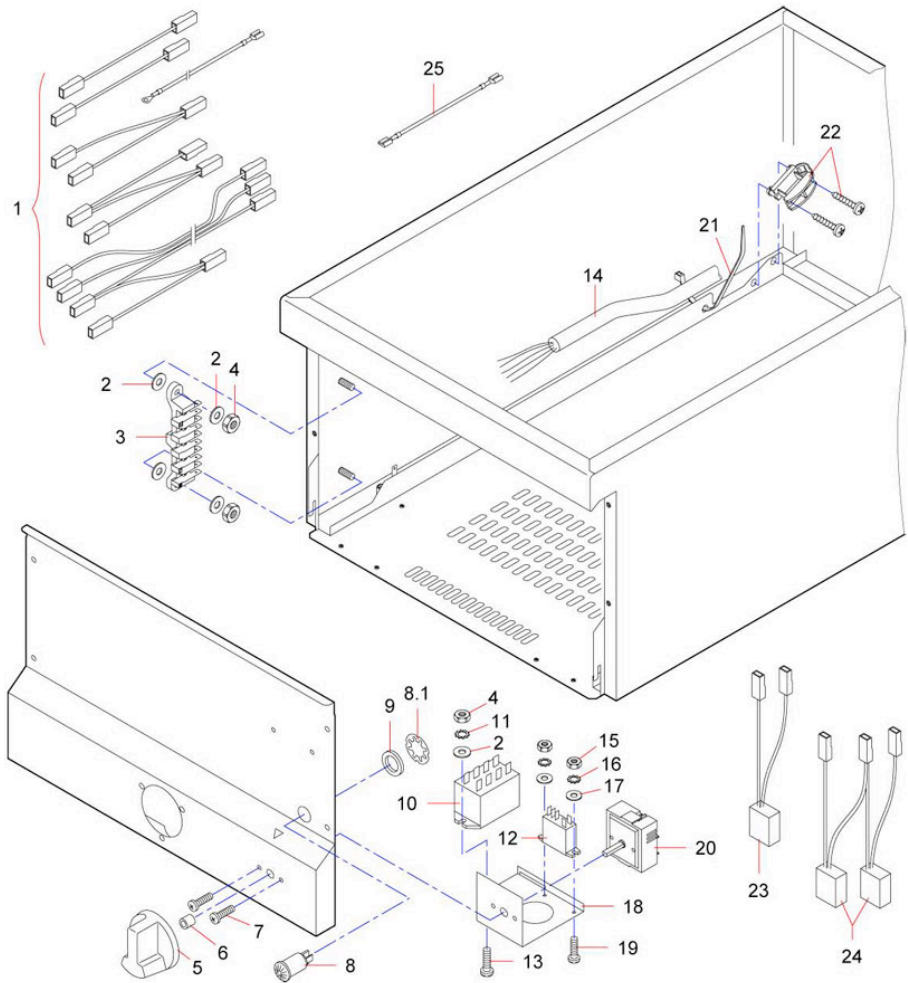
FR 920800, 920835, 920876; NL 920789, 920827, 920851

housing



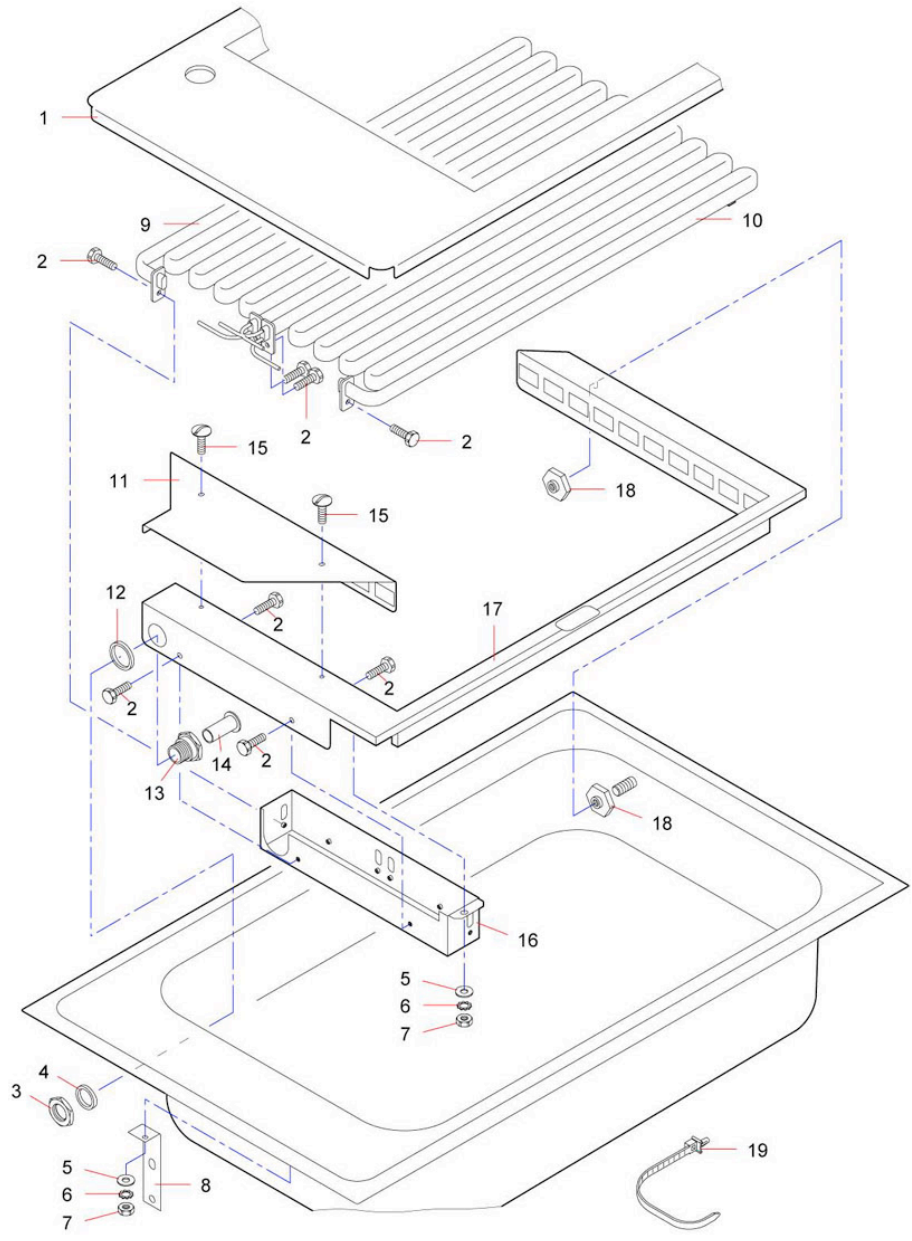
Pos.	Description	Article
1	adhesive set pactan	811890
1	silicon adhesive pactan	373060
2	OVAL-HEAD SCREW M4x8	333905
3	sealing profile	834777
4	PALUX sign	830755
5	frontpanel 400 steak grill	869937
5	frontpanel 600 steak grill	920274
6	top part cpl. 400	869813
6	top part cpl. 600	920754
7	support rail top part	866555
8	nut M 6	614742
9	housing cpl.	859001
9	housing cpl. 600+F2519	858986
10	SCREW M 4x10	068217
11	SCREW M 4x6	174084
12	bottom plate 400	921521
12	bottom plate 600	921580
13	foot	861316
14	SCREW M 4x20	010545
15	rubber plate	305111
16	angle bracket	861537
17	SERRATED LOCK WASHER A6.4 DIN 6898	006777
18	SCREW M 6x16	251194
19	ADHESIVE LABEL	217360
20	screw M4x12 1.4301 DIN 966	039411
21	SI FOAM PROFILED JOINT	696390
22	front panel pan 400 (BistroLine Plus)	867071
22	front panel pan 600 (BistroLine Plus)	867098
23	mounting plate mains terminal	867179
24	WASHER A 4.3	026999
25	TOOTHED LOCK WASHER J 4.3	050849
26	SI FOAM PROFILED JOINT	604151

electric



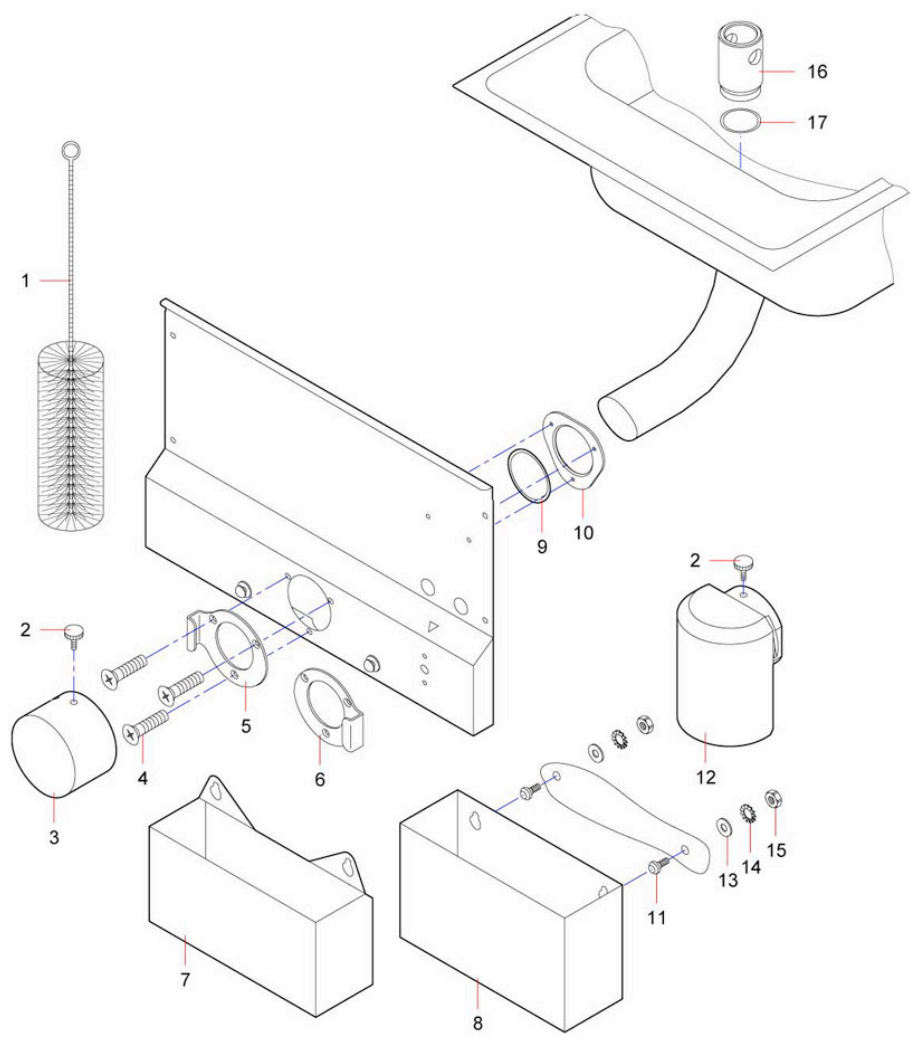
Pos.	Description	Article
1	cable set steak grill 400	921556
1	cable set steak grill 600	922242
2	WASHER A 4.3	001007
3	MAINS TERMINAL	002186
4	NUT M 4	003905
5	toggle	921106
6	HOSE SECTION	632236
7	SCREW M 4x6	174084
8	SIGNAL LAMP 250V	694339
8.1	spring washer	
9	seal signal lamp	865605
10	relay	849618
11	TOOTHED LOCK WASHER J 4.3	050849
12	relay 230 V AC	920533
13	SCREW M 4x10	010502
14	mains cable	188921
14	mains cable cpl.	861340
15	NUT M 3	000396
16	TOOTHED LOCK WASHER J 3.2	050822
17	WASHER A 3.2	000965
18	mounting sheet relay	920606
19	SCREW M 3x12	010421
20	Energy regulator	314544
21	CABLETIE	161179
22	strain relief	814636
23	interference suspression capacitor (steak grill 400)	921548
24	interference suspression capacitor (steak grill 600)	868485
25	Kabel kpl. 2,5 qmm gnge L=105	024252

heating element



Pos.	Description	Article
1	cover frame 400	921068
1	cover frame 600	921076
2	SCREW M 4x10	068217
3	SCREW M 4x10	025925
4	RING AD21xD16,2x3	869465
5	WASHER A 4.3	001007
6	TOOTHED LOCK WASHER J 4.3	050849
7	OVAL-HEAD SCREW M4x8	333905
8	ANGLE	168378
9	heating element 1,6 kW left (steak grill 400)	868019
9	heating element 2,5 kW left (steak grill 600)	868507
10	heating element 1,6 kW right (steak grill 400)	868531
10	heating element 2,5 kW right (steak grill 600)	868523
11	guide heating element front (steak grill 400)	869953
11	guide heating element left (steak grill 600)	922013
11	guide heating element right (steak grill 600)	920746
12	RING AD25xD20,4x3	869457
13	screw M16x1	869406
14	bush	921505
15	OVAL-HEAD SCREW M4x8	333905
16	lid for holder	869392
17	holder for heating element (steak grill 400)	869376
17	holder for heating element (steak grill 600)	920711
18	nut M6	921955
19	armature clamp, detachable	388017

tube outlet



Pos.	Description	Article
1	Cleaning brush+F4883	864021
2	KNURLED SCREW M4x12	047724
3	outlet 50 mm	863688
4	SCREW M 4x10	014095
5	catch f. outlet	865346
6	catch for container grease	922420
7	container for grease	863769
8	container for grease (BistroLine Plus)	866563
9	o-ring	863661
10	counter disc	865338
11	fitting srew	866539
12	outlet BistroLine Plus	866520
13	washer A5,3 1.4301 DIN 125	003980
14	toothed lock washer J5,3 1.4301 DIN 6797	304816
15	nut M5 1.4301 DIN 934	252867
16	drainage plug D35 1.4305	869961
17	o-ring D29,82x2,62	399734