

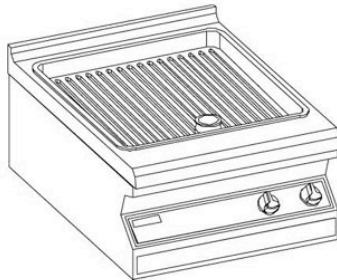
Ersatzteilkatalog

Spare parts list

PALUX Topline Thermik

Topline Vario Grill Bräter

Topline Twin-Go Vario Grill Bräter



Dieser Ersatzteilkatalog ist gültig

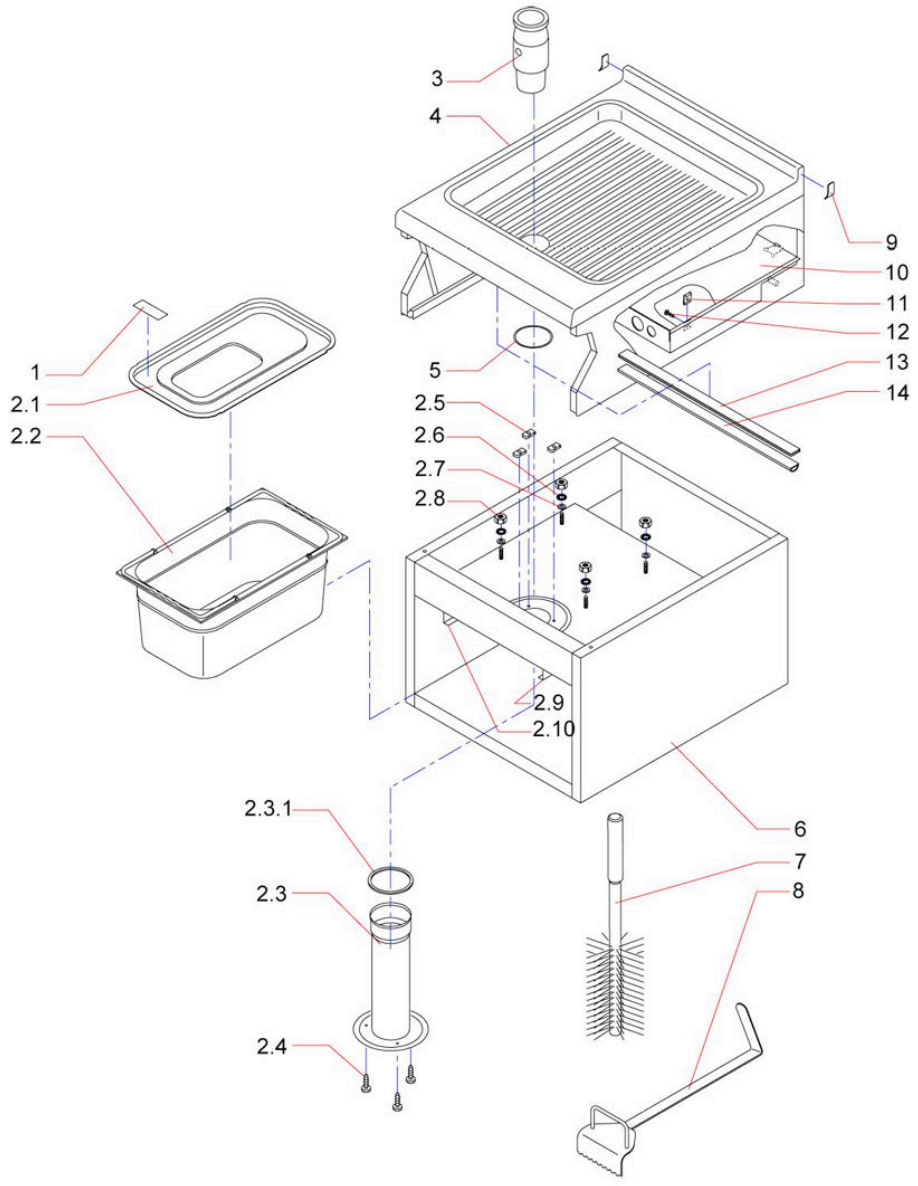
- Geräte ab Baujahr ca. 7.2000

Typenübersicht

725315 Topline Vario Grill Bräter 600 400 V 3N AC 50/60 Hz, 10 kW

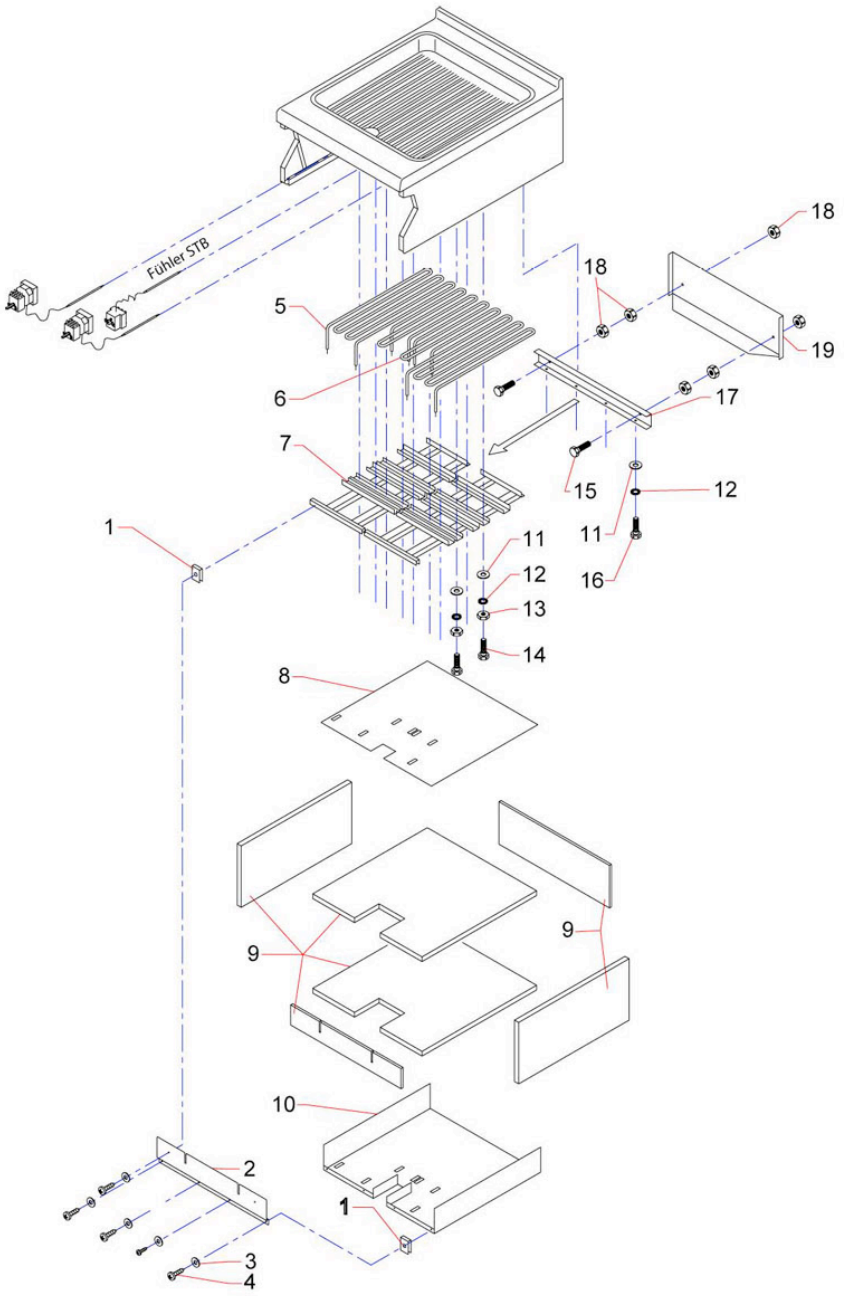
730718 Topline Twin-Go Vario Grill Bräter 600 400 V 3N AC 50/60 Hz, 10 kW

housing, drain



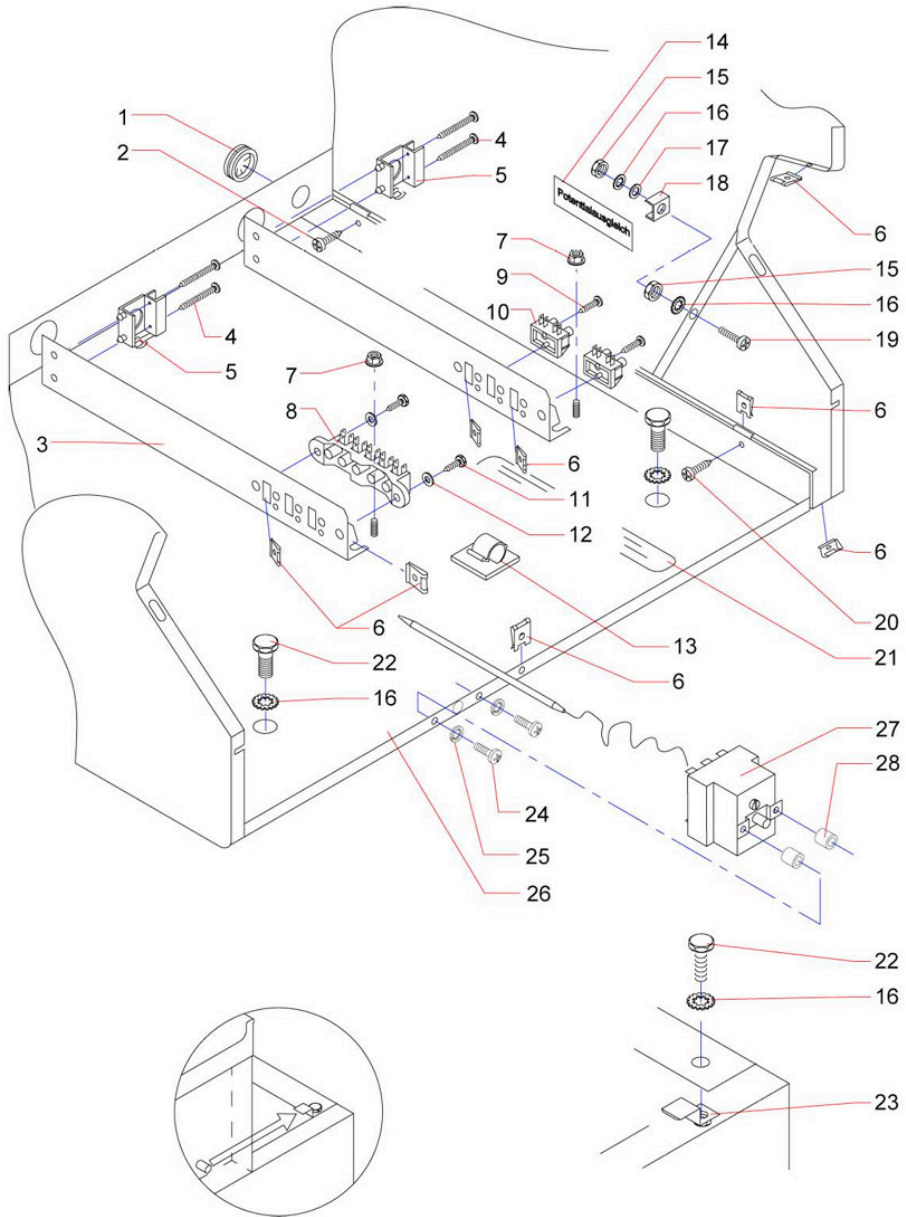
Pos.	Description	Article
1	adhesive label	628891
2.1	lid 1/1 perforated	615196
2.2	container GN 1/1 - 200 mm deep	607207
2.3	draining pipe cpl.	693057
2.3.1	silicone foam profile joint	604151
2.4	sheet metal screw	011908
2.5	snap action nut B3.9	227889
2.6	serrated lock washer A6.4	006777
2.7	washer 6,4	000582
2.8	nut M 6 DIN 439	000752
2.9	U- rail right	723746
2.10	U- rail left	723738
3	drainage plug for Topline Vario Pan	502073
4	casing grill pan top	725234
4	casing grill pan Twingo	730726
5	o-ring	683833
6	Unterbau UGVB...	
7	cleaning brush vario pan	614319
8	cleaning scraper	727563
9	sealing plate	648094
10	bottom backside	502316
11	snap action nut B3.9	227889
12	sheet metal screw	031720
13	sealing bar 600	619043
14	seal profil	374407

heating unit



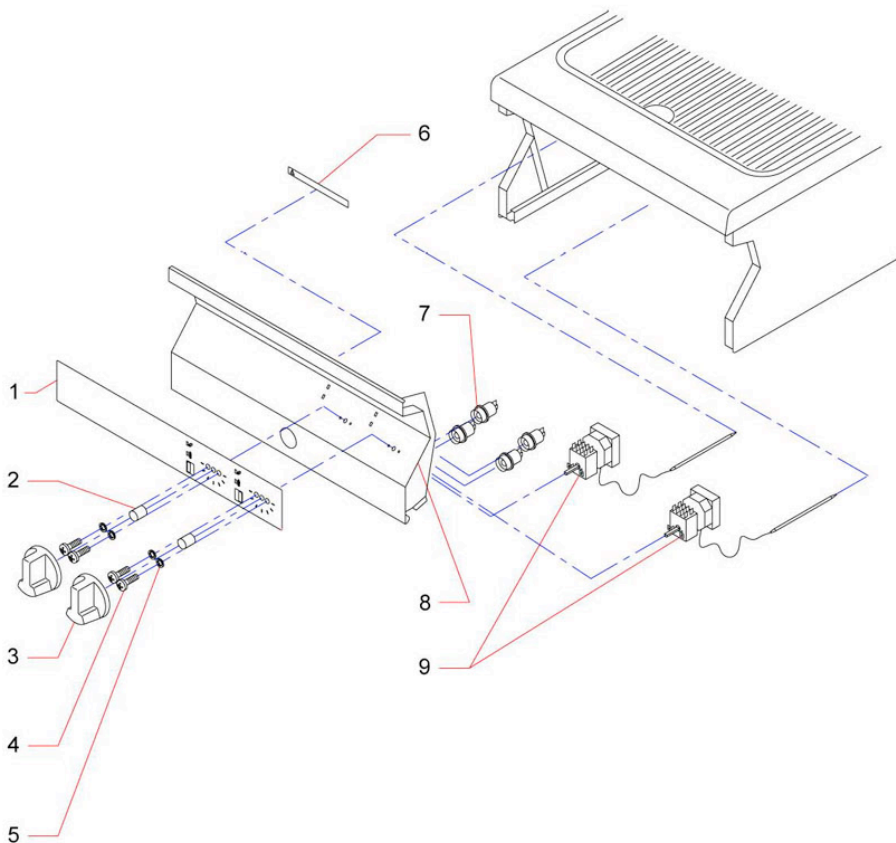
Pos.	Description	Article
1	snap action nut B3.9	227889
2	end plate	000663
3	spring lock washer A4	001023
4	sheet metal screw	059803
5	heating element 3300W	335142
6	heating element 1800W	335150
7	pressure frame VBM	621390
8	insulation sheet	732788
9	insulation cuttied set	733091
10	insulating case	732818
11	washer 6,4	004014
12	serrated lock washer A6.4	006777
13	nut M 6 DIN 439	000752
14	screw M 6x35	705284
15	screw M 6X25	00393*
16	screw M 6X30	301396
17	Halteschiene (an Grillplatte festgeschweisst)	
18	nut M 6	251887
19	insertable plate	726044

electrical connection, cables



Pos.	Description	Article
1	diaphragm bushing	232963
2	screw M 4X12	010537
3	mounting sheet (changed 10.2004)	527629
4	sheet metal screw	248703
5	clamp	248002
6	snap action nut B3.9	227889
7	kombi nut w. washer	377740
8	mains connecting block, bolt mounting (till appr. 10.2004)	002186
8	mains connecting clamp 400V/40A 5-pole (since appr. 10.2004)	829927
9	sheet metal screw	068209
10	plug in strip	070858
11	sheet metal screw	059803
12	washer 4,3	026999
13	cable clip	026301
14	adhesive label	217360
15	nut M 6	251887
16	serrated lock washer A6.4	006777
17	washer 6,4	004014
18	terminal bracket	223697
19	screw M 6X20	010731
20	sheet metal screw	031720
21	adhesive label	621382
22	screw M 6X16	251194
23	appliance holder	503479
24	screw M 4X16 DIN 84	037311
25	spring lock washer A4	001023
26	bottom frontside cpl.	502642
27	capillary tube cont. STB	502537
28	spacer sleeve	603627
	cable cpl.	154814
	cable harness	539724
	cable cpl.	539740
	cable cpl.	609390
	cable cpl.	637610
	cable cpl.	712051
	cable harness	722863
	cable harness	638943

operator panel



Pos.	Description	Article
1	control keypad	654280
2	hose section	632236
3	toggle	393800
4	screw M 4X6	174084
5	spring lock washer A4	001023
6	adhesive label	621382
7	pilot lamp	395056
8	front panel cpl.	502065
9	capillary tube controller	631981