



ELECTROLUXPROFESSIONAL

Modular Platform

Viale Treviso, 15
33170 Pordenone - Italy
Fax: +390434-380577

CATALOGO PARTI DI RICAMBIO
SPARE PARTS CATALOGUE

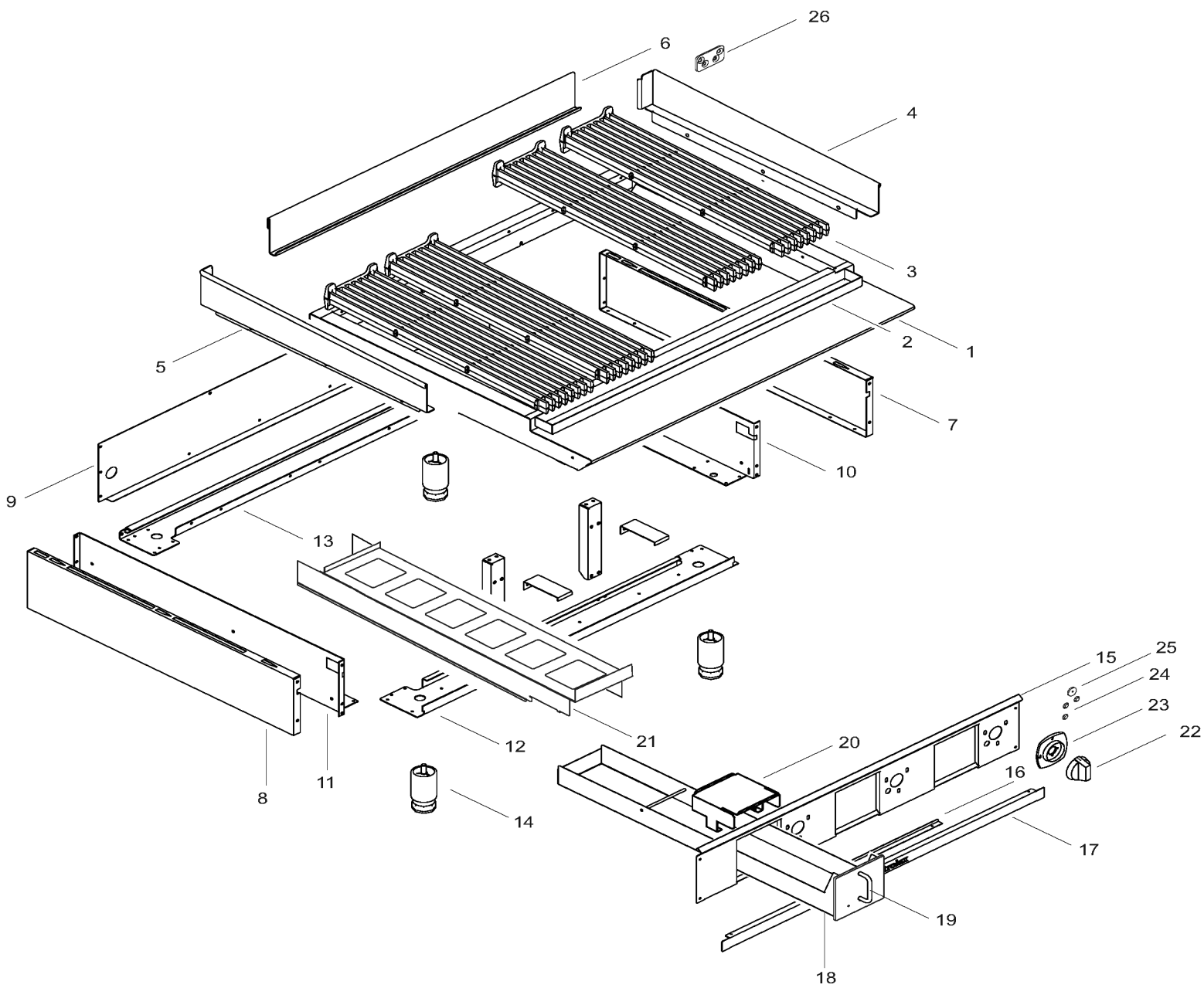
**GRIGLIE GAS COMPACT
GAS CHARBROILER COMPACT**

PNC	Model	Ref.	Page	Note
169020	AGG12	a	1-6	GAS CHARBROILER 12"
169021	AGG24	b	1-6	GAS CHARBROILER 24"
169022	AGG36	c	1-6	GAS CHARBROILER 36"
169023	AGG48	d	1-6	GAS CHARBROILER 48"
169058	AGG12CE	e	1-6	GAS CHARBROILER 12"
169059	AGG24CE	f	1-6	GAS CHARBROILER 24"
169060	AGG36CE	g	1-6	GAS CHARBROILER 36"
169061	AGG48CE	h	1-6	GAS CHARBROILER 48"

Pag.	Indice	Index
1	Mobile e componenti	Structure and components
2	Impianto gas	Gas components
3-5	Lista ricambi	Spare parts list

Marchio / Brand: Electrolux
Factory code: 9PDX

Da Ser. Nr. / From ser. nr.: 012....	Page: 1	Ed.2010 04	Doc. Nr.: 597855700
--------------------------------------	---------	------------	----------------------------



GRIGLIE GAS COMPACT
GAS CHARBROILER COMPACT

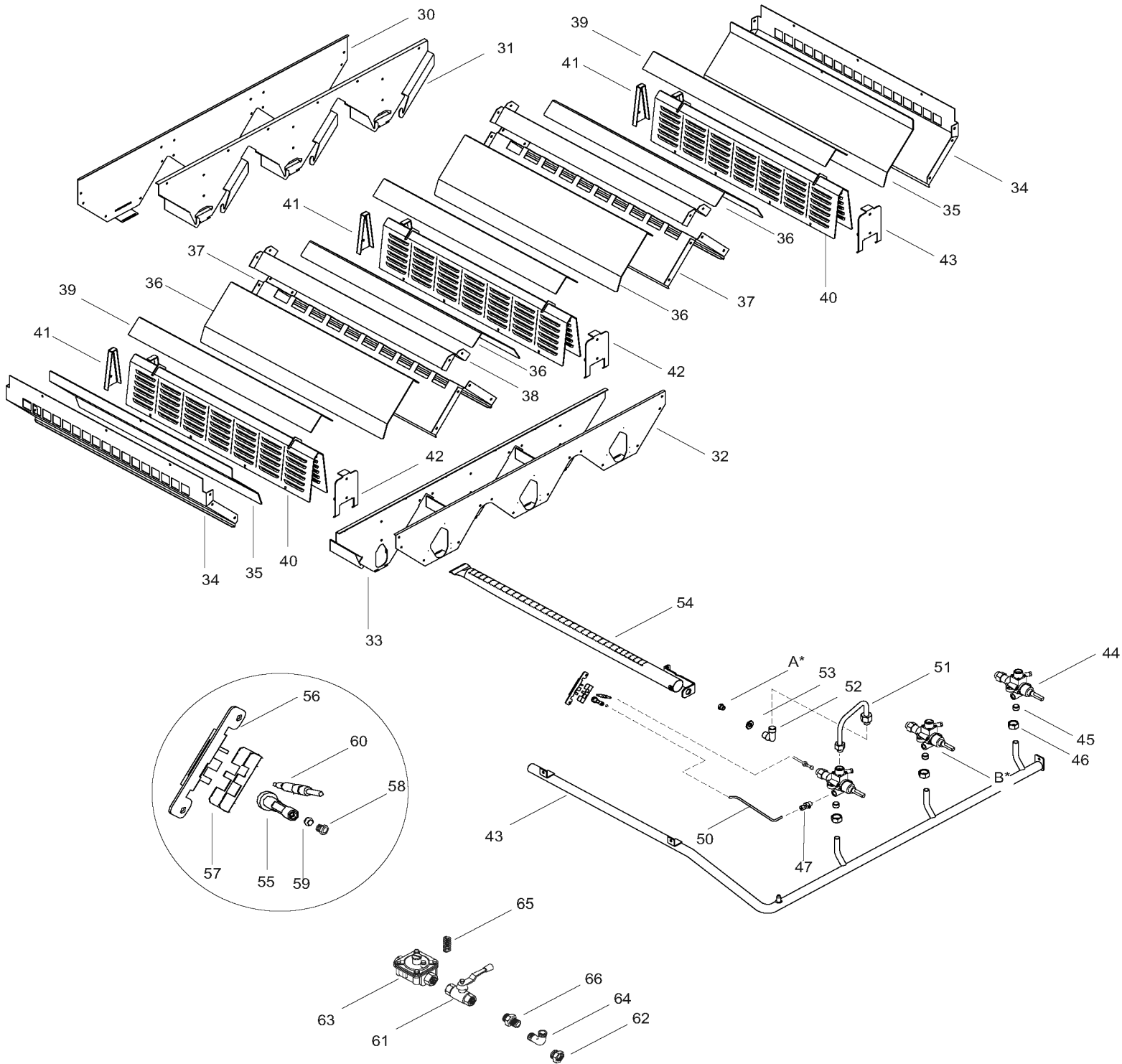
Da Ser. Nr. / From ser. nr.: 012.....

Page: 2

Ed.2010 04

Doc. Nr.:

597855700



GRIGLIE GAS COMPACT
GAS CHARBROILER COMPACT

A - Ugello bruciatore / Burner nozzle				
Spare part Code / factory code	Notes			Ref
059383	ø2.8	Natural gas	G20 3" wc	a,b,c,d
056793	ø1.80	Propane	G31 7,2" wc	
0A2141	ø1.65	3+3B/P	G30 30 mbar	e,f,g,h
0A2141	ø1.65	3B/P	G30/G31 37 mbar	
0A2141	ø1.65	3B/P	G30 50 mbar	
0A2141	ø1.65	3P	G30 37 mbar	
0A2142	ø2.9	2H/2E+	G20 20 mbar	
0A2142	ø2.9	2H	G25 25mbar	
059627	ø3.30	2L	G25 25 mbar	
059627	ø3.30	2ELL	G25 20 mbar	
059627	ø3.30	2S	G25.1 25 mbar	

B - Vite di minimo / Minimum screw				
Spare part Code / factory code	Notes			Ref
005003	Ø1.3	Propane gas	G31 7,2" wc	a,b,c,d
005003	Ø1.3	Natural gas	G20 3" wc	
005003	Ø1.3	3+3B/P	G30 30 mbar	e,f,g,h
005003	Ø1.3	3B/P	G30/G31 37 mbar	
005003	Ø1.3	3B/P	G30 50 mbar	
005003	Ø1.3	3P	G30 37 mbar	
005003	Ø1.3	2H/2E+	G20 20 mbar	
005003	Ø1.3	2H	G25 25mbar	
005003	Ø1.3	2L	G25 25 mbar	
005003	Ø1.3	2ELL	G25 20 mbar	
005003	Ø1.3	2S	G25.1 25 mbar	

C - Ugello Pilota / Pilot Burner nozzle				
Spare part Code / factory code	Notes			Ref
056656	n°35	Natural gas	G20 3" wc	a,b,c,d
056799	n°20	Propane	G31 7,2" wc	
056799	n°20	3+3B/P	G30 30 mbar	e,f,g,h
056799	n°20	3B/P	G30/G31 37 mbar	
056799	n°20	3B/P	G30 50 mbar	
056799	n°20	3P	G30 37 mbar	
056656	n°35	2H/2E+	G20 20 mbar	
056656	n°35	2H	G25 25mbar	
056656	n°35	2L	G25 25 mbar	
056656	n°35	2ELL	G25 20 mbar	
056656	n°35	2S	G25.1 25 mbar	

Da Ser. Nr. / From Ser. Numb. : 012 (2000-wk12)

Page review . 2014 - 10

PAGE: 7

Doc. **597855700**