



SPARE PARTS CATALOGUE  
 CATALOGO PARTI DI RICAMBIO  
**FRY TOP GAS, COMPACT**  
**GAS GRIDDLE, COMPACT**

| PNC    | Model      | Ref | Notes                                    |
|--------|------------|-----|--|
| 169111 | ARG12FL    | A   | GAS GRIDDLE-SMOOTH PLATE 12"-US          |
| 169112 | ARG24FL    | B   | GAS GRIDDLE-SMOOTH PLATE 24"-US          |
| 169113 | ARG36FL    | C   | GAS GRIDDLE-SMOOTH PLATE 36"-US          |
| 169114 | ARG48FL    | D   | GAS GRIDDLE-SMOOTH PLATE 48"-US          |
| 169115 | ARG12FR    | E   | GAS GRIDDLE-RIBBED PLATE 12"-US          |
| 169116 | ARG24FR    | F   | GAS GRIDDLE-2/3 SMOOTH/1/3 RIB PL.24"-US |
| 169117 | ARG36FR    | G   | GAS GRIDDLE-2/3 SMOOTH/1/3 RIB PL.36"-US |
| 169118 | ARG48FR    | H   | GAS GRIDDLE-2/3 SMOOTH/1/3 RIB PL.48"-US |
| 169140 | ARG12FLCE  | I   | GAS GRIDDLE-SMOOTH PLATE 12"             |
| 169141 | ARG24FLCE  | J   | GAS GRIDDLE-SMOOTH PLATE 24"             |
| 169142 | ARG36FLCE  | M   | GAS GRIDDLE SMOOTH PLATE 36"             |
| 169143 | ARG48FLCE  | N   | GAS GRIDDLE-SMOOTH PLATE 48"             |
| 169144 | ARG12FRCE  | O   | GAS GRIDDLE-RIBBED PLATE 12"             |
| 169145 | ARG24FRCE  | P   | GAS GRIDDLE-2/3 SMOOTH/1/3 RIBBED PL.24" |
| 169146 | ARG36FRCE  | Q   | GAS GRIDDLE-2/3 SMOOTH/1/3 RIBBED PL.36" |
| 169147 | ARG48FRCE  | R   | GAS GRIDDLE-2/3 SMOOTH/1/3 RIBBED PL.48" |
| 169157 | ARG24FLCEP | S   | GAS GRIDDLE(PIEZO)-SMOOTH PLATE 24"      |
| 169158 | ARG36FLCEP | T   | GAS GRIDDLE(PIEZO)-SMOOTH PLATE 36"      |
| 169159 | ARG48FLCEP | U   | GAS GRIDDLE(PIEZO)-SMOOTH PLATE 48"      |
| 169160 | ARG24FRCEP | V   | GAS GRIDDLE(PIEZO)-½ SMOOTH/½ RIBBED 24" |
| 169161 | ARG36FRCEP | W   | GAS GRIDDLE(PIEZO)-½ SMOOTH/½ RIBBED 36" |
| 169162 | ARG48FRCEP | X   | GAS GRIDDLE(PIEZO)-½ SMOOTH/½ RIBBED 48" |
| 169163 | ARG24RRCEP | Y   | GAS GRIDDLE(PIEZO)-RIBBED PLATE 24"      |
| 169164 | ARG36RRCEP | Z   | GAS GRIDDLE(PIEZO)-RIBBED PLATE 36"      |

| Pag | Index             | Indice                  | Note |
|-----|-------------------|-------------------------|------|
| 2   | General componets | Componenti struttura    |      |
| 3   | Gas components    | Componenti impianto gas |      |
| 4   | Ugelli pilota gas | Gas nozzels             |      |
| 5/6 | Spare parts list  | Lista ricambi           |      |

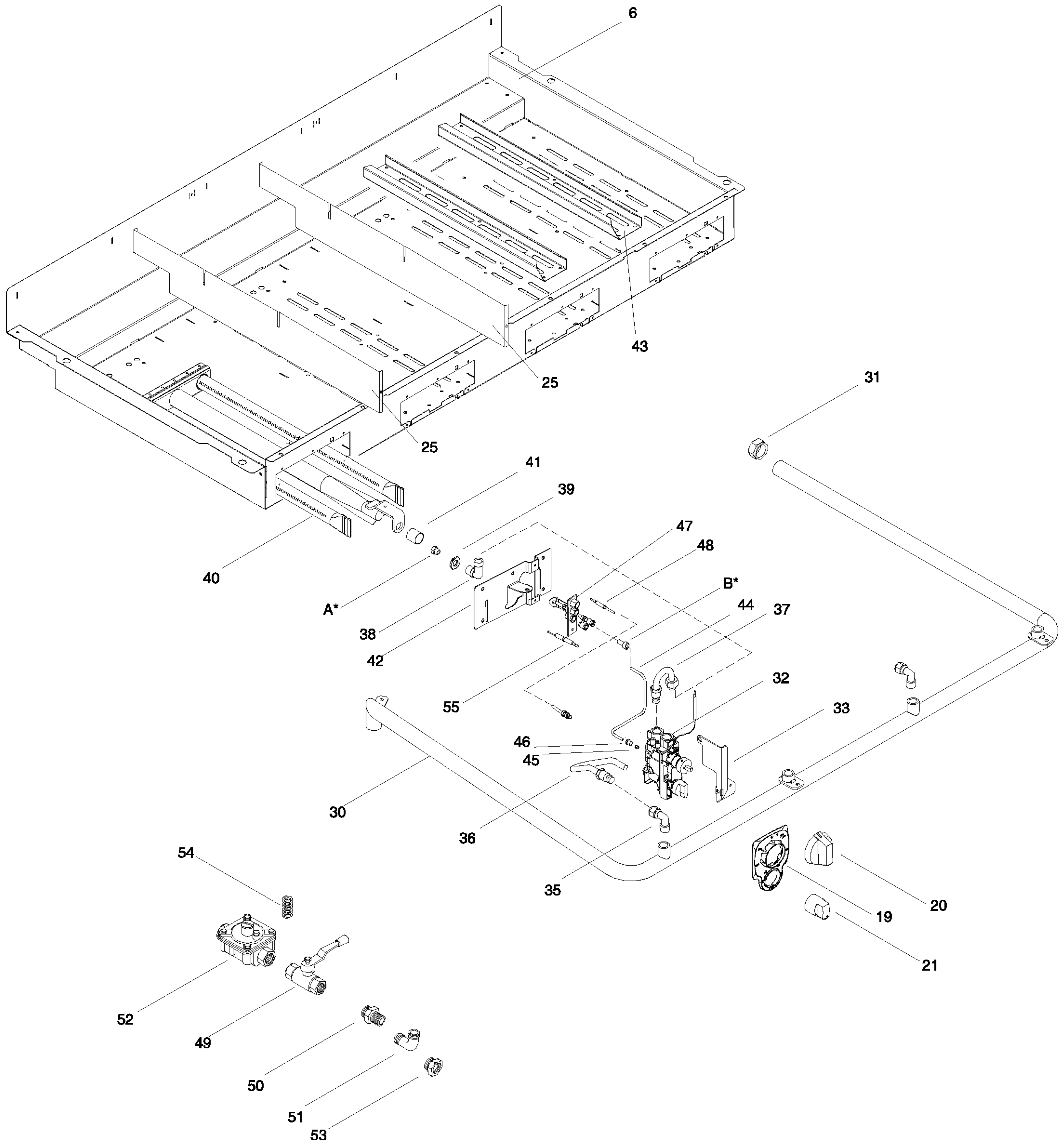
Da Ser. Nr. / From Ser. Numb. : 501 (2015) SPC.Ed. 2015 – 01

Document review . 2015 - 11

PAG 1

Doc. **59785TL00**





| <b>A - Ugello bruciatore / Burner nozzle</b> |              |             |                       |                           |
|--|--------------|-------------|-----------------------|---------------------------|
| <b>Spare part Code</b>                       | <b>Notes</b> |             |                       | <b>Ref.</b>               |
| 0A2141                                       | ø1,65        | Propane     | G31 7,2" wc / 18 mbar | a, b, c, d,<br>e, f, g, h |
| 059382                                       | ø2,5         | Natural gas | G20 3" wc / 7 mbar    |                           |
| 0A2081                                       | ø2,3         | Natural gas | G20 4" wc/ 10 mbar    |                           |

| <b>A - Ugello bruciatore / Burner nozzle</b> |                     |        |                |                        |
|--|---------------------|--------|----------------|------------------------|
| <b>Spare part Code</b>                       | <b>Ref. / Notes</b> |        |                | <b>Ref.</b>            |
| 0A2103                                       | ø1.55               | 3+3B/P | G30 30mbar     | i, l, m, n, o, p, q, r |
| 0A2103                                       | ø1.55               | 3B/P   | G30/G31 37mbar |                        |
| 0A2103                                       | ø1.55               | 3B/P   | G30 50mbar     |                        |
| 0A2081                                       | ø2.30               | 2H/2E+ | G20 20mbar     |                        |
| 0A2081                                       | ø2.30               | 2H     | G20 25mbar     |                        |
| 059529                                       | ø2.55               | 2L     | G25 25mbar     |                        |
| 059529                                       | ø2.55               | 2ELL   | G25 20mbar     |                        |
| 059529                                       | ø2.55               | 2S     | G25.1 25mbar   |                        |

| <b>B - Ugello pilota / Pilot nozzle</b> |                     |              |                                |                        |
|---|---------------------|--------------|--------------------------------|------------------------|
| <b>Spare part Code</b>                  | <b>Factory code</b> | <b>Notes</b> |                                | <b>Ref.</b>            |
| 0C9832                                  | 516839000           | n°27         | Propane G31 7,2" wc / 18 mbar  | a, b, c, d, e, f, g, h |
| 0C9891                                  | 51489DN00           | n°29         | Natural gas G20 3" wc / 7 mbar | a, b, c, d, e, f, g, h |
| 0C9891                                  | 51489DN00           | n°29         | Natural gas G20 4" wc/ 10 mbar | a, b, c, d, e, f, g, h |
| 0C6621                                  | 511831200           | n°21         | 2H/2E+ G20 20mbar              | i, l, m, n, o, p, q, r |
| 054286                                  | 514833900           | n°24         | 3+3B/P G30 30mbar              | i, l, m, n, o, p, q, r |
| 054286                                  | 514833900           | n°24         | 3B/P G30/G31 37mbar            | i, l, m, n, o, p, q, r |
| 054286                                  | 514833900           | n°24         | 3B/P G30 50mbar                | i, l, m, n, o, p, q, r |
| 0C9891                                  | 51489DN00           | n°29         | 2H G20 25mbar                  | i, l, m, n, o, p, q, r |
| 0C9891                                  | 51489DN00           | n°29         | 2L G25 25mbar                  | i, l, m, n, o, p, q, r |
| 0C9891                                  | 51489DN00           | n°29         | 2ELL G25 20mbar                | i, l, m, n, o, p, q, r |
| 0C9891                                  | 51489DN00           | n°29         | 2S G25.1 25mbar                | i, l, m, n, o, p, q, r |



ELECTROLUXPROFESSIONAL

**Modular Platform**

Viale Treviso, 15  
33170 Pordenone - Italy  
Fax: +390434-380577

CATALOGO PARTI DI RICAMBIO  
SPARE PARTS CATALOGUE

**FRYTOP GAS COMPACT  
GAS GRIDDLES COMPACT**

| PNC    | Model     | Ref. | Page | Note                         |
|--------|-----------|------|------|------------------------------|
| 169012 | ARG12FL   | a    | 1-5  | GAS GRIDDLE-SMOOTH PLATE 12" |
| 169013 | ARG24FL   | b    | 1-5  | GAS GRIDDLE-SMOOTH PLATE 24" |
| 169014 | ARG36FL   | c    | 1-5  | GAS GRIDDLE-SMOOTH PLATE 36" |
| 169015 | ARG48FL   | d    | 1-5  | GAS GRIDDLE-SMOOTH PLATE 48" |
| 169016 | ARG12FR   | e    | 1-5  | GAS GRIDDLE-RIBBED PLATE 12" |
| 169017 | ARG24FR   | f    | 1-5  | GAS GRIDDLE-RIBBED PLATE 24" |
| 169018 | ARG36FR   | g    | 1-5  | GAS GRIDDLE-RIBBED PLATE 36" |
| 169019 | ARG48FR   | h    | 1-5  | GAS GRIDDLE-RIBBED PLATE 48" |
| 169050 | ARG12FLCE | i    | 1-5  | GAS GRIDDLE-SMOOTH PLATE 12" |
| 169051 | ARG24FLCE | l    | 1-5  | GAS GRIDDLE-SMOOTH PLATE 24" |
| 169052 | ARG36FLCE | m    | 1-5  | GAS GRIDDLE SMOOTH PLATE 36" |
| 169053 | ARG48FLCE | n    | 1-5  | GAS GRIDDLE-SMOOTH PLATE 48" |
| 169054 | ARG12FRCE | o    | 1-5  | GAS GRIDDLE-RIBBED PLATE 12" |
| 169055 | ARG24FRCE | p    | 1-5  | GAS GRIDDLE-RIBBED PLATE 24" |
| 169056 | ARG36FRCE | q    | 1-5  | GAS GRIDDLE-RIBBED PLATE 36" |
| 169057 | ARG48FRCE | r    | 1-5  | GAS GRIDDLE-RIBBED PLATE 48" |

| Pag. | Indice              |
|------|---------------------|
| 1    | Mobile e componenti |
| 2    | Impianto gas        |
| 3-5  | Lista ricambi       |

| Index                    |
|--------------------------|
| Structure and components |
| Gas components           |
| Spare parts list         |

**Marchio / Brand:** Electrolux  
**Factory code:** 9PDX

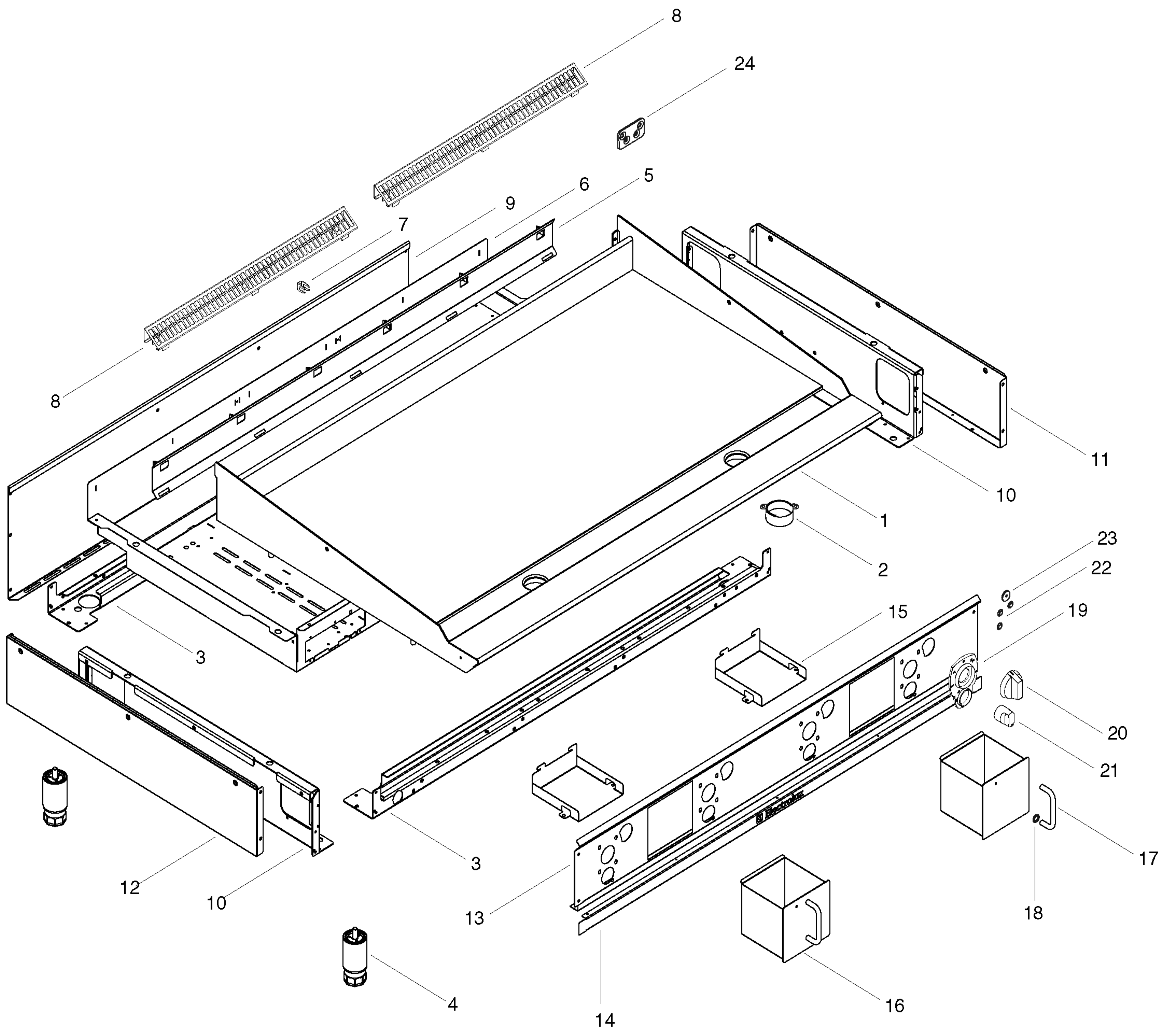
Da Ser. Nr. / From ser. nr.: 012....

Page: 1

Ed.2010 04

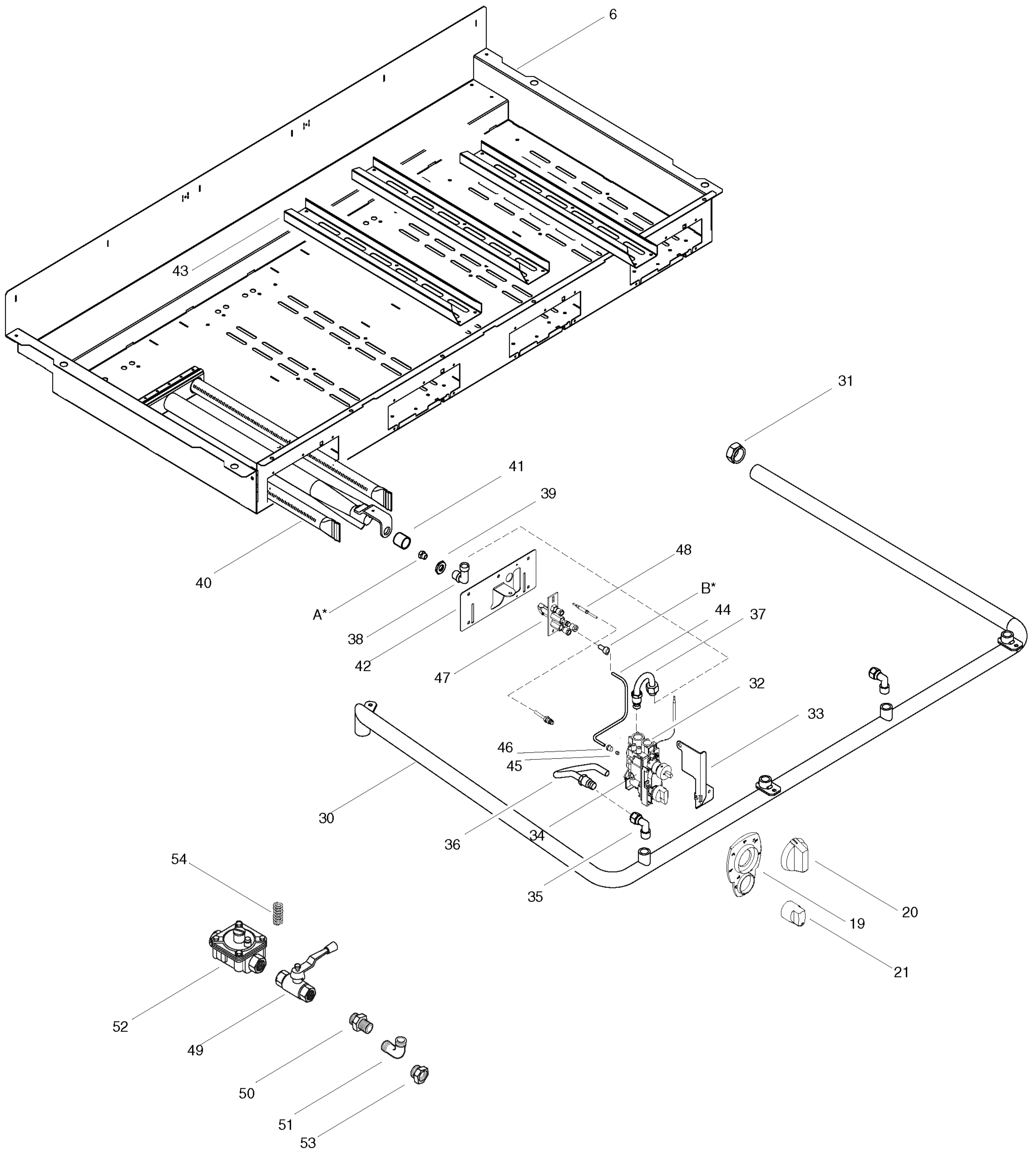
Doc. Nr.:

**597855600**



**FRYTOP GAS COMPACT  
GAS GRIDDLES COMPACT**

|                                       |         |            |                            |
|---------------------------------------|---------|------------|----------------------------|
| Da Ser. Nr. / From ser. nr.: 012..... | Page: 2 | Ed.2010 04 | Doc. Nr.: <b>597855600</b> |
|---------------------------------------|---------|------------|----------------------------|



FRYTOP GAS COMPACT  
GAS GRIDDLES COMPACT

Da Ser. Nr. / From ser. nr.: 012....

Page: 3

Ed.2010 04

Doc. Nr.:

**597855600**

| A - Ugello bruciatore / Burner nozzle |       |                       |                        |
|---------------------------------------|-------|-----------------------|------------------------|
| 6DGT Code                             | Notes |                       | Ref.                   |
| 0A2141                                | ∅1,65 | Propane G31 7,2" wc   | a, b, c, d, e, f, g, h |
| 059382                                | ∅2,5  | Natural gas G20 3" wc |                        |
| 0A2081                                | ∅2,3  | Natural gas G20 4" wc |                        |

| A - Ugello bruciatore / Burner nozzle |              |                     |                        |
|---------------------------------------|--------------|---------------------|------------------------|
| 6DGT Code                             | Ref. / Notes |                     | Ref.                   |
| 0A2103                                | ∅1.55        | 3+3B/P G30 30mbar   | i, l, m, n, o, p, q, r |
| 0A2103                                | ∅1.55        | 3B/P G30/G31 37mbar |                        |
| 0A2103                                | ∅1.55        | 3B/P G30 50mbar     |                        |
| 0A2081                                | ∅2.30        | 2H/2E+ G20 20mbar   |                        |
| 0A2081                                | ∅2.30        | 2H G20 25mbar       |                        |
| 059529                                | ∅2.55        | 2L G25 25mbar       |                        |
| 059529                                | ∅2.55        | 2ELL G25 20mbar     |                        |
| 059529                                | ∅2.55        | 2S G25.1 25mbar     |                        |

| B - Ugello pilota / Pilot nozzle |       |                       |                        |
|----------------------------------|-------|-----------------------|------------------------|
| 6DGT Code                        | Notes |                       | Ref.                   |
| 0C6621                           | n°21  | Propane G31 7,2" wc   | a, b, c, d, e, f, g, h |
| 054037                           | n°25  | Natural gas G20 3" wc |                        |
| 054037                           | n°25  | Natural gas G20 4" wc |                        |

| B - Ugello pilota / Pilot nozzle |       |                     |                        |
|----------------------------------|-------|---------------------|------------------------|
| 6DGT Code                        | Notes |                     | Ref.                   |
| 0C6621                           | n°21  | 3+3B/P G30 30mbar   | i, l, m, n, o, p, q, r |
| 0C6621                           | n°21  | 3B/P G30/G31 37mbar |                        |
| 0C6621                           | n°21  | 3B/P G30 50mbar     |                        |
| 0C6621                           | n°25  | 2H/2E+ G20 20mbar   |                        |
| 054037                           | n°25  | 2H G20 25mbar       |                        |
| 054037                           | n°25  | 2L G25 25mbar       |                        |
| 054037                           | n°25  | 2ELL G25 20mbar     |                        |
| 054037                           | n°25  | 2S G25.1 25mbar     |                        |