



SPARE PARTS CATALOGUE
 CATALOGO PARTI DI RICAMBIO
**FRY TOP GAS, COMPACT
 GAS GRIDDLE, COMPACT**

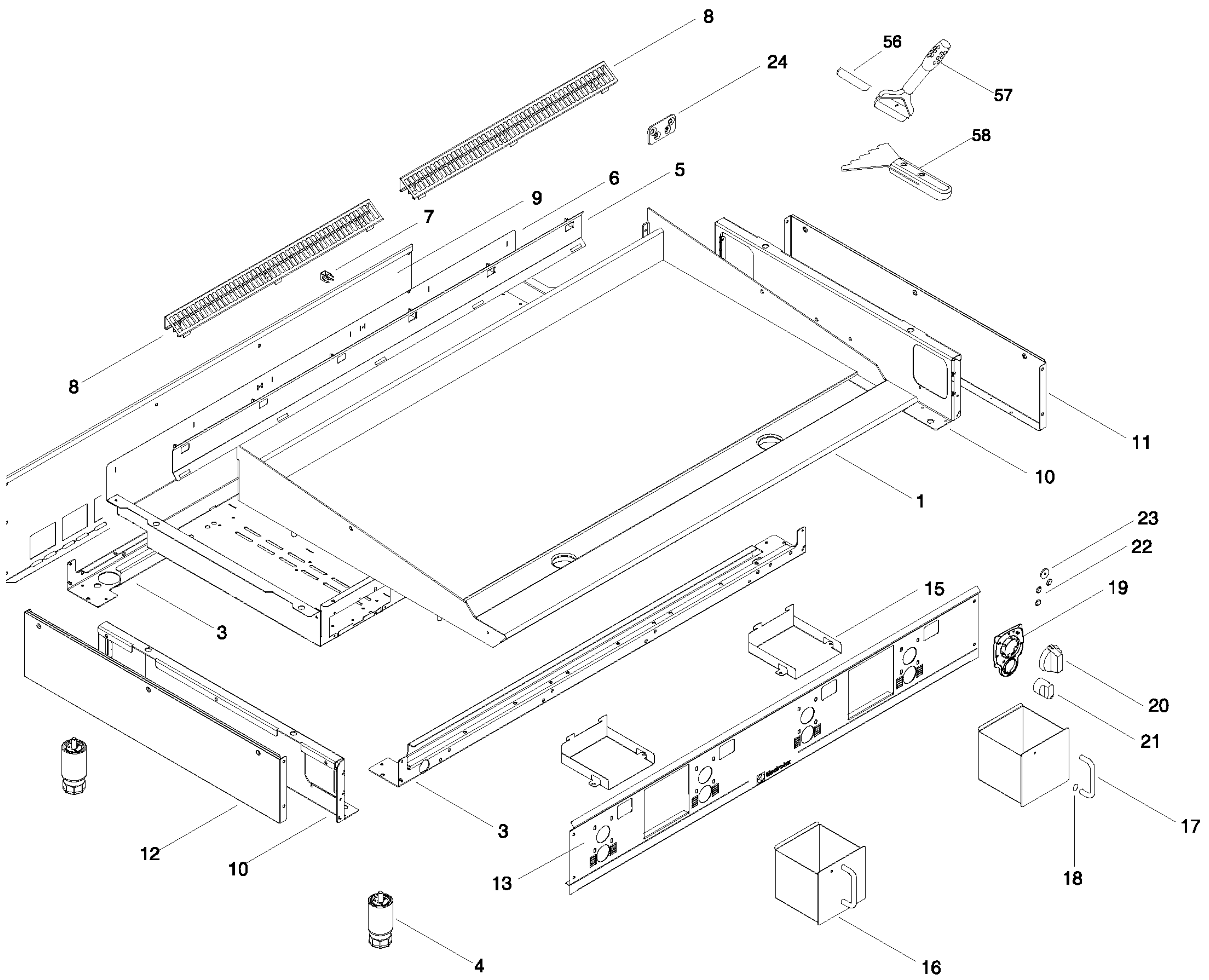
PNC	Model	Ref	Notes
169111	ARG12FL	A	GAS GRIDDLE-SMOOTH PLATE 12"-US
169112	ARG24FL	B	GAS GRIDDLE-SMOOTH PLATE 24"-US
169113	ARG36FL	C	GAS GRIDDLE-SMOOTH PLATE 36"-US
169114	ARG48FL	D	GAS GRIDDLE-SMOOTH PLATE 48"-US
169115	ARG12FR	E	GAS GRIDDLE-RIBBED PLATE 12"-US
169116	ARG24FR	F	GAS GRIDDLE-2/3 SMOOTH/1/3 RIB PL.24"-US
169117	ARG36FR	G	GAS GRIDDLE-2/3 SMOOTH/1/3 RIB PL.36"-US
169118	ARG48FR	H	GAS GRIDDLE-2/3 SMOOTH/1/3 RIB PL.48"-US
169140	ARG12FLCE	I	GAS GRIDDLE-SMOOTH PLATE 12"
169141	ARG24FLCE	J	GAS GRIDDLE-SMOOTH PLATE 24"
169142	ARG36FLCE	M	GAS GRIDDLE SMOOTH PLATE 36"
169143	ARG48FLCE	N	GAS GRIDDLE-SMOOTH PLATE 48"
169144	ARG12FRCE	O	GAS GRIDDLE-RIBBED PLATE 12"
169145	ARG24FRCE	P	GAS GRIDDLE-2/3 SMOOTH/1/3 RIBBED PL.24"
169146	ARG36FRCE	Q	GAS GRIDDLE-2/3 SMOOTH/1/3 RIBBED PL.36"
169147	ARG48FRCE	R	GAS GRIDDLE-2/3 SMOOTH/1/3 RIBBED PL.48"
169157	ARG24FLCEP	S	GAS GRIDDLE(PIEZO)-SMOOTH PLATE 24"
169158	ARG36FLCEP	T	GAS GRIDDLE(PIEZO)-SMOOTH PLATE 36"
169159	ARG48FLCEP	U	GAS GRIDDLE(PIEZO)-SMOOTH PLATE 48"
169160	ARG24FRCEP	V	GAS GRIDDLE(PIEZO)-1/2 SMOOTH/1/2 RIBBED 24"
169161	ARG36FRCEP	W	GAS GRIDDLE(PIEZO)-1/2 SMOOTH/1/2 RIBBED 36"
169162	ARG48FRCEP	X	GAS GRIDDLE(PIEZO)-1/2 SMOOTH/1/2 RIBBED 48"
169163	ARG24RRCEP	Y	GAS GRIDDLE(PIEZO)-RIBBED PLATE 24"
169164	ARG36RRCEP	Z	GAS GRIDDLE(PIEZO)-RIBBED PLATE 36"

Pag	Index	Indice	Note
2	General componets	Componenti struttura	
3	Gas components	Componenti impianto gas	
4	Ugelli pilota gas	Gas nozzels	
5/6	Spare parts list	Lista ricambi	

Da Ser. Nr. / From Ser. Numb. : 501 (2015) SPC.Ed. 2015 – 01
 Document review . 2015 - 11

PAG 1

Doc. **59785TL00**



A - Ugello bruciatore / Burner nozzle				
Spare part Code	Notes			Ref.
0A2141	ø1,65	Propane	G31 7,2" wc / 18 mbar	a, b, c, d, e, f, g, h
059382	ø2,5	Natural gas	G20 3" wc / 7 mbar	
0A2081	ø2,3	Natural gas	G20 4" wc/ 10 mbar	

A - Ugello bruciatore / Burner nozzle				
Spare part Code	Ref. / Notes			Ref.
0A2103	ø1.55	3+3B/P	G30 30mbar	i, l, m, n, o, p, q, r
0A2103	ø1.55	3B/P	G30/G31 37mbar	
0A2103	ø1.55	3B/P	G30 50mbar	
0A2081	ø2.30	2H/2E+	G20 20mbar	
0A2081	ø2.30	2H	G20 25mbar	
059529	ø2.55	2L	G25 25mbar	
059529	ø2.55	2ELL	G25 20mbar	
059529	ø2.55	2S	G25.1 25mbar	

B - Ugello pilota / Pilot nozzle					
Spare part Code	Factory code	Notes		Ref.	
0C9832	516839000	n°27	Propane	G31 7,2" wc / 18 mbar	a, b, c, d, e, f, g, h
0C9891	51489DN00	n°29	Natural gas	G20 3" wc / 7 mbar	a, b, c, d, e, f, g, h
0C9891	51489DN00	n°29	Natural gas	G20 4" wc/ 10 mbar	a, b, c, d, e, f, g, h
0C6621	511831200	n°21	2H/2E+	G20 20mbar	i, l, m, n, o, p, q, r
054286	514833900	n°24	3+3B/P	G30 30mbar	i, l, m, n, o, p, q, r
054286	514833900	n°24	3B/P	G30/G31 37mbar	i, l, m, n, o, p, q, r
054286	514833900	n°24	3B/P	G30 50mbar	i, l, m, n, o, p, q, r
0C9891	51489DN00	n°29	2H	G20 25mbar	i, l, m, n, o, p, q, r
0C9891	51489DN00	n°29	2L	G25 25mbar	i, l, m, n, o, p, q, r
0C9891	51489DN00	n°29	2ELL	G25 20mbar	i, l, m, n, o, p, q, r
0C9891	51489DN00	n°29	2S	G25.1 25mbar	i, l, m, n, o, p, q, r