



SPARE PARTS CATALOGUE  
 CATALOGO PARTI DI RICAMBIO  
**FRY TOP GAS, COMPACT**  
**GAS GRIDDLE, COMPACT**

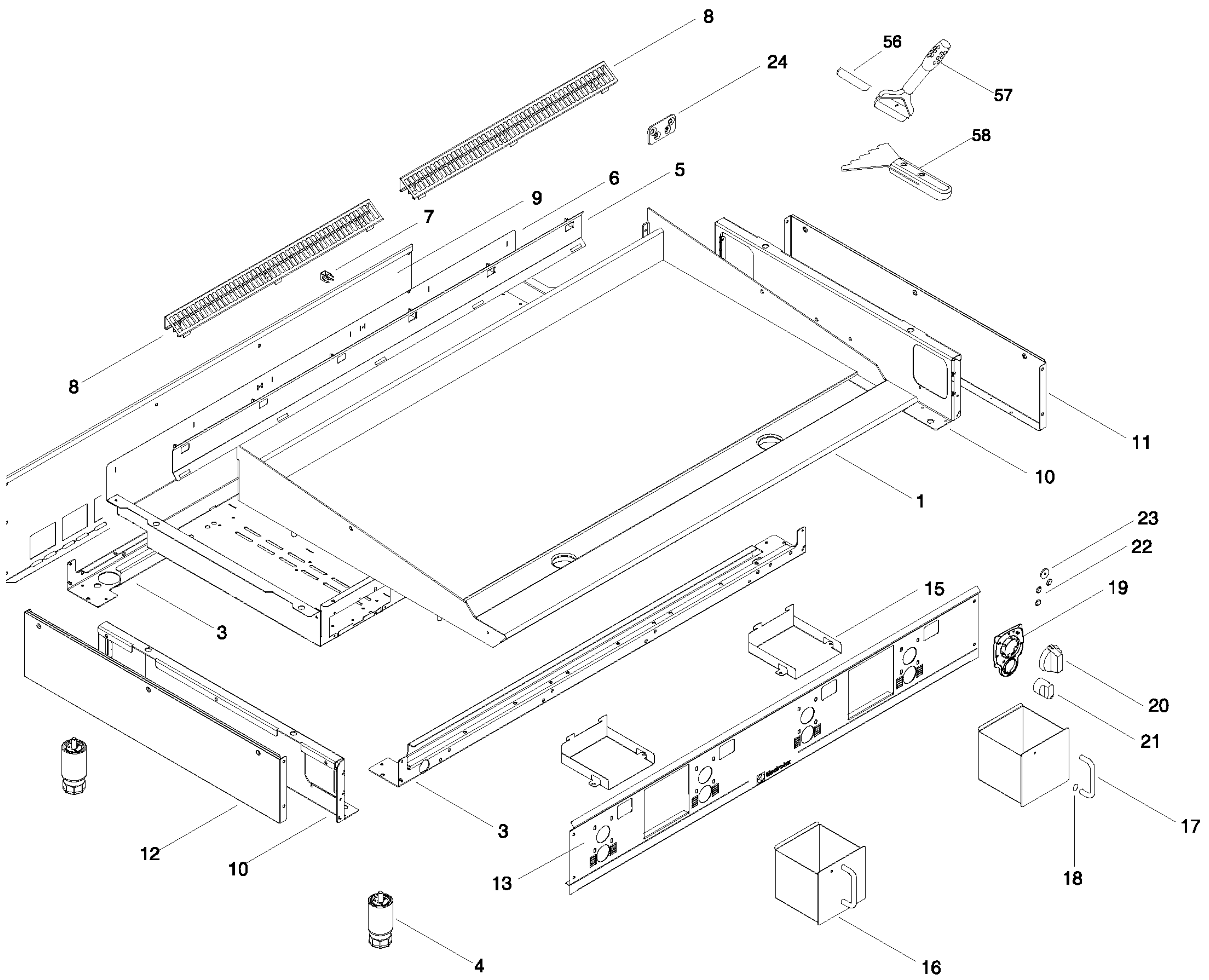
| PNC    | Model      | Ref | Notes  |
|--------|------------|-----|--|
| 169111 | ARG12FL    | A   | GAS GRIDDLE-SMOOTH PLATE 12"-US              |
| 169112 | ARG24FL    | B   | GAS GRIDDLE-SMOOTH PLATE 24"-US              |
| 169113 | ARG36FL    | C   | GAS GRIDDLE-SMOOTH PLATE 36"-US              |
| 169114 | ARG48FL    | D   | GAS GRIDDLE-SMOOTH PLATE 48"-US              |
| 169115 | ARG12FR    | E   | GAS GRIDDLE-RIBBED PLATE 12"-US              |
| 169116 | ARG24FR    | F   | GAS GRIDDLE-2/3 SMOOTH/1/3 RIB PL.24"-US     |
| 169117 | ARG36FR    | G   | GAS GRIDDLE-2/3 SMOOTH/1/3 RIB PL.36"-US     |
| 169118 | ARG48FR    | H   | GAS GRIDDLE-2/3 SMOOTH/1/3 RIB PL.48"-US     |
| 169140 | ARG12FLCE  | I   | GAS GRIDDLE-SMOOTH PLATE 12"                 |
| 169141 | ARG24FLCE  | J   | GAS GRIDDLE-SMOOTH PLATE 24"                 |
| 169142 | ARG36FLCE  | M   | GAS GRIDDLE SMOOTH PLATE 36"                 |
| 169143 | ARG48FLCE  | N   | GAS GRIDDLE-SMOOTH PLATE 48"                 |
| 169144 | ARG12FRCE  | O   | GAS GRIDDLE-RIBBED PLATE 12"                 |
| 169145 | ARG24FRCE  | P   | GAS GRIDDLE-2/3 SMOOTH/1/3 RIBBED PL.24"     |
| 169146 | ARG36FRCE  | Q   | GAS GRIDDLE-2/3 SMOOTH/1/3 RIBBED PL.36"     |
| 169147 | ARG48FRCE  | R   | GAS GRIDDLE-2/3 SMOOTH/1/3 RIBBED PL.48"     |
| 169157 | ARG24FLCEP | S   | GAS GRIDDLE(PIEZO)-SMOOTH PLATE 24"          |
| 169158 | ARG36FLCEP | T   | GAS GRIDDLE(PIEZO)-SMOOTH PLATE 36"          |
| 169159 | ARG48FLCEP | U   | GAS GRIDDLE(PIEZO)-SMOOTH PLATE 48"          |
| 169160 | ARG24FRCEP | V   | GAS GRIDDLE(PIEZO)-1/2 SMOOTH/1/2 RIBBED 24" |
| 169161 | ARG36FRCEP | W   | GAS GRIDDLE(PIEZO)-1/2 SMOOTH/1/2 RIBBED 36" |
| 169162 | ARG48FRCEP | X   | GAS GRIDDLE(PIEZO)-1/2 SMOOTH/1/2 RIBBED 48" |
| 169163 | ARG24RRCEP | Y   | GAS GRIDDLE(PIEZO)-RIBBED PLATE 24"          |
| 169164 | ARG36RRCEP | Z   | GAS GRIDDLE(PIEZO)-RIBBED PLATE 36"          |

| Pag | Index             | Indice                  | Note |
|-----|-------------------|-------------------------|------|
| 2   | General componets | Componenti struttura    |      |
| 3   | Gas components    | Componenti impianto gas |      |
| 4   | Ugelli pilota gas | Gas nozzels             |      |
| 5/6 | Spare parts list  | Lista ricambi           |      |

Da Ser. Nr. / From Ser. Numb. : 501 (2015) SPC.Ed. 2015 – 01  
 Document review . 2015 - 11

PAG 1

Doc. **59785TL00**





| <b>A - Ugello bruciatore / Burner nozzle</b> |              |             |                       |                           |
|--|--------------|-------------|-----------------------|---------------------------|
| <b>Spare part Code</b>                       | <b>Notes</b> |             |                       | <b>Ref.</b>               |
| 0A2141                                       | ø1,65        | Propane     | G31 7,2" wc / 18 mbar | a, b, c, d,<br>e, f, g, h |
| 059382                                       | ø2,5         | Natural gas | G20 3" wc / 7 mbar    |                           |
| 0A2081                                       | ø2,3         | Natural gas | G20 4" wc/ 10 mbar    |                           |

| <b>A - Ugello bruciatore / Burner nozzle</b> |                     |        |                |                        |
|--|---------------------|--------|----------------|------------------------|
| <b>Spare part Code</b>                       | <b>Ref. / Notes</b> |        |                | <b>Ref.</b>            |
| 0A2103                                       | ø1.55               | 3+3B/P | G30 30mbar     | i, l, m, n, o, p, q, r |
| 0A2103                                       | ø1.55               | 3B/P   | G30/G31 37mbar |                        |
| 0A2103                                       | ø1.55               | 3B/P   | G30 50mbar     |                        |
| 0A2081                                       | ø2.30               | 2H/2E+ | G20 20mbar     |                        |
| 0A2081                                       | ø2.30               | 2H     | G20 25mbar     |                        |
| 059529                                       | ø2.55               | 2L     | G25 25mbar     |                        |
| 059529                                       | ø2.55               | 2ELL   | G25 20mbar     |                        |
| 059529                                       | ø2.55               | 2S     | G25.1 25mbar   |                        |

| <b>B - Ugello pilota / Pilot nozzle</b> |                     |              |             |                       |                        |
|---|---------------------|--------------|-------------|-----------------------|------------------------|
| <b>Spare part Code</b>                  | <b>Factory code</b> | <b>Notes</b> |             | <b>Ref.</b>           |                        |
| 0C9832                                  | 516839000           | n°27         | Propane     | G31 7,2" wc / 18 mbar | a, b, c, d, e, f, g, h |
| 0C9891                                  | 51489DN00           | n°29         | Natural gas | G20 3" wc / 7 mbar    | a, b, c, d, e, f, g, h |
| 0C9891                                  | 51489DN00           | n°29         | Natural gas | G20 4" wc/ 10 mbar    | a, b, c, d, e, f, g, h |
| 0C6621                                  | 511831200           | n°21         | 2H/2E+      | G20 20mbar            | i, l, m, n, o, p, q, r |
| 054286                                  | 514833900           | n°24         | 3+3B/P      | G30 30mbar            | i, l, m, n, o, p, q, r |
| 054286                                  | 514833900           | n°24         | 3B/P        | G30/G31 37mbar        | i, l, m, n, o, p, q, r |
| 054286                                  | 514833900           | n°24         | 3B/P        | G30 50mbar            | i, l, m, n, o, p, q, r |
| 0C9891                                  | 51489DN00           | n°29         | 2H          | G20 25mbar            | i, l, m, n, o, p, q, r |
| 0C9891                                  | 51489DN00           | n°29         | 2L          | G25 25mbar            | i, l, m, n, o, p, q, r |
| 0C9891                                  | 51489DN00           | n°29         | 2ELL        | G25 20mbar            | i, l, m, n, o, p, q, r |
| 0C9891                                  | 51489DN00           | n°29         | 2S          | G25.1 25mbar          | i, l, m, n, o, p, q, r |