

| "R 701" GRIGLIA A GAS "R 701" GAS GRILL | | | | | | | Da matricola from serial N° |
|--|----------------------|-----------------------|------------------------|-------------------------|------------------------|---------|-----------------------------------|
| R | | | | S | | | |
| A | 182000 RG/G 300 | 182011 RG/G 310 D | 182020 RG/G 300 F | 182 021 PRG/G 300 F | 182 031 RG/G 300 NL | 2SG02 B | 14 01 86 |
| B | 182100 RG/G 700 | 182 111 RG/G 710 D | 182 120 RG/G 700 F | 182 121 PRG/G 700 F | 182 131 RG/G 700 NL | 2SG04 B | |
| C | 182 200 RG/G 1000 | | 182 220 RG/G 1000 F | 182 221 PRG/G 1000 F | | 2SG06 B | |

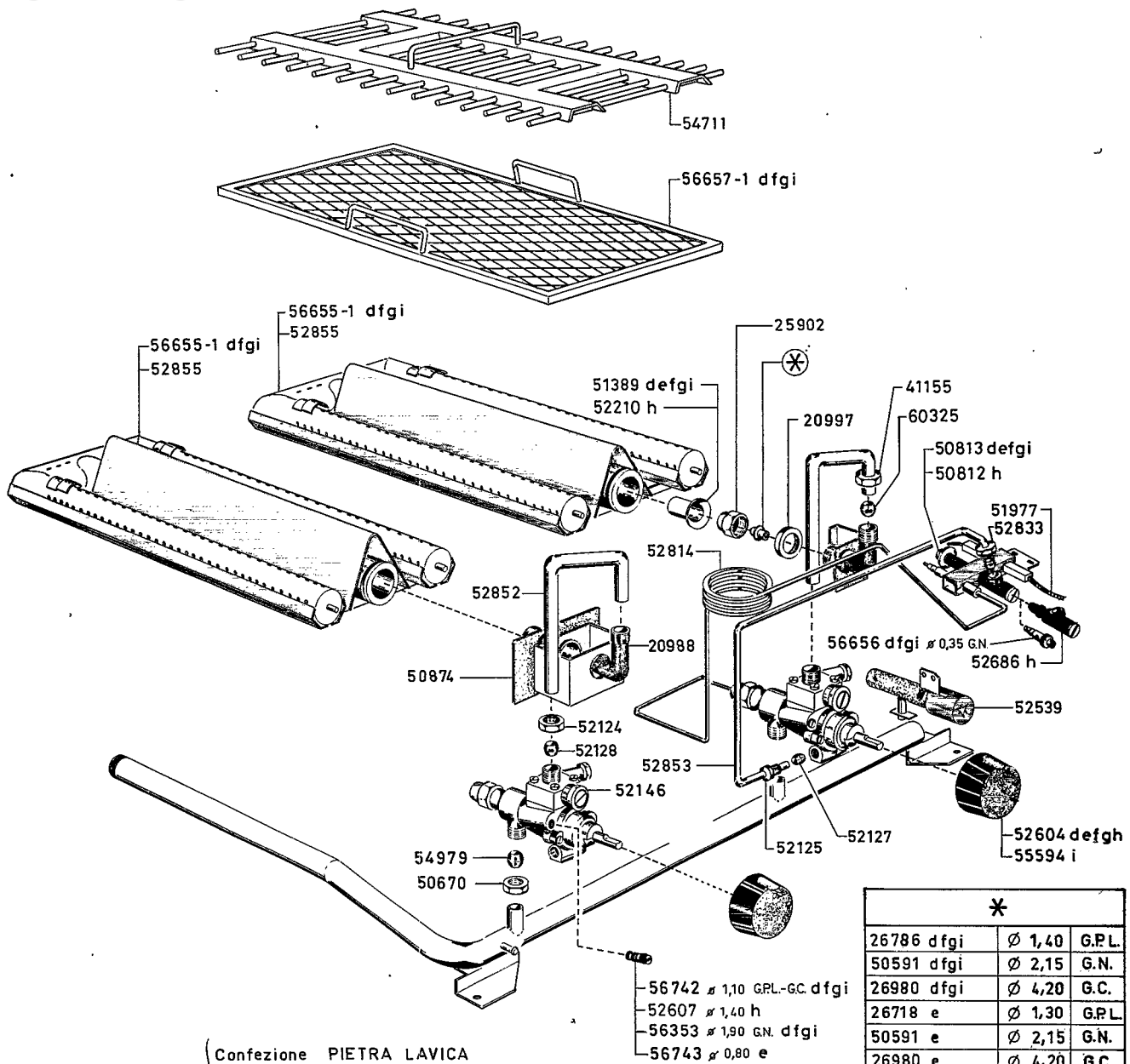
TCR 1286 03.54-07/03.54-08

Zanussi Grandi Impianti S.p.A.
Via Cesare Battisti, 12 - 31015 Conegliano (TV)
Italy

© RIPRODUZIONE, ANCHE PARZIALE, VIETATA

Revised 09-89

03 54-07



50859 { Confezione PIETRA LAVICA
LAVA MATERIAL Packet

- 56742 ø 1,10 GRL-GC. dfgi
- 52607 ø 1,40 h
- 56353 ø 1,90 G.N. dfgi
- 56743 ø 0,80 e

| * | | |
|------------|--------|--------|
| 26786 dfgi | Ø 1,40 | G.P.L. |
| 50591 dfgi | Ø 2,15 | G.N. |
| 26980 dfgi | Ø 4,20 | G.C. |
| 26718 e | Ø 1,30 | G.P.L. |
| 50591 e | Ø 2,15 | G.N. |
| 26980 e | Ø 4,20 | G.C. |
| 50807 e | Ø 2,40 | G.N. |
| 50528 e | Ø 3,90 | G.C. |
| 50591 h | Ø 2,15 | G.N. |

| "R 701" GRIGLIA A GAS "R 701" GAS GRILL | | | | | | RIE | Da matricola from serial N° |
|--|---------------------|----------------------|----------------------|---------------------|--------|-----|-----------------------------------|
| | | | | | | | 14 01 86 |
| d | e | f | g | h | i | | 1 06 03 89 |
| 182000 RG/G 300 | 182011 RG/G 310D | 182020 RG/G 300F | 182021 PRG/G300F | 182031 RG/G300NL | 2SG02B | | |
| 182100 RG/G 700 | 182111 RG/G710D | 182120 RG/G 700F | 182121 PRG/G700F | 182131 RG/G700NL | 2SG04B | | |
| 182200 RG/G1000 | | 182220 RG/G 1000F | 182221 PRG/G1000F | | 2SG06B | | |
| | | | | | | | 03 54-08 |