

"R 701" GRIGLIA A GAS "R 701" GAS GRILL							Da matricola from serial N°
R				S			
A	182000 RG/G 300	182011 RG/G 310D	182020 RG/G 300F	182 021 PRG/G300F	182 031 RG/G300NL	2SG02 B	14 01 86
B	182100 RG/G 700	182 111 RG/G 710D	182 120 RG/G 700F	182 121 PRG/G700F	182 131 RG/G700NL	2SG04 B	
C	182 200 RG/G 1000		182 220 RG/G1000 F	182 221 PRG/G1000 F		2SG06 B	

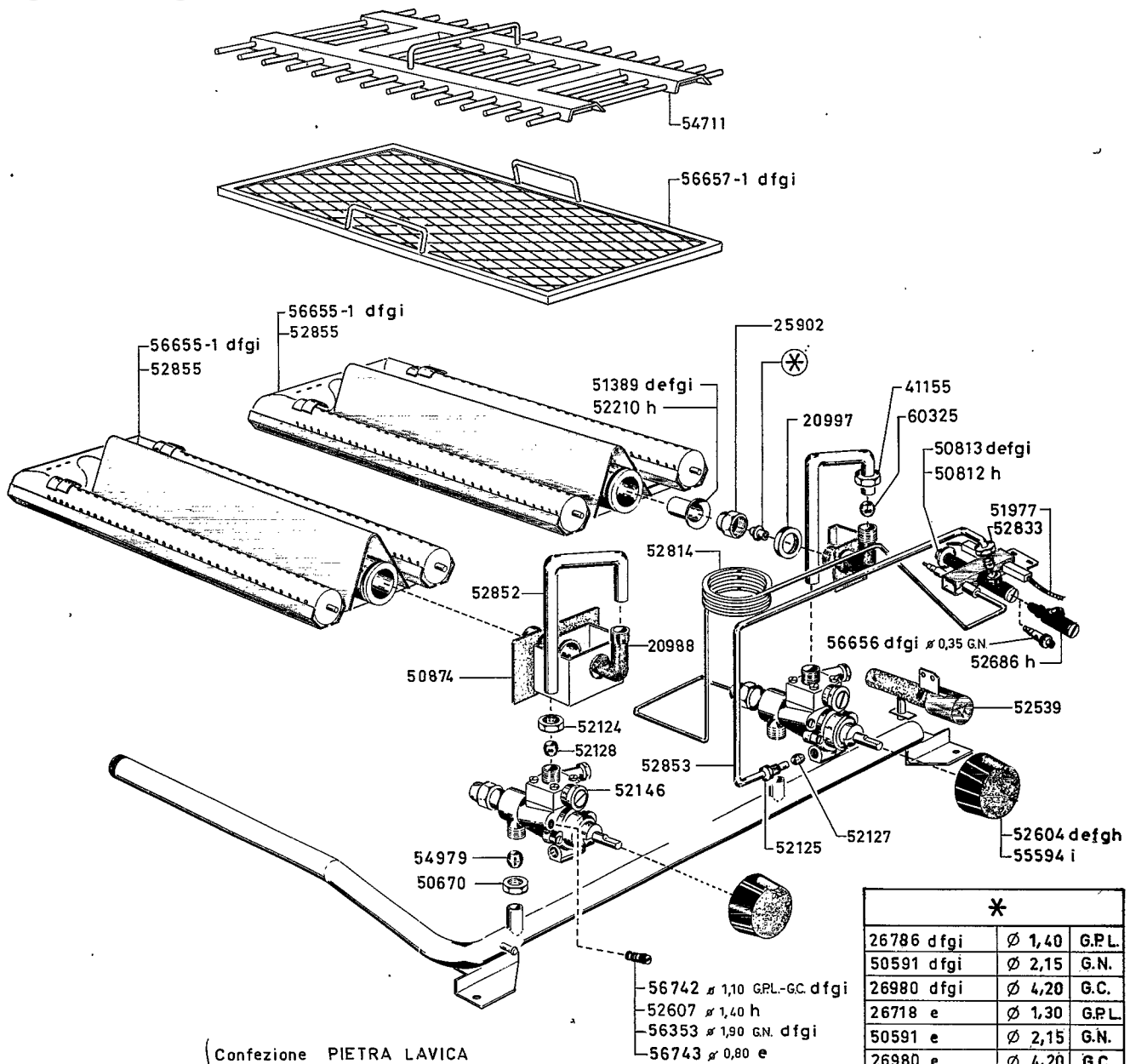
TCR 1286 03.54-07/03.54-08

Zanussi Grandi Impianti S.p.A.  
Via Cesare Battisti, 12 - 31015 Conegliano (TV)  
Italy

© RIPRODUZIONE, ANCHE PARZIALE, VIETATA

Revised 09-89

03 54-07



50859 { Confezione PIETRA LAVICA  
LAVA MATERIAL Packet

- 56742  $\varnothing$  1,10 GRL-GC. dfgi
- 52607  $\varnothing$  1,40 h
- 56353  $\varnothing$  1,90 G.N. dfgi
- 56743  $\varnothing$  0,80 e

*		
26786 dfgi	$\varnothing$ 1,40	G.P.L.
50591 dfgi	$\varnothing$ 2,15	G.N.
26980 dfgi	$\varnothing$ 4,20	G.C.
26718 e	$\varnothing$ 1,30	G.P.L.
50591 e	$\varnothing$ 2,15	G.N.
26980 e	$\varnothing$ 4,20	G.C.
50807 e	$\varnothing$ 2,40	G.N.
50528 e	$\varnothing$ 3,90	G.C.
50591 h	$\varnothing$ 2,15	G.N.

"R 701" GRIGLIA A GAS "R 701" GAS GRILL						RIE	Da matricola from serial N°
							14 01 86
d	e	f	g	h	i		1 06 03 89
182000 RG/G 300	182011 RG/G 310D	182020 RG/G 300F	182021 PRG/G300F	182 031 RG/G300NL	2SG02B		
182100 RG/G 700	182111 RG/G710D	182 120 RG/G 700F	182 121 PRG/G700F	182 131 RG/G700NL	2SG 04 B		
182200 RG/G1000		182 220 RG/G 1000F	182 221 PRG/G1000F		2SG06B		
							03 54-08