

| "R 701" GRIGLIA A GAS SU VANO "R 701" GAS GRILL ON OPEN COUPBOARD | | | | | | | RIF. REF. | Da matricola from serial N |
|--|-----------------------|------------------------|-------------------------|------------------------|------------------------|-----------|-----------|----------------------------------|
| R | | | | | S | | | 14 01 86 |
| A | 192 000 RGV/G 300 | 192 011 RGV/G 310 D | 192 020 RGV/G 300 F | 192 021 PRGV/G 300 | 192 031 RGV/G 300NL | 2 SG 12 B | | |
| B | 192 100 RGV/G 700 | 192 111 RGV/G 710 D | 192 120 RGV/G 700 F | 192 121 PRGV/G 700 | 192 131 RGV/G 700NL | 2 SG 14 B | | |
| C | 192 200 RGV/G 1000 | | 192 220 RGV/G 1000 F | 192 221 PRGV/G 1000 | | 2 SG 16 B | | |

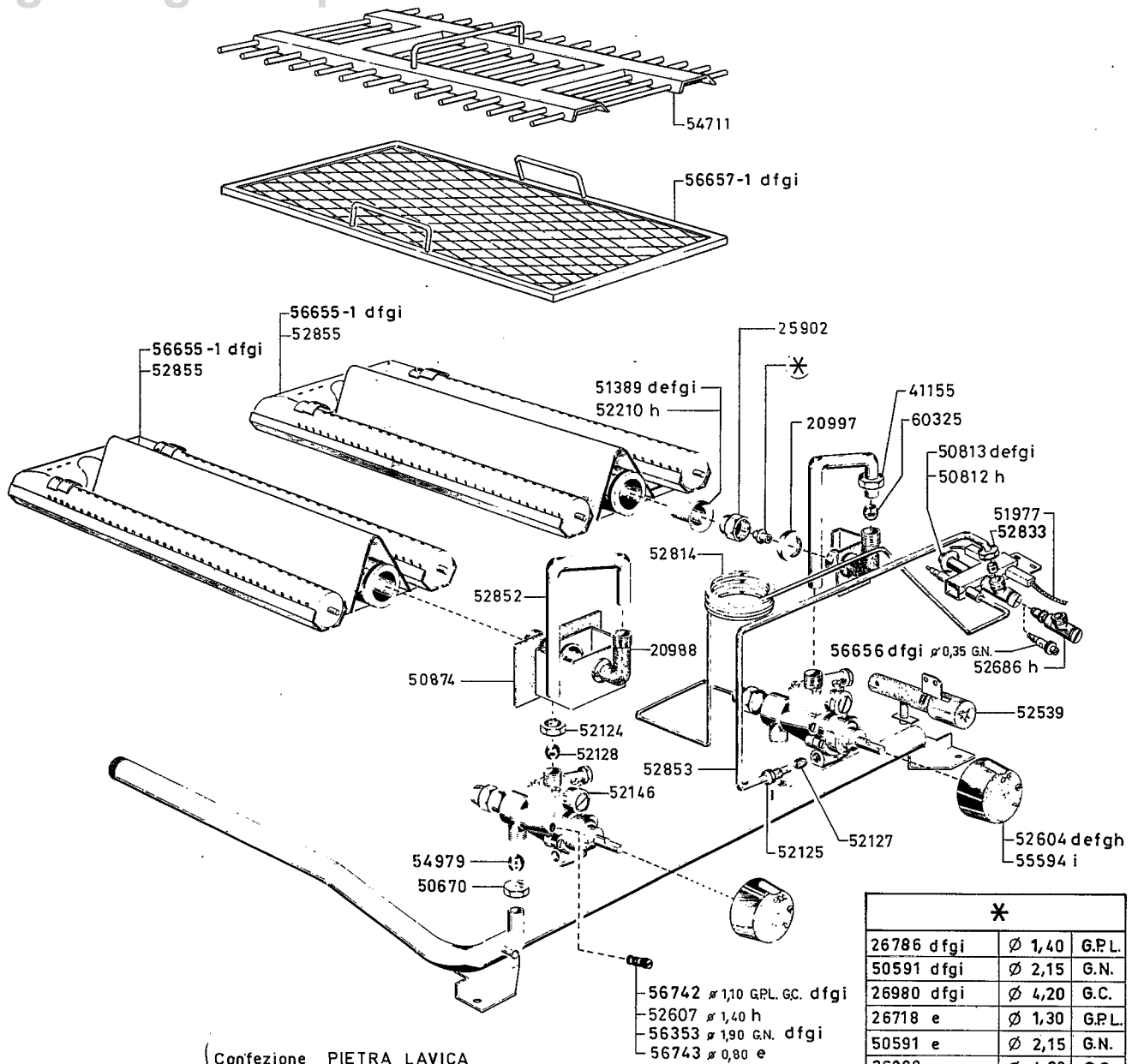
TCR 1287 03.54-09/03.54-10

Zanussi Grandi Impianti S.p.A.
Via Cesare Battisti, 12 - 31015 Conegliano (TV)
Italy

© RIPRODUZIONE, ANCHE PARZIALE, VIETATA

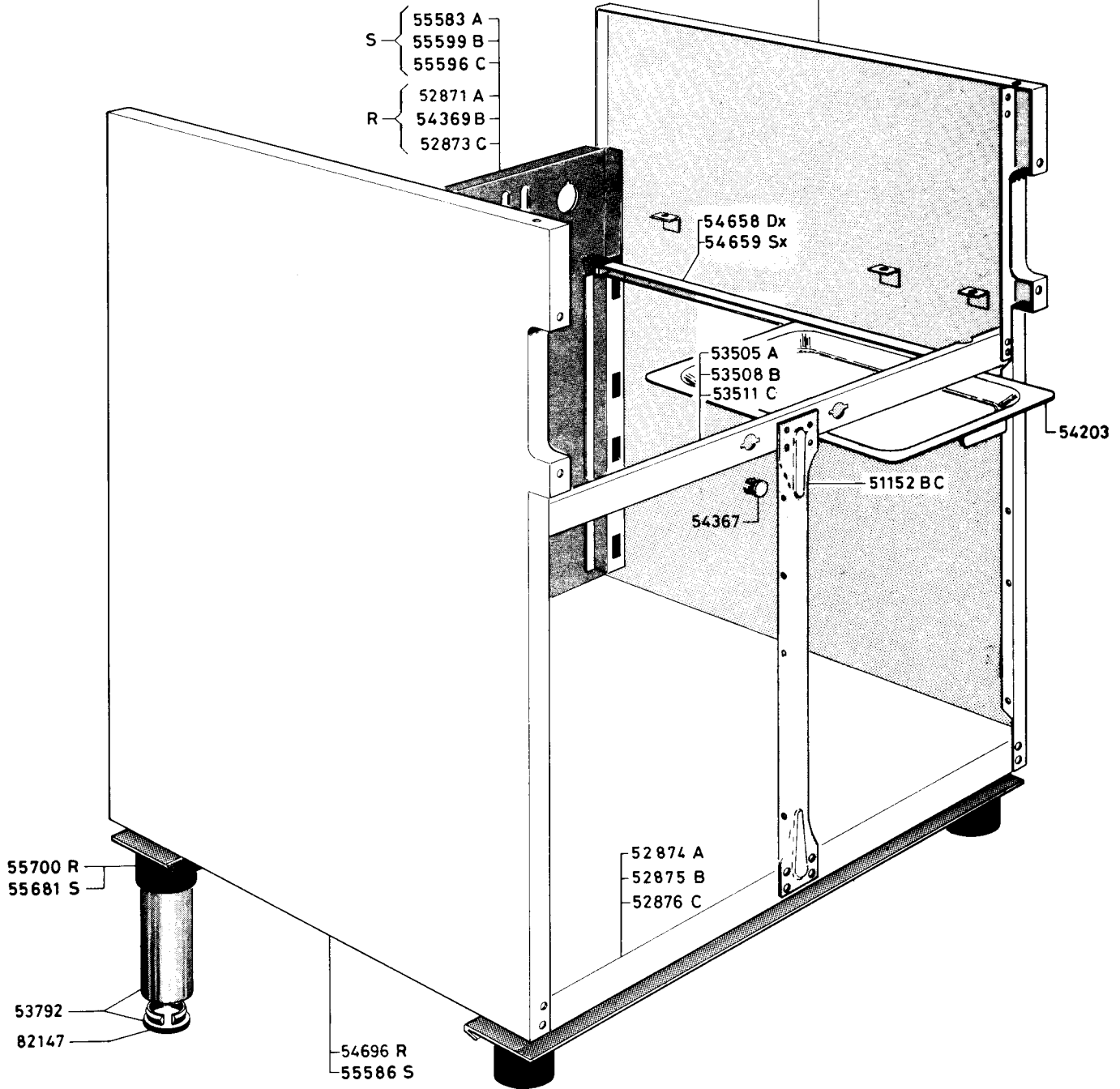
Revised 09-89

03 54-09



| * | | |
|------------|--------------------|--------|
| 26786 dfgi | \varnothing 1,40 | G.P.L. |
| 50591 dfgi | \varnothing 2,15 | G.N. |
| 26980 dfgi | \varnothing 4,20 | G.C. |
| 26718 e | \varnothing 1,30 | G.P.L. |
| 50591 e | \varnothing 2,15 | G.N. |
| 26980 e | \varnothing 4,20 | G.C. |
| 50807 e | \varnothing 2,40 | G.N. |
| 50528 e | \varnothing 3,90 | G.C. |
| 50591 h | \varnothing 2,15 | G.N. |

| "R701" GRIGLIA A GAS SU VANO "R701" GAS GRILL ON OPEN COUPBOARD | | | | | | RIF REF | Da matricola from serial N° |
|--|------------------------|-------------------------|------------------------|------------------------|-----------|------------|-----------------------------------|
| | | | | | | | 14 01 86 |
| d | e | f | g | h | i | 1 | 06 03 89 |
| 192 000 RGV/G 300 | 192 011 RGV/G 310 D | 192 020 RGV/G 300 F | 192 021 PRGV/G 300 | 192 031 RGV/G 300NL | 2 SG12 B | | |
| 192 100 RGV/G 700 | 192 111 RGV/G710D | 192 120 RGV/G700 F | 192 121 PRGV/G 700 | 192 131 RGV/G700NL | 2 SG14 B | | |
| 192 200 RGV/G 1000 | | 192 220 RGV/G 1000 F | 192 221 PRGV/G 1000 | | 2 SG 16 B | | |
| | | | | | | 03 | 54 - 10 |



"R701" GRIGLIA A GAS SU VANO
 "R701" GAS GRILL ON OPEN COUPBOARD

RIF. Da matricola
 REF. from serial
 N

| R | | | | | S | | | 14 01 86 |
|---|-----------------------|------------------------|------------------------|-----------------------|------------------------|-----------|--|----------|
| A | 192 000 RGV/G 300 | 192 011 RGV/G 310 D | 192 020 RGV/G 300 F | 192 021 PRGV/G 300 | 192 031 RGV/G 300NL | 2 SG 12 B | | |
| B | 192 100 RGV/G 700 | 192 111 RGV/G710 D | 192 120 RGV/G700 F | 192 121 PRGV/G 700 | 192 131 RGV/G700NL | 2 SG 14 B | | |
| C | 192 200 RGV/G 1000 | | 192 220 RGV/G1000 F | 192 221 PRGV/G1000 | | 2 SG 16 B | | |