



SPARE PARTS CATALOGUE
 CATALOGO PARTI DI RICAMBIO
GAS GRILL E700 XP
GRIGLIA GAS E700 XP

PNC	Model	Ref	Brand	Notes
371237	E7GRGDGCFU	A	ELX	GRILL ON BASE 400MM
371238	E7GRGHGCFU	B	ELX	GRILL ON BASE 800MM
372237	Z7GRGDGCFU	C	ZAN	GRILL ON BASE 400MM
372238	Z7GRGHGCFU	D	ZAN	GRILL ON BASE 800MM

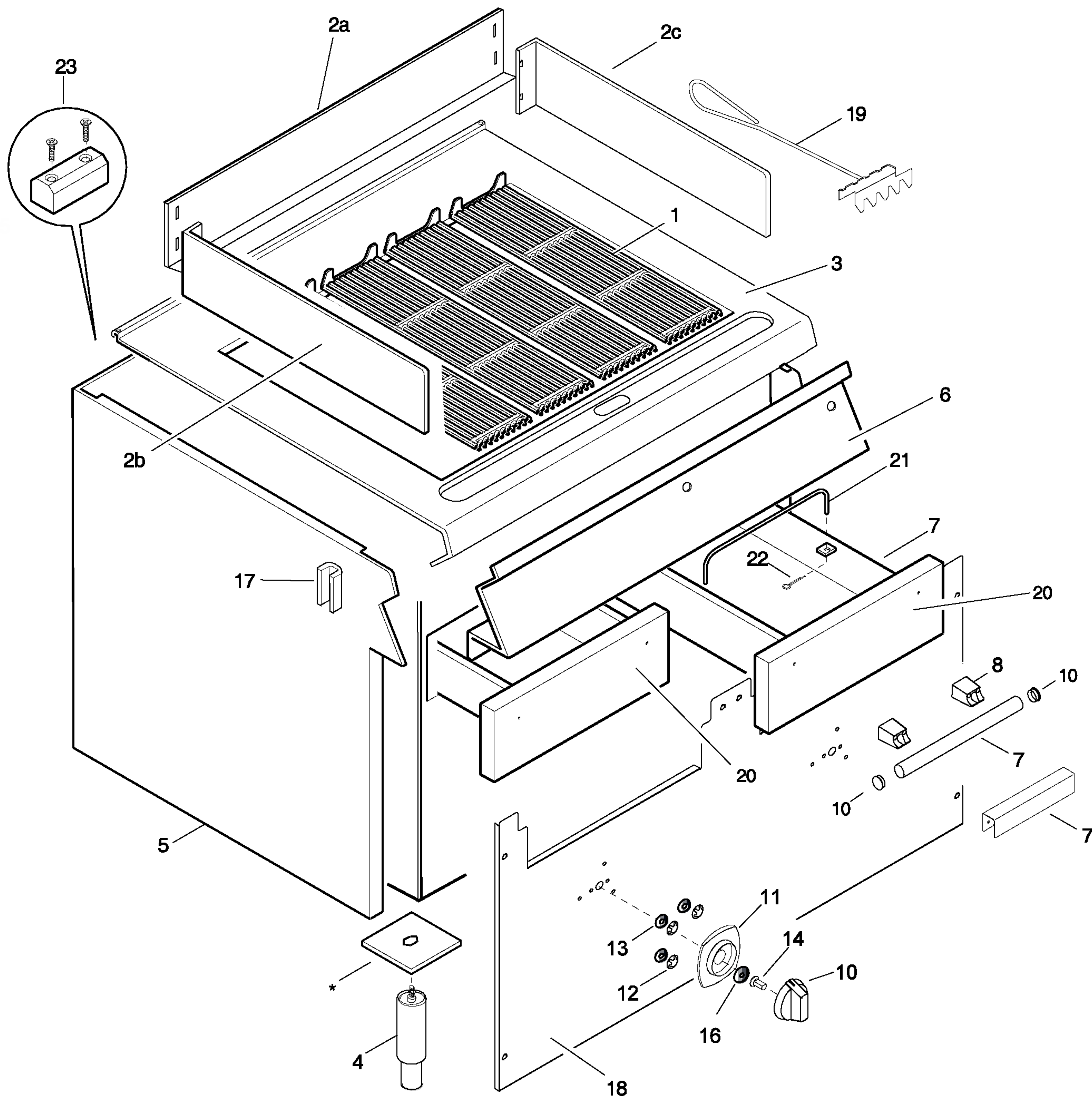
Pag	Index	Indice
2	General componets	Componenti struttura
3	Gas components	Componenti gas
4,5	Spare parts list	Lista ricambi
6	Gas nozzels	Ugelli gas

* =Component on demand / componente a richiesta

** = Bold text = changes / Grassetto = cambiamenti

Start production wk 37-2014 / **PAG 1** Document Ed.1 / 07 2015

Doc. **59785T200**

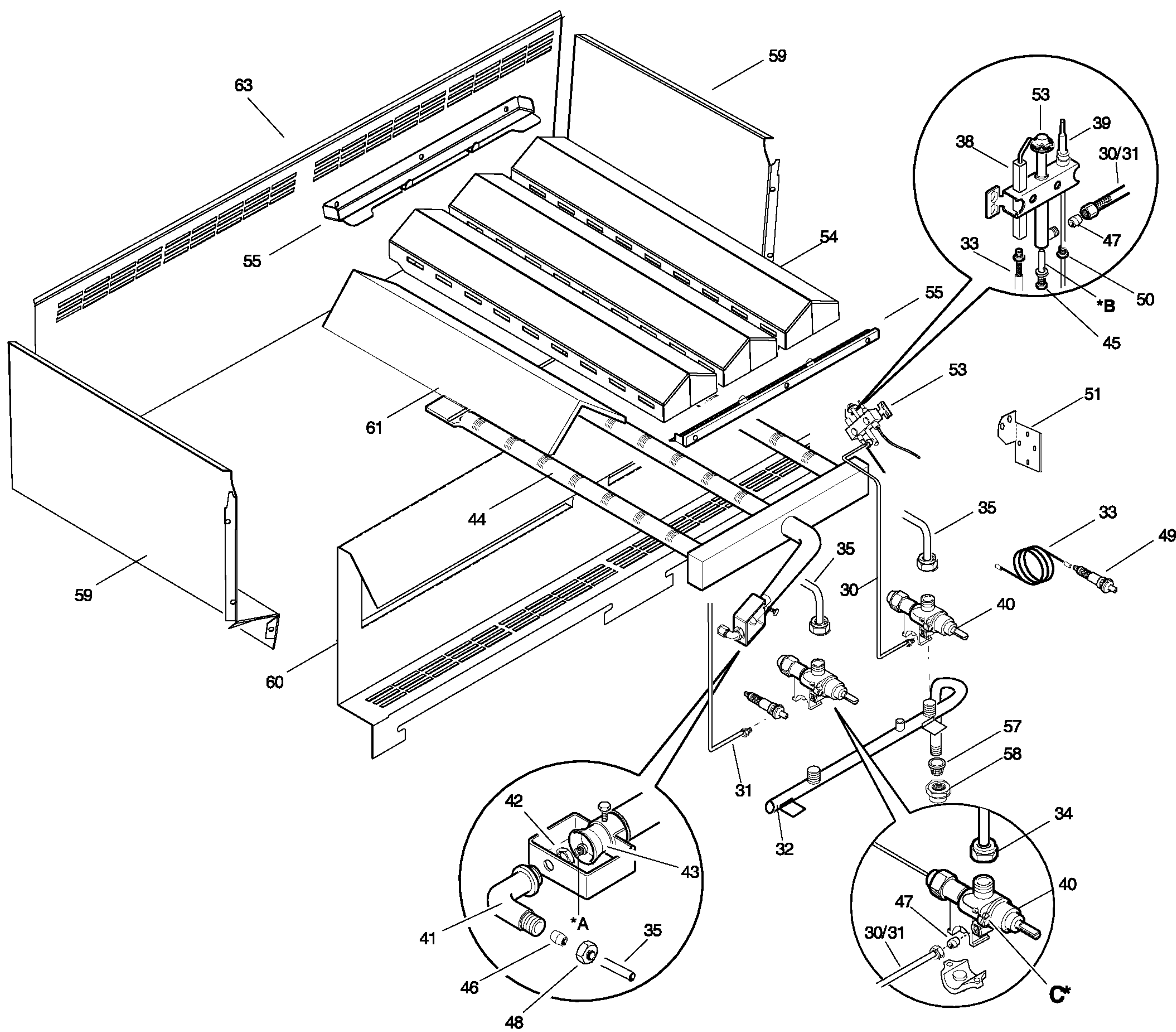


* =Component on demand / componente a richiesta

** = Bold text = changes / Grassetto = cambiamenti

Start production wk 37-2014 / **PAG 2** Document Ed.1 / 09 2014

Doc. **59785T200**



* =Component on demand / componente a richiesta

** = Bold text = changes / Grassetto = cambiamenti

Start production wk 37-2014 / **PAG 3** Document Ed.1 / 09 2014

Doc. **59785T200**

Gas nozzles / Ugelli gas

A - Ugello bruciatore / Burner nozzle			
Spare Code	Ref. / Notes		
0A2105	ø2.00	2H/2E+	G20 20mbar
0A2102	ø2.10	2H	G20 25mbar
0A5356	ø2.35	2ELL	G25 20mbar
0A2475	ø2.25	2L	G25 25mbar
0A2475	ø2.25	2S	G25.1 25mbar
0A2082	ø1.40	3+3B/P	G30 30mbar
0A2533	ø1.35	3B/P	G30 36mbar
0A2101	ø1.25	3B/P	G30 50mbar
058980	ø2.45	No CE	G20 10mbar
059040	ø4.80	1a	G110
005045	ø4.30	1b	G120

B - Ugello pilota / Pilot nozzle			
Spare Code	Ref. / Notes		
056656	n°35	2H/2E+	G20 20mbar
056656	n°35	2H	G20 25mbar
056656	n°35	2ELL	G25 20mbar
056656	n°35	2L	G25 25mbar
056656	n°35	2S	G25.1 25mbar
058330	n°25	3+3B/P	G30 30mbar
058330	n°25	3B/P	G30 36mbar
058330	n°25	3B/P	G30 50mbar
058330	n°35	No CE	G20 10mbar
056798	n°70	1a	G110
056798	n°70	1b	G120

C - Vite di minimo / Min screw			
Spare Code	Ref. / Notes		
006193	n°160	2H/2E+	G20 20mbar
006193	n°160	2H	G20 25mbar
006193	n°160	2ELL	G25 20mbar
006193	n°160	2L	G25 25mbar
006193	n°160	2S	G25.1 25mbar
002902	n°105	3+3B/P	G30 30mbar
002902	n°105	3B/P	G30 36mbar
002909	n°95	3B/P	G30 50mbar
-	adjust	No CE	G20 10mbar
-	adjust	1a	G110
-	adjust	1b	G120

* =Component on demand / componente a richiesta

** = Bold text = changes / Grassetto = cambiamenti

Start production wk 37-2014 / **PAG 6** Document Ed.1 / 09 2014

Doc. **59785T200**