



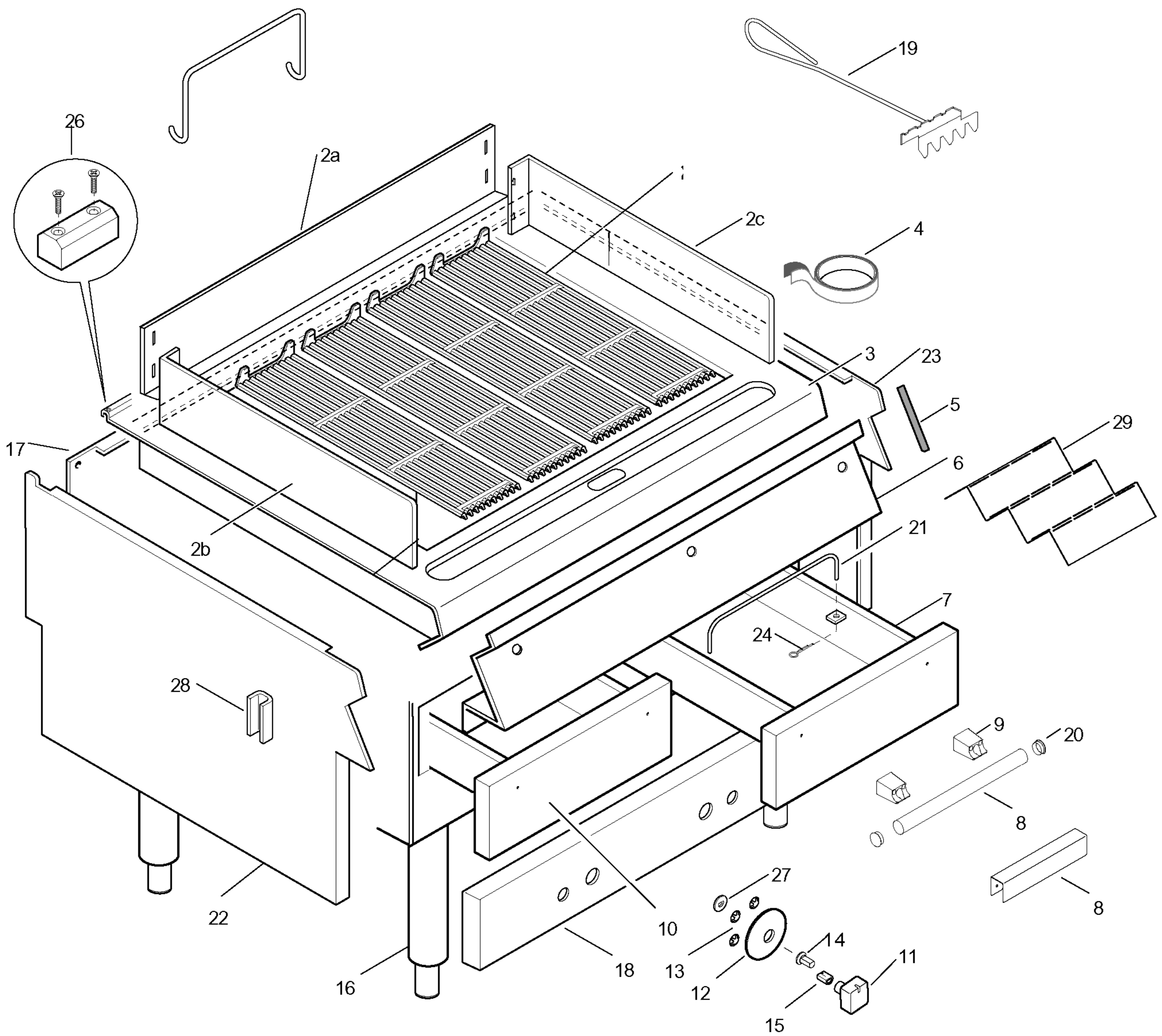
SPARE PARTS CATALOGUE
 CATALOGO PARTI DI RICAMBIO
GRIGLIA GAS ED ELETTRICA E900XP
GAS AND ELECTRIC GRILL E900XP

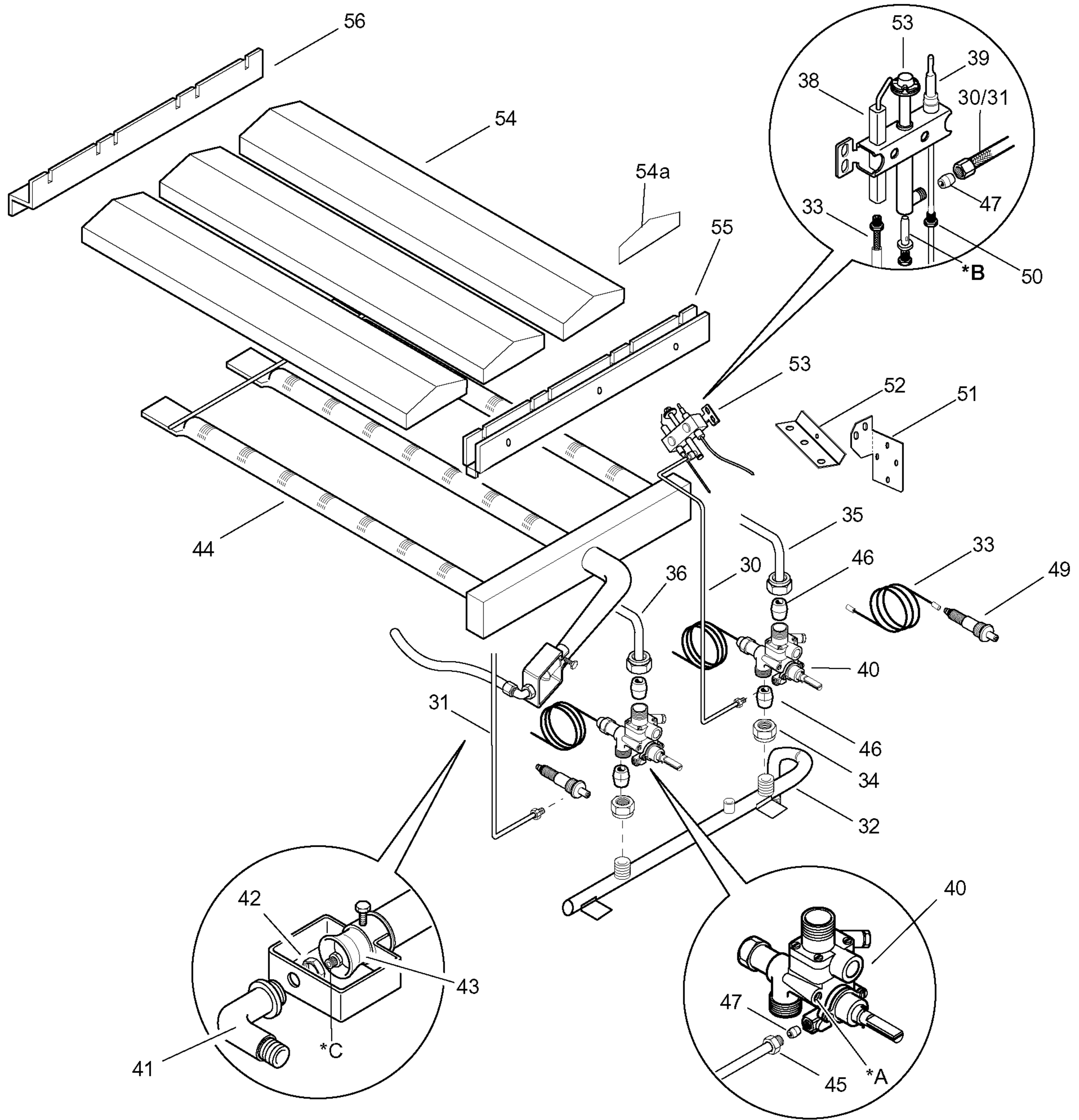
PNC	Model	Ref	Pag.	Brand	Version	Notes
391063	E9GRGDGCF0	a	2...4	ELX	GAS	GAS GRILL 400 MM
391064	E9GRGHGCF0	b	2...4	ELX	GAS	GAS GRILL 800 MM
391197	E9GRTDG00	c	2...4	ELX	GAS	GAS GRILL 400 MM TOWN GAS
391198	E9GRTHGC00	d	2...4	ELX	GAS	GAS GRILL 800 MM TOWN GAS
391075	E9GREDGCF0	e	2...4	ELX	EL	ELECTRIC GRILL 400 MM
391076	E9GREHGCF0	f	2...4	ELX	EL	ELECTRIC GRILL 800 MM
392063	Z9GRGDGCF0	g	2...4	ZAN	GAS	GAS GRILL 400 MM
392064	Z9GRGHGCF0	h	2...4	ZAN	GAS	GAS GRILL 800 MM
392197	Z9GRTDGC00	i	2...4	ZAN	GAS	GAS GRILL 400 MM TOWN GAS
392198	Z9GRTHGC00	l	2...4	ZAN	GAS	GAS GRILL 800 MM TOWN GAS
392075	Z9GREDGCF0	m	2...4	ZAN	EL	ELECTRIC GRILL 400 MM
392076	Z9GREHGCF0	n	2...4	ZAN	EL	ELECTRIC GRILL 800 MM
393063	A9GRGDGCF0	o	2...4	OEM	GAS	GAS GRILL 400 MM
393064	A9GRGHGCF0	p	2...4	OEM	GAS	GAS GRILL 800 MM
393075	A9GREDGCF0	q	2...4	OEM	EL	ELECTRIC GRILL 400 MM
393076	A9GREHGCF0	r	2...4	OEM	EL	ELECTRIC GRILL 800 MM

Pag	Index	Indice	Note
2	General componets	Componenti struttura	
3	Gas components	Componenti Gas	
4	Electric Components	Componenti elettrici	
5,6,7	Spare parts list	Lista ricambi	

Brand/Marchio: All
 Factory code: 9PDX

From sr. Nr/ Da Ser. Nr.: 116





A - Vite di minimo / Min screw			
6DGT Code	Ref./ Notes		
002993	n°180	2H/2E+	G20 20mbar
002993	n°180	2H	G20 25mbar
002993	n°180	2ELL	G25 20mbar
002993	n°180	2L	G25 25mbar
002993	n°180	2S	G25.1 25mbar
056742	n°110	3+3B/P	G30/31 30mbar
056742	n°110	3B/P	G30/31 36mbar
002392	n°95	3B/P	G30/31 50mbar
002494	n°220	No CE	G20 10mbar
-	adjust		G110
-	adjust		G120

B - Ugello pilota / Pilot nozzle			
6DGT Code	Ref./ Notes		
056656	n°35	2H/2E+	G20 20mbar
056656	n°35	2H	G20 25mbar
056656	n°35	2ELL	G25 20mbar
056656	n°35	2L	G25 25mbar
056656	n°35	2S	G25.1 25mbar
058330	n°25	3+3B/P	G30/31 30mbar
058330	n°25	3B/P	G30/31 36mbar
058330	n°25	3B/P	G30/31 50mbar
056656	n°35	No CE	G20 10mbar
056798	n°70		G110
056798	n°70		G120

C - Ugello bruciatore / Burner nozzle			
6DGT Code	Ref. / Notes		
059382	ø2.50	2H/2E+	G20 20mbar
0A5356	ø2.35	2H	G20 25mbar
0A2868	ø2.75	2ELL	G25 20mbar
0A2570	ø2.60	2L	G25 25mbar
0A2570	ø2.60	2S	G25.1 25mbar
0A2141	ø1.65	3+3B/P	G30/31 30mbar
0A2103	ø1.55	3B/P	G30/31 36mbar
0A2091	ø1.45	3B/P	G30/31 50mbar
059358	ø2,85	No CE	G20 10mbar
0C0449	ø5.40		G110
003951	ø4.70		G120

