

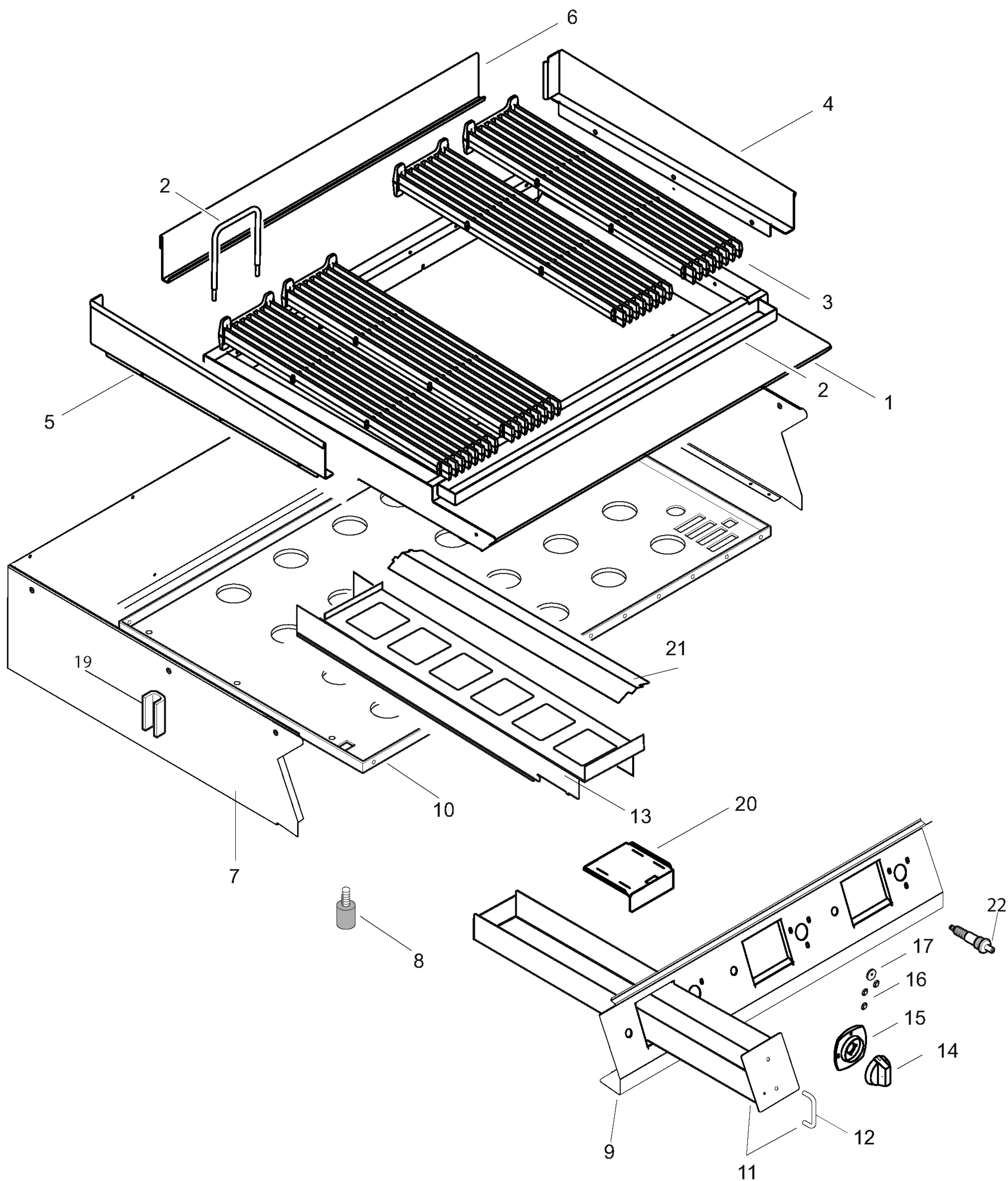


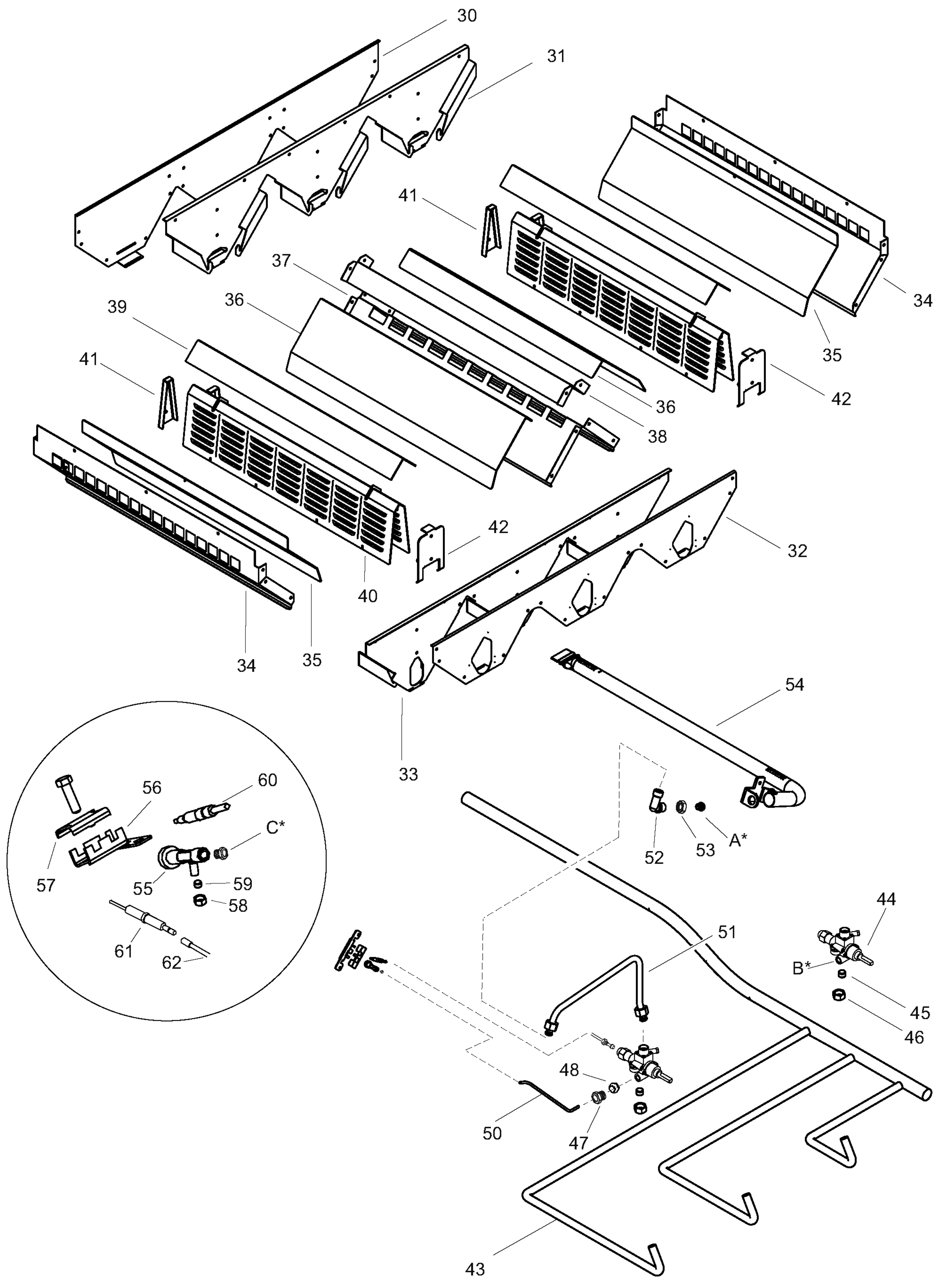
SPARE PARTS CATALOGUE
 CATALOGO PARTI DI RICAMBIO
GRIGLIE GAS HP E900 XP
GAS CHARBROILER HPE900 XP

PNC	Model	Pag	Brand	Ref	Description
391219	E9GRGDGCP	2...6	ELX	a	TOP HP 400 MM
391065	E9GRGHGCOP	2...6	ELX	b	TOP HP 800 MM
391066	E9GRGLGCOP	2...6	ELX	c	TOP HP 1200 MM
392219	Z9GRGDGCP	2...6	ZAN	d	TOP HP 400 MM
392065	Z9GRGHGCOP	2...6	ZAN	e	TOP HP 800 MM
391186	E9GRTDGCOP	2...6	ELX	f	TOP HP 400 MM
391187	E9GRTHGCOP	2...6	ELX	g	TOP HP 800 MM
391188	E9GRTLGCOP	2...6	ELX	h	TOP HP 1200 MM
392186	Z9GRTDGCOP	2...6	ZAN	i	TOP HP 400 MM
392187	Z9GRTHGCOP	2...6	ZAN	J	TOP HP 800 MM

Pag	Index	Indice	Note
2	General componets	Componenti struttura	
3	Gas components	Componenti Gas	
4,5,6	Spare parts list	Lista ricambi	
6	Nozzle	Ugelli	

Brand/Marchio: All
 Factory code: 9PDX





A - Ugello bruciatore / Burner nozzle			
CODE	Spare part code	Ref. / Notes	
A05176000	058980	ø2.45	2H/2E+ G20 20mbar
A05158300	0A2081	Ø2.30	2H G20 25mbar
A05230100	056795	ø2.70	2ELL G25 20mbar
514895900	059529	ø2.55	2L G25 25mbar
514895900	059529	Ø2.55	2S G25.1 25 mbar
A05230300	0A2141	ø1.65	3+3B/P G30 30mbar
A05177600	0A2103	ø1.55	3B/P G30 37mbar
A05158800	0A2091	ø1.45	3B/P G30 50mbar
516832900	0C8699	ø5,60	I1e G150 8mbar
514884600	059315	ø1.75	Propane KOREA
A05662000	0A5356	ø2.35	Methane KOREA

B - Vite di minimo / Min screw			
CODE	Spare part code	Ref. / Notes	
835837000	002993	Ø1.80	2H/2E+ G20 20mbar
835837000	002993	Ø1.80	2H G20 25mbar
835837000	002993	Ø1.80	2ELL G25 20mbar
835837000	002993	Ø1.80	2L G25 25mbar
835837000	002993	Ø1.80	2S G25.1 25 mbar
835820700	056742	Ø1,10	3+3B/P G30 30mbar
835802000	002392	Ø0.95	3B/P G30 37mbar
835802000	002392	Ø0.95	3B/P G30 50mbar
adjust / regolabile	*	*	I1e G150 8mbar
835820700	056742	Ø1,10	Propane KOREA
835837000	002993	Ø1.80	Methane KOREA

C - Ugello Pilota / Burner nozzle			
CODE	Spare part code	Ref./ Notes	
830803600	058525	n°30	2H/2E+ G20 20mbar
830803600	058525	n°30	2H G20 25mbar
830803600	058525	n°30	2ELL G25 20mbar
830803600	058525	n°30	2L G25 25mbar
830803600	058525	n°30	2S G25.1 25 mbar
830803600	058525	n°20	3+3B/P G30 30mbar
A05447200	056799	n°20	3B/P G30 37mbar
A05447200	056799	n°20	3B/P G30 50mbar
A05414700	056798	n°70	I1e G150 8mbar
A05447200	056799	n°20	Propane KOREA
830803600	058525	n°30	Methane KOREA