



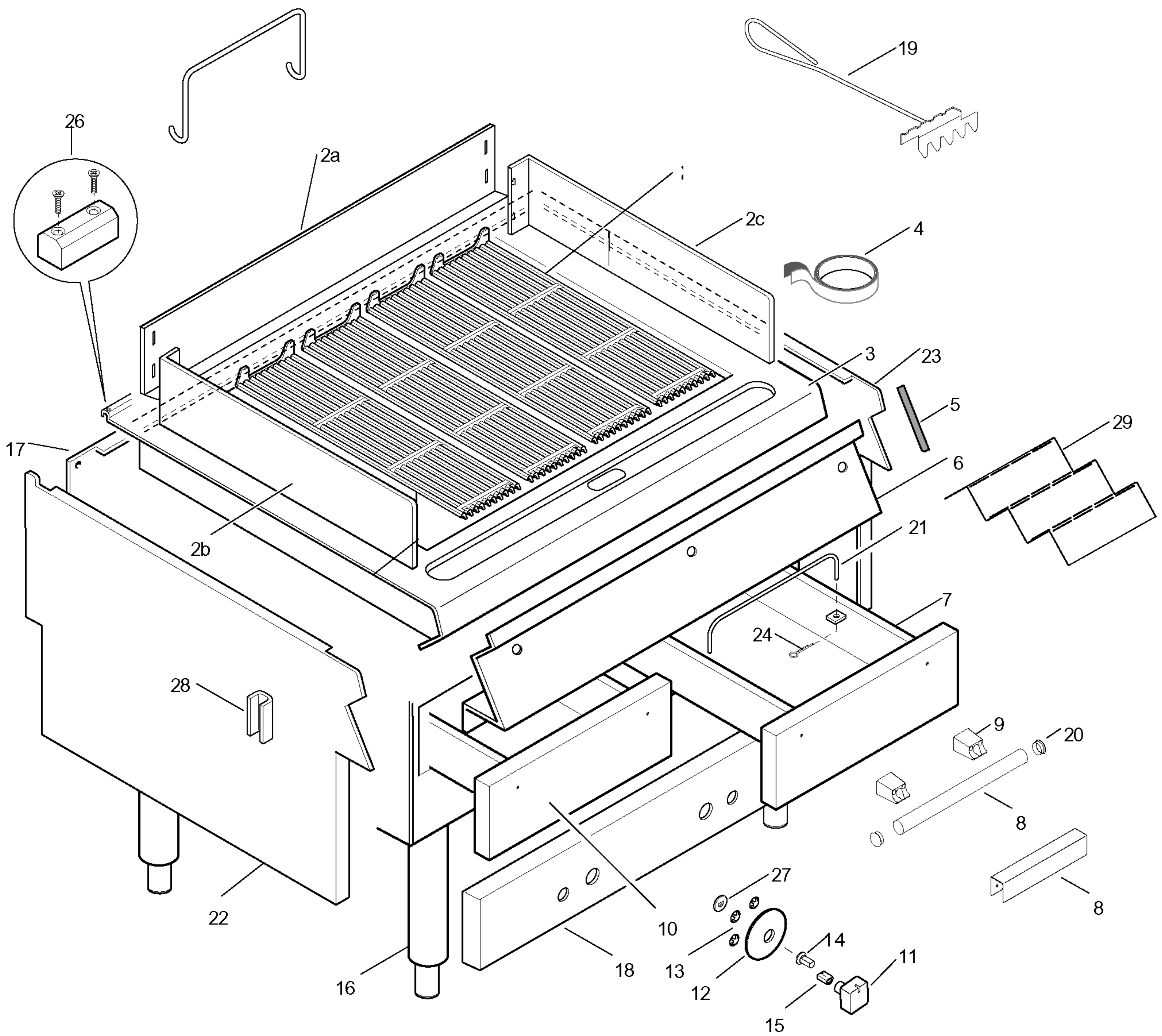
SPARE PARTS CATALOGUE
 CATALOGO PARTI DI RICAMBIO
GRIGLIA GAS ED ELETTRICA E900XP
GAS AND ELECTRIC GRILL E900XP

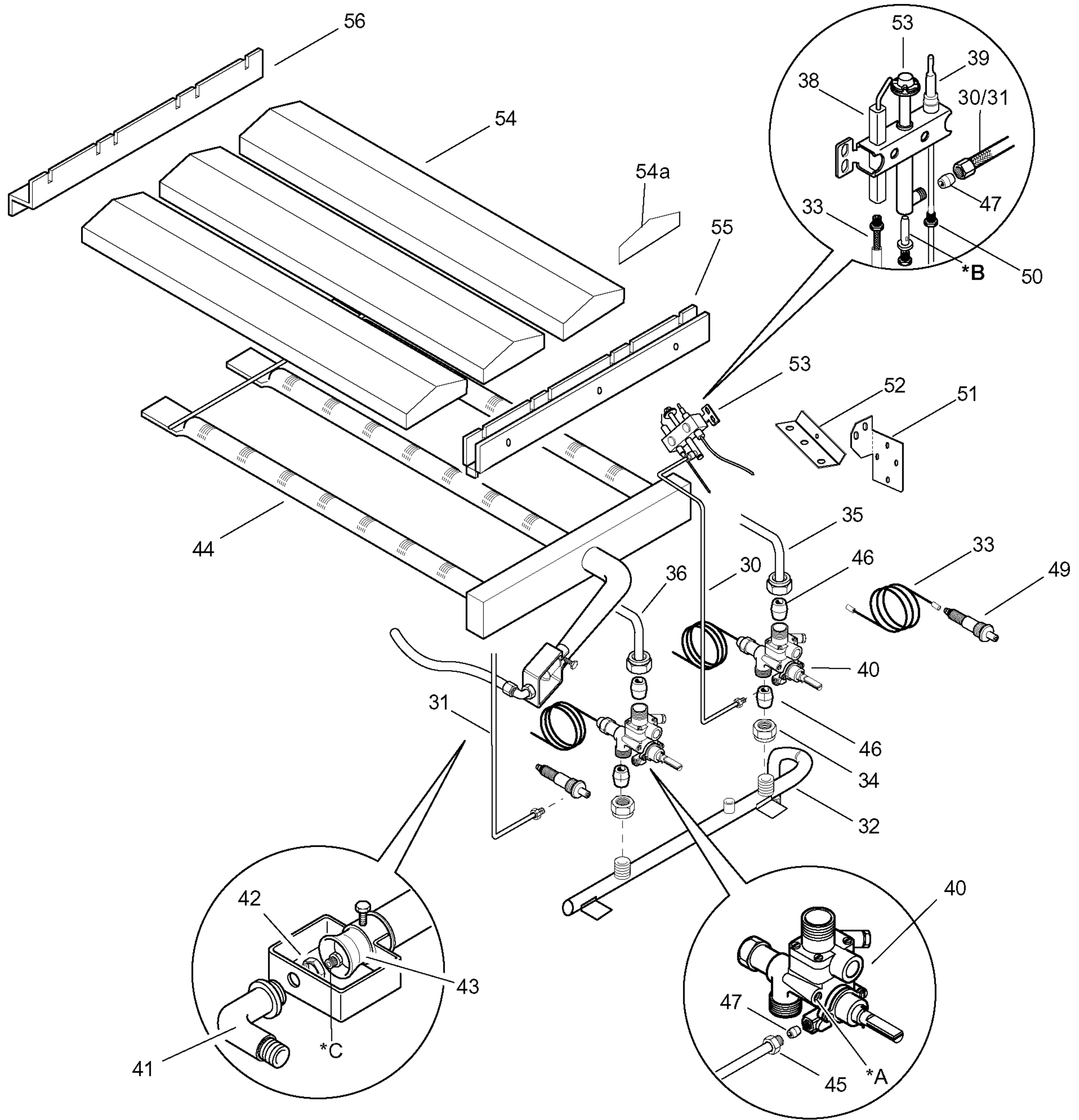
| PNC | Model | Ref | Pag. | Brand | Version | Notes |
|--------|------------|-----|-------|-------|---------|---------------------------|
| 391063 | E9GRGDGCF0 | a | 2...4 | ELX | GAS | GAS GRILL 400 MM |
| 391064 | E9GRGHGCF0 | b | 2...4 | ELX | GAS | GAS GRILL 800 MM |
| 391197 | E9GRTDG00 | c | 2...4 | ELX | GAS | GAS GRILL 400 MM TOWN GAS |
| 391198 | E9GRTHGC00 | d | 2...4 | ELX | GAS | GAS GRILL 800 MM TOWN GAS |
| 391075 | E9GREDGCF0 | e | 2...4 | ELX | EL | ELECTRIC GRILL 400 MM |
| 391076 | E9GREHGCF0 | f | 2...4 | ELX | EL | ELECTRIC GRILL 800 MM |
| 392063 | Z9GRGDGCF0 | g | 2...4 | ZAN | GAS | GAS GRILL 400 MM |
| 392064 | Z9GRGHGCF0 | h | 2...4 | ZAN | GAS | GAS GRILL 800 MM |
| 392197 | Z9GRTDGC00 | i | 2...4 | ZAN | GAS | GAS GRILL 400 MM TOWN GAS |
| 392198 | Z9GRTHGC00 | l | 2...4 | ZAN | GAS | GAS GRILL 800 MM TOWN GAS |
| 392075 | Z9GREDGCF0 | m | 2...4 | ZAN | EL | ELECTRIC GRILL 400 MM |
| 392076 | Z9GREHGCF0 | n | 2...4 | ZAN | EL | ELECTRIC GRILL 800 MM |
| 393063 | A9GRGDGCF0 | o | 2...4 | OEM | GAS | GAS GRILL 400 MM |
| 393064 | A9GRGHGCF0 | p | 2...4 | OEM | GAS | GAS GRILL 800 MM |
| 393075 | A9GREDGCF0 | q | 2...4 | OEM | EL | ELECTRIC GRILL 400 MM |
| 393076 | A9GREHGCF0 | r | 2...4 | OEM | EL | ELECTRIC GRILL 800 MM |

| Pag | Index | Indice | Note |
|-------|---------------------|----------------------|------|
| 2 | General componets | Componenti struttura | |
| 3 | Gas components | Componenti Gas | |
| 4 | Electric Components | Componenti elettrici | |
| 5,6,7 | Spare parts list | Lista ricambi | |

Brand/Marchio: All
 Factory code: 9PDX

From sr. Nr/ Da Ser. Nr.: 116





| A - Vite di minimo / Min screw | | | |
|--------------------------------|-------------|--------|---------------|
| 6DGT Code | Ref./ Notes | | |
| 002993 | n°180 | 2H/2E+ | G20 20mbar |
| 002993 | n°180 | 2H | G20 25mbar |
| 002993 | n°180 | 2ELL | G25 20mbar |
| 002993 | n°180 | 2L | G25 25mbar |
| 002993 | n°180 | 2S | G25.1 25mbar |
| 056742 | n°110 | 3+3B/P | G30/31 30mbar |
| 056742 | n°110 | 3B/P | G30/31 36mbar |
| 002392 | n°95 | 3B/P | G30/31 50mbar |
| 002494 | n°220 | No CE | G20 10mbar |
| - | adjust | | G110 |
| - | adjust | | G120 |

| B - Ugello pilota / Pilot nozzle | | | |
|----------------------------------|-------------|--------|---------------|
| 6DGT Code | Ref./ Notes | | |
| 056656 | n°35 | 2H/2E+ | G20 20mbar |
| 056656 | n°35 | 2H | G20 25mbar |
| 056656 | n°35 | 2ELL | G25 20mbar |
| 056656 | n°35 | 2L | G25 25mbar |
| 056656 | n°35 | 2S | G25.1 25mbar |
| 058330 | n°25 | 3+3B/P | G30/31 30mbar |
| 058330 | n°25 | 3B/P | G30/31 36mbar |
| 058330 | n°25 | 3B/P | G30/31 50mbar |
| 056656 | n°35 | No CE | G20 10mbar |
| 056798 | n°70 | | G110 |
| 056798 | n°70 | | G120 |

| C - Ugello bruciatore / Burner nozzle | | | |
|---------------------------------------|--------------|--------|---------------|
| 6DGT Code | Ref. / Notes | | |
| 059382 | ø2.50 | 2H/2E+ | G20 20mbar |
| 0A5356 | ø2.35 | 2H | G20 25mbar |
| 0A2868 | ø2.75 | 2ELL | G25 20mbar |
| 0A2570 | ø2.60 | 2L | G25 25mbar |
| 0A2570 | ø2.60 | 2S | G25.1 25mbar |
| 0A2141 | ø1.65 | 3+3B/P | G30/31 30mbar |
| 0A2103 | ø1.55 | 3B/P | G30/31 36mbar |
| 0A2091 | ø1.45 | 3B/P | G30/31 50mbar |
| 059358 | ø2,85 | No CE | G20 10mbar |
| 0C0449 | ø5.40 | | G110 |
| 003951 | ø4.70 | | G120 |

