

Ersatzteillisten
Listes des pièces de rechange
Liste dei pezzi di ricambio
Spare parts lists

HERD PROGRAMM ELEKTR.
GAMME DES FOURNEAUX ELECTR.
PROGRAMME DI CUCINE ELECTR.
RANGE PROGRAM ELECTR.

Electr.
STARLINE LARGE

| DE | FR | IT | GB | |
|-----------------------------|----------------------------------|-----------------------------------|--------------------------------|-------------|
| Baugruppe | Unité | Unità | Unit | |
| Gestell | Cadre | Telaio | Frame | 72.3090.01 |
| Gestell Brücke | Cadre pont | Telaio ponte | Frame bridge | 72.3090.02 |
| Gestell Wand | Cadre mur | Telaio muro | Frame wall | 72.3090.03 |
| Bodenplatte | Plaque de fond | Placce del suolo | Base plate | 72.3090.04 |
| MS Platten 2, 4 | Plaques MS 2, 4 | Piastra MS 2, 4 | MS plates 2, 4 | 72.3090.12 |
| MS Platten 6 | Plaques MS 6 | Piastra MS 6 | MS plates 6 | 72.3090.13 |
| MS Schublade | Tiroir MS | Cassetto MS | MS drawer | 72.3090.14 |
| Schublade Marine ALEX/EMS | Tiroir Marine ALEX/EMS | Cassetto Marine ALEX/EMS | Drawer Marine ALEX/EMS | 72.3090.16 |
| Glaskeramik | Vitrocéramique | Ceramica di vetro | Glas ceramic | 72.3090.20 |
| Topferkennung | Reperage marmite | Riconoscimento pentola | Pot recognition | 72.3090.21 |
| Grill/Griddle/Bratplatten | Grill/griller/rôtir plaques | Fry tops | Grill/griddle/roast. plates | 72.3090.25 |
| Bain Marie | Bain-marie | Bagnomaria | Bain marie | 72.3090.30 |
| Mischbatterie | Mitigeur | Batteria erogazione acqua | Mixing unit | 72.3090.32 |
| Backofen elt | Four électrique | Forno electr. | Oven electr. | 72.3090.35 |
| Backofen Tür | Four port | Forno porte | Oven door | 72.3090.36 |
| Backofen Einbau | Four installation | Forno installazione | Oven installation | 72.3090.37 |
| Backofen Blende | Four bandeau | Forno copertura | Oven panel | 72.3090.39 |
| Abstellraum klein | Compartiment pet. | Spazio pic. | Compartment sml. | 72.3090.65 |
| Abstellraum gross | Compartiment grd. | Spacio grand. | Compartment larg. | 72.3090.70 |
| Wärmeschränk | Armoire chauff. | Armadio riscald. | Hot cabinet | 72.3090.75 |
| Wärmeschränk hygienisch | Armoire chauff. hygiénique | Armadio riscald. igienico | Hot cabinet hygienic | 72.3090.76 |
| Wärmeschränk | Armoire chauff. | Armadio riscald. | Hot cabinet | 72.3090.78 |
| Wärmeschränk hygienisch | Armoire chauff. hygiénique | Armadio riscald. igienico | Hot cabinet hygienic | 72.3090.79 |
| Wärmeschränk | Armoire chauff. | Armadio riscald. | Hot cabinet | 72.3090.80 |
| Wärmeschränk | Armoire chauff. | Armadio riscald. | Hot cabinet | 72.3090.85 |
| Wärmeschränk hygienisch | Armoire chauff. hygiénique | Armadio riscald. igienico | Hot cabinet hygienic | 72.3090.86 |
| Wärmeplatte/Oberteil | Plaque chauff./ p. supérieur. | Piastra riscald./ p. superio. | Hotplate/ upper part | 72.3090.88 |
| Wärmeplatte/Gestell | Plaque chauffante/ cadre | Piastra riscaldante/ telaio | Hotplate/ frame | 72.3090.89 |
| Wärmeschränk Blende | Armoire bandeau | Armadio copertura | Hot cabinet panel | 72.3090.90 |
| Schiene | Rail | Stecca | Rail | 72.3090.92 |
| Herdstange | Tablette | Corrimano | Rod | 72.3090.94 |
| Schlängerstange | Barre de fixation | Ripiano | Rolling rack | 72.3090.95 |
| Klapptablar | Console | Asta antirollio | Shelf | 72.3090.96 |
| Lampe Frontblende | Lampe Tôle frontale | Lampada Lamiera frontale | Lamp Front panel | 72.3090.97 |
| Steckdose | Prise | Presa di corrente | Socket | 72.3090.98 |
| Frontblende, Oberbau | Tôle frontale, supérieure | Lamiera frontale, superior | Front panel, upper part | 72.3090.99 |
| Frontblende Oberbau, Marine | Tôle frontale supérieure, Marine | Lamiera frontale superior, Marine | Front panel upper part, Marine | 72.3090.100 |
| Blende | Bandeau | Copertura | Filler | 72.3090.200 |
| Schild | Plaquette | Placchetta | Label | 72.3090.250 |
| Einzelkochplatte | Plaque individuelle | Piastra monopentola | Individual plate | 72.3090.260 |

spiegazione

explanation

STARLINE LARGE/ THERMALINE 900
 STARLINE COMPACT/ THERMALINE 800
 H = 800 mm
 H = 700 mm
 H = 400 mm

profondità dell'apparecchio 900
 profondità dell'apparecchio 800
 altezza netta dell'apparecchio
 altezza netta dell'apparecchio
 altezza netta dell'apparecchio

appliance depth 900 mm
 appliance depth 800 mm
 appliance hight net
 appliance hight net
 appliance hight net

H
 B
 T
 Abmessung

altezza
 larghezza
 profondità
 dimensione

height
 width
 depth
 dimension

148, 158, 248, 258

159, 249, 259, 359, 459

primi 3 numeri del tipo di apparecchio

first 3 numbers of appliance's type

Produkt Nr.
 ab.cdef.XX

numero di produzione

number for fabrication

Service Nr.

numero per servizio d'assistenza

number for aftersales

Marine

solo per apparecchi di marina

only for Marine ranges



comando da un lato
 comando da due lati

operated from one side
 operated from both sides

MS(E)82 158
 MS(E)84 248
 MS(E)92 159
 MS(E)94 259
 MS(E)94 + MS(E)52 359

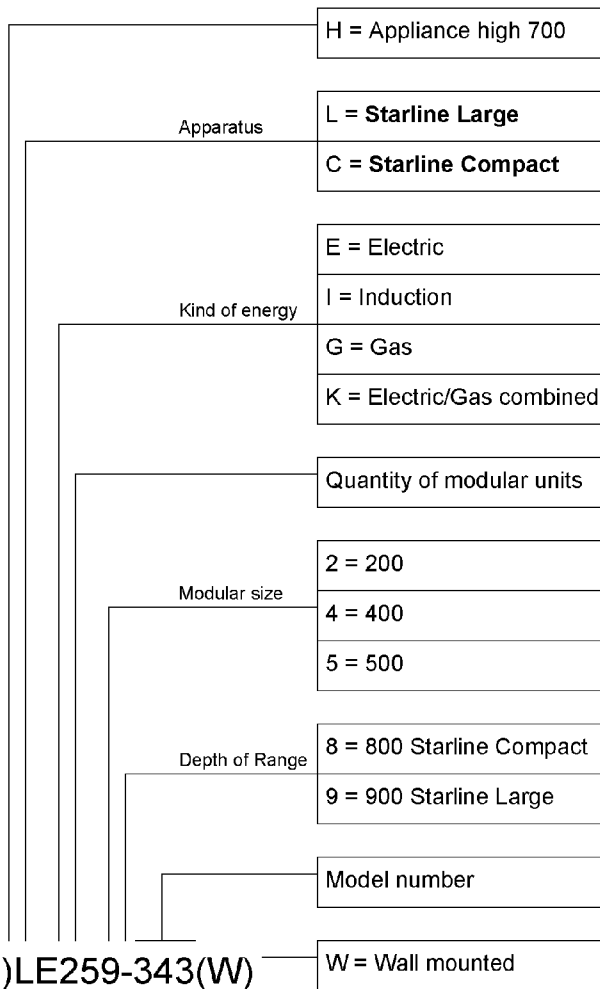
piastra tutta superficie

large cooking plate

Introduction = Introd.

data d'introduzione
 mese/anno

date of introduction
 month/year



Standard equipment of the substructures

| | |
|-------------------------|--|
| Roasting oven | : with 1 baking sheet and 1 bar grate GN2/1 each |
| Open compartement GN1/1 | : with 5 pairs of mounting brackets, without shelves |
| Open compartement GN2/1 | : with 5 pairs of mounting brackets, without shelves |
| Other open compartentes | : with shelf slide rails, without shelves |
| Hot cupboards GN1/1 | : with 5 pairs of mounting brackets, without shelves |
| Hot cupboards GN2/1 | : with 5 pairs of mounting brackets, without shelves |
| Other hot cupboards | : with 1 adjustable shelf |

Details for ordering Model numbers in this list describe units without plinth and without protection bar

- Model number for a cooking bank describe units from left to right like the following example: eg. LK259-727/LE159-317/etc.
- Plinth

| | |
|--|--|
| Allready existing concrete or brick base | |
| M20 for appliance high 900mm | |
| M10 for appliance high 900mm | |
| M5 for appliance high 850mm | |
- Feet

| | |
|--------------------------------|--|
| 200mm for appliance high 900mm | |
|--------------------------------|--|
- Protection bars

| | |
|--------------|-------|
| V10-10 front | 115mm |
| V20-in front | 200mm |
| H10-at rear | 115mm |
| H20-at rear | 200mm |
- Positioning

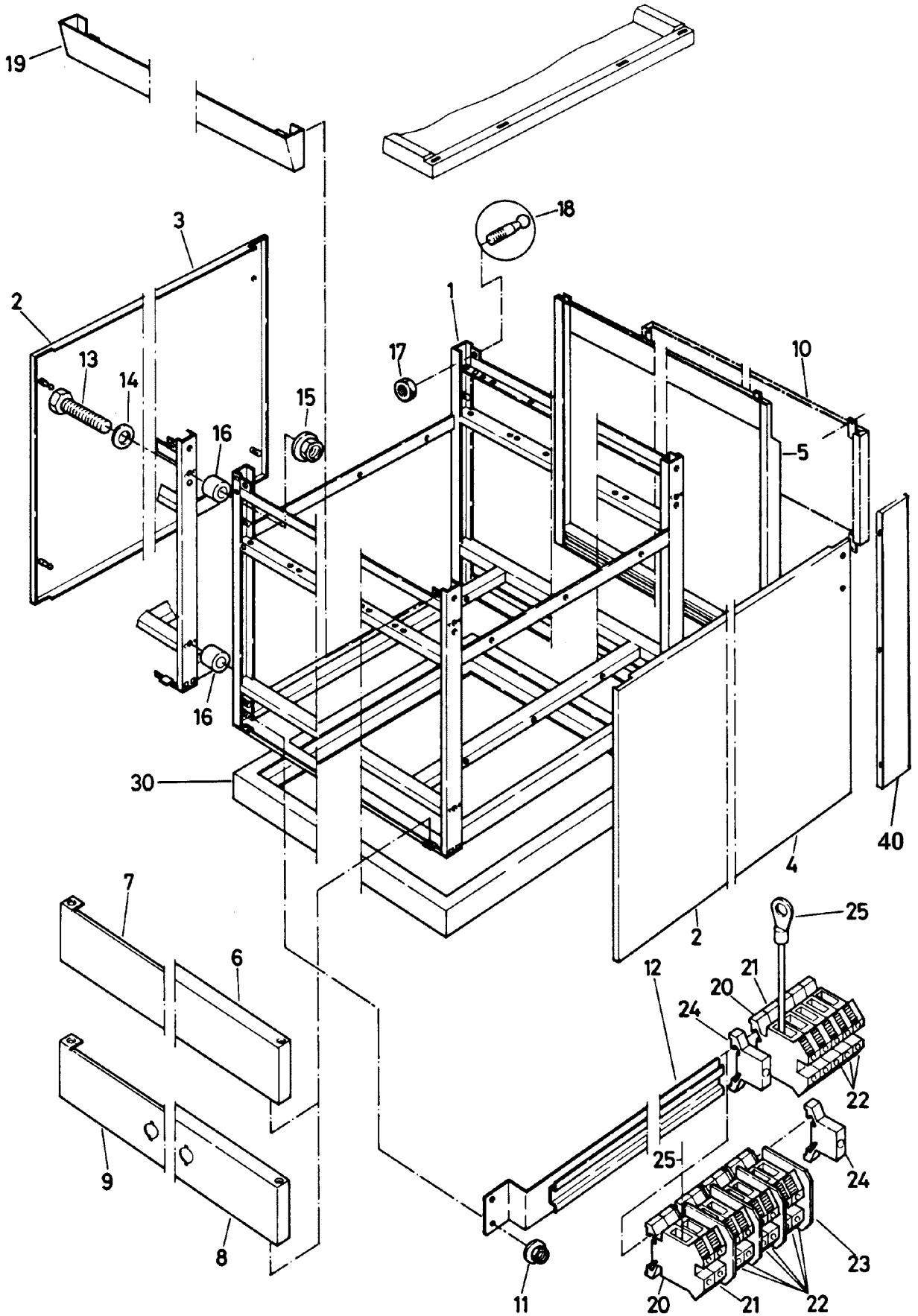
| | |
|---|--|
| Free standing, against a wall or back-to-back | |
|---|--|
- Wall connection

| | |
|------------------------------------|--|
| Behind, left, right, with skirting | |
| Look at page 24 | |
- Voltage

| | |
|----------------------------------|--|
| Standard voltage 400V/3N~ ; 50Hz | |
|----------------------------------|--|
- Gas

| | |
|-----------------------|--|
| Natural or liquid gas | |
|-----------------------|--|
- Accessories

(H)LE259-343(W)



| H=800 mm | | | unità telaio fissaggio del suolo | unit frame bottom fixation | Large 72.3090.01 1 10.4.1995 | | | |
|----------|-------------|-------------|--|--|------------------------------------|-----|-----|-----|
| Pos. | Produkt Nr. | Service Nr. | designazione | designation | 159 | 249 | 259 | 359 |
| 1 | 72.2030 | | telaio | frame | 1 | | | |
| | 72.3349 | | telaio | frame | | 1 | | |
| | 72.2038.01 | | telaio normale | frame standard | | | 1 | |
| | 72.2038.02 | | telaio con copertura continuata destra | frame with continuous cover right | | | 1 | |
| | 72.2038.03 | | telaio con copertura continuata sinistra | frame with continuous cover left | | | 1 | |
| | 72.2038.04 | | telaio con copertura continuata destra 2 zone di cottura a gas sinistra | frame with continuous cover right 2 gas cooking zones left | | | 1 | |
| | 72.2038.05 | | telaio con copertura continuata destra 2 zone di cottura a gas destra | frame with continuous cover right 2 gas cooking zones right | | | 1 | |
| | 72.2038.06 | | telaio per 2 zone di cottura a gas sinistra | frame for 2 gas cooking zones left | | | 1 | |
| | 72.2038.07 | | telaio per 2 zone di cottura a gas destra | frame for 2 gas cooking zones right | | | 1 | |
| | 72.2243.01 | | telaio normale | frame standard | | | | 1 |
| | 72.2243.02 | | telaio 2 zone di cottura a gas sinistra | frame 2 gas cooking zones left | | | | 1 |
| | 72.2243.02 | | telaio 2 zone di cottura a gas destra | frame 2 gas cooking zones right | | | | 1 |

| H=800 mm | | Baugruppe | unité | unità | unit | Large 72.3090.01 | | | | |
|----------|-------------|------------------|--|--|--|-----------------------------------|-----|-----|-----|-----|
| | | Gestell | cadre | telaio | frame | 2 | | | | |
| | | Bodenbefestigung | fixation de sol | fissaggio del suolo | bottom fixation | 10.4.1995 | | | | |
| Pos. | Produkt Nr. | Service Nr. | Bezeichnung | désignation | designazione | designation | 159 | 249 | 259 | 359 |
| 1 | 72.2766 | Induction | Gestell | cadre | telaio | frame | 1 | | | |
| | 72.2772.01 | Induction | Gestell normal | cadre normal | telaio normale | frame standard | | | 1 | |
| | 72.2772.02 | Induction | Gestell mit durchgehender Abdeckung rechts | cadre avec couvercle continu droit | telaio con copertura continuata destra | frame with continuous cover right | | | 1 | |
| | 72.2772.02 | Induction | Gestell mit durchgehender Abdeckung links | cadre avec couvercle continu gauche | telaio con copertura continuata sinistra | frame with continuous cover left | | | 1 | |
| 2 | 72.2426 | | Seitenwand | paroi latérale | parete laterale | side panel | 2 | 2 | 2 | 2 |
| 3 | 72.2432 | | Seitenwand links für Klapptablar | paroi latérale gauche pour console | parete laterale sinistra per ripiano | side panel left for shelf | 1 | 1 | 1 | 1 |
| 4 | 72.2433 | | Seitenwand rechts für Klapptablar | paroi latérale droite pour console | parete laterale destra per ripiano | side panel right for shelf | 1 | 1 | 1 | 1 |
| 5 | 72.3765 | | Rückwand | paroi arrière | parete posteriore | rear panel | 1 | | | |
| | 72.3766 | | Rückwand | paroi arrière | parete posteriore | rear panel | | 1 | | |
| | 72.3710 | | Rückwand | paroi arrière | parete posteriore | rear panel | | | 1 | |
| | 72.3767 | | Rückwand | paroi arrière | parete posteriore | rear panel | | | | 1 |
| 6 | 72.2068 | | Anschlussdeckel | couvercle de raccord | coperchio di raccordo | connection cover | 1 | | | |
| | 72.2394 | | Anschlussdeckel | couvercle de raccord | coperchio di raccordo | connection cover | | 1 | | |
| | 72.2069 | | Anschlussdeckel | couvercle de raccord | coperchio di raccordo | connection cover | | | 1 | |
| | 72.2328 | | Anschlussdeckel | couvercle de raccord | coperchio di raccordo | connection cover | | | | 1 |
| 7 | 72.2449 | | Anschlussdeckel Schiebetüre | couvercle de raccord porte coulissante | coperchio di raccordo porta glissante | connection cover sliding door | | | 1 | |
| | 72.3233 | | Anschlussdeckel Schiebetüre | couvercle de raccord porte coulissante | coperchio di raccordo porta glissante | connection cover sliding door | | | | 1 |

| H=800 mm | | | unità telaio fissaggio del suolo | unit frame bottom fixation | Large 72.3090.01 | | | |
|----------|-------------|-------------|--|----------------------------------|------------------|-----|-----|-----|
| Pos. | Produkt Nr. | Service Nr. | designazione | designation | 159 | 249 | 259 | 359 |
| 8 | 72.2398 | | coperchio di raccordo gas destra | connection cover gas right | 1 | | | |
| | 72.2384 | | coperchio di raccordo gas destra | connection cover gas right | | 1 | | |
| | 72.2372 | | coperchio di raccordo gas sinistra | connection cover gas left | | | 1 | |
| | 72.2371 | | coperchio di raccordo gas destra | connection cover gas right | | | 1 | |
| | 72.2370 | | coperchio di raccordo gas sinistra | connection cover gas left | | | | 1 |
| | 72.2369 | | coperchio di raccordo gas destra | connection cover gas right | | | | 1 |
| | 72.5389 | HS | coperchio di raccordo | connection cover | 1 | | | |
| | 72.3800 | HS | coperchio di raccordo | connection cover | | | 1 | |
| | 72.5350 | IN/BO | coperchio di raccordo | connection cover | | | 1 | |
| | 72.5338 | GFI | coperchio di raccordo | connection cover | | | 1 | |
| | 72.4740 | HS-L | coperchio di raccordo gas destra | connection cover gas right | 1 | | | |
| | 72.6335 | HS-L | coperchio di raccordo gas destra | connection cover gas right | | | 1 | |
| | 72.5840 | HS-R | coperchio di raccordo gas sinistra | connection cover gas left | | | 1 | |
| | 72.5393 | HS | coperchio di raccordo | connection cover | | | | 1 |
| | 72.6339 | HS-L | coperchio di raccordo gas destra | connection cover gas right | | | | 1 |
| | 72.6337 | HS-R | coperchio di raccordo gas sinistra | connection cover gas left | | | | 1 |
| | 72.3378 | BO+BO | coperchio di raccordo | connection cover | | | | 1 |
| | 72.3378 | BO+BO | coperchio di raccordo gas sinistra | connection cover gas left | | | | 1 |
| | 72.3380 | BO+BO | coperchio di raccordo gas destra | connection cover gas right | | | | 1 |

| H=800 mm | | | unità telaio fissaggio del suolo | unit frame bottom fixation | Large 72.3090.01 4 10.4.1995 | | | |
|----------|----------------|-------------|--|---|------------------------------------|-----|-----|-----|
| Pos. | Produkt Nr. | Service Nr. | designazione | designation | 159 | 249 | 259 | 359 |
| 9 | 72.2889 | | coperchio di raccordo gas sinistra | connection cover gas left | | | 1 | |
| | 72.2890 | | porta glissante coperchio di raccordo gas destra | sliding door connection cover gas right | | | 1 | |
| | 72.3237 | | porta glissante coperchio di raccordo gas sinistra | sliding door connection cover gas left | | | | 1 |
| | 72.3235 | | porta glissante coperchio di raccordo gas destra | sliding door connection cover gas right | | | | 1 |
| 10 | 72.2490 | | parete posteriore mezzo | rear panel middle | 1 | | | |
| | 72.2525 | | parete posteriore mezzo | rear panel middle | | 1 | | |
| | 72.2526 | | parete posteriore mezzo | rear panel middle | | | 1 | |
| | 72.2527 | | parete posteriore mezzo | rear panel middle | | | | 1 |
| 11 | 712 044 120.05 | 1101 8576 | dado | capture nut | 2 | 2 | 2 | 2 |
| 12 | 72.2176 | | portatore | girder | 1 | 1 | 1 | 1 |
| 13 | 1701 2597 | | vite | screw | 4 | 4 | 4 | 4 |
| 14 | 1701 3545 | | disco | disk | 4 | 4 | 4 | 4 |
| 15 | 712 044 120.06 | 1101 8577 | dado | capture nut | 4 | 4 | 4 | 4 |
| 16 | 72.2048 | 1900 6949 | guscio di distanza | spacer sleeve | 4 | 4 | 4 | 4 |
| 17 | 1701 3008 | 1900 6950 | dado | nut | 2 | 2 | 2 | 2 |
| 18 | 72.3171 | 1900 6951 | quadrello | bolt | 2 | 2 | 2 | 2 |
| 19 | 72.2467 | | copertura superiore | filler upper | 1 | | | |
| | 72.2468 | | copertura superiore | filler upper | | 1 | | |
| | 72.2469 | | copertura superiore | filler upper | | | 1 | |
| | 72.2470 | | copertura superiore | filler upper | | | | 1 |

| H=800 mm | | | unità telaio fissaggio del suolo | unit frame bottom fixation | Large 72.3090.01 5 10.4.1995 | | | |
|----------|-------------|-------------|--|----------------------------------|------------------------------------|-----|-----|-----|
| Pos. | Produkt Nr. | Service Nr. | designazione | designation | 159 | 249 | 259 | 359 |
| 20 | 75.2011.03 | 1800 0864 | morsa | clamp | 1 | 1 | 1 | 1 |
| 21 | 75.2010.41 | 1800 0863 | morsa | clamp | 1 | 1 | 1 | 1 |
| 22 | 75.2010.40 | 1800 0529 | morsa | clamp | 6 | 6 | 6 | 6 |
| 23 | 75.2010.43 | | separazione | partition wall | 4 | 4 | 4 | 4 |
| 24 | 75.2013 | | arresto | stopper | 1 | 1 | 1 | 1 |
| 25 | 705 840 171 | | cavetto | strand | 1 | 1 | 1 | 1 |
| 40 | 72.3768 | | copertura | filler | 1 | 1 | 1 | 1 |
| | | | cucina-parete | range-wall | | | | |
| | 705 030 227 | | copertura | filler | 1 | 1 | 1 | 1 |
| | | | tavolo-parete | table-wall | | | | |
| | 72.3955 | | copertura | filler | 1 | 1 | 1 | 1 |
| | | | cucina-cucina con stecca | range-range with rail | | | | |
| | 72.3954 | | copertura | filler | 1 | 1 | 1 | 1 |
| | | | cucina-cucina senza stecca | range-range without rail | | | | |
| | 72.4134 | | copertura | filler | 1 | 1 | 1 | 1 |
| | | | cucina-tavolo laterale | range-end-spreader | | | | |
| 45 | 75.6519 | | lamina per HS | foil for HS | 1 | 1 | 1 | 1 |
| | 72.6371 | | lamina per HS | foil for HS | Electrolux 1 | 1 | 1 | 1 |

| Pos. | Produkt Nr. | Service Nr. | Bezeichnung | designazione | designation | 159 | 249 | 259 | 359 |
|------|-------------|-------------|------------------|---------------------|-----------------|---------|-----|-----|------------------|
| | | | H=800mm | | | | | | |
| | | | Baugruppe | unità | unit | | | | Large 72.3090.01 |
| | | | Gestell | telaio | frame | | | | 6 |
| | | | Bodenbefestigung | fissaggio del suolo | bottom fixation | | | | 10.4.1995 |
| 30 | | | Sockel | zoccolo | plinth | | | | |
| | | | freistehend | isolato | free standing | H=100mm | | | |
| | 72.1062.01 | | B=400mm | | | T=760mm | | | |
| | 72.1062.02 | | B=500mm | | | | | | |
| | 72.1062.03 | | B=800mm | | | | | | |
| | 72.1062.04 | | B=1000mm | | | | | | |
| | 72.1062.05 | | B=1200mm | | | | | | |
| | 72.1062.06 | | B=1300mm | | | | | | |
| | 72.1062.07 | | B=1500mm | | | | | | |
| | 72.1062.08 | | B=1600mm | | | | | | |
| | 72.1062.09 | | B=1800mm | | | | | | |
| | 72.1062.10 | | B=2000mm | | | | | | |
| | | | Sockel | zoccolo | plinth | H=100mm | | | |
| | | | wandstehend | posizionato al muro | wall standing | T=830mm | | | |
| | 72.1042.01 | | B=400mm | | | | | | |
| | 72.1042.02 | | B=500mm | | | | | | |
| | 72.1042.03 | | B=800mm | | | | | | |
| | 72.1042.04 | | B=1000mm | | | | | | |
| | 72.1042.05 | | B=1200mm | | | | | | |
| | 72.1042.06 | | B=1300mm | | | | | | |
| | 72.1042.07 | | B=1500mm | | | | | | |
| | 72.1042.08 | | B=1600mm | | | | | | |
| | 72.1042.09 | | B=1800mm | | | | | | |
| | 72.1042.10 | | B=2000mm | | | | | | |

| H=700 mm | | | unità telaio fissaggio del suolo | unit frame bottom fixation | Large 72.3090.01a | | | |
|----------|-------------|-------------|--|---|-------------------|-----|-----|-----|
| Pos. | Produkt Nr. | Service Nr. | designazione | designation | 159 | 249 | 259 | 359 |
| 1 | 72.4691.01 | | telaio senza Supertherm | frame without Supertherm | 1 | | | |
| | 72.4691.02 | | telaio con Supertherm | frame with Supertherm | 1 | | | |
| | 72.4691.03 | | telaio marine senza Supertherm | frame marine without Supertherm | 1 | | | |
| | 72.4691.04 | | telaio marine con Supertherm | frame marine with Supertherm | 1 | | | |
| | 72.5122.01 | | telaio | frame | | 1 | | |
| | 72.5122.02 | | telaio marine | frame marine | | 1 | | |
| | 72.4579.01 | | telaio senza Supertherm | frame without Supertherm | | | | 1 |
| | 72.4579.02 | | telaio con Supertherm | frame with Supertherm | | | | 1 |
| | 72.4579.03 | | telaio marine senza Supertherm | frame marine without Supertherm | | | | 1 |
| | 72.4579.04 | | telaio marine con Supertherm | frame marine with Supertherm | | | | 1 |
| | 72.4579.05 | | telaio con 2 zone di cottura a gas sinistra | frame with 2 gas cooking zones left | | | | 1 |
| | 72.4579.06 | | telaio con 2 zone di cottura a gas destra | frame with 2 gas cooking zones right | | | | 1 |
| | 72.4579.07 | | telaio con 2 zone di cottura a gas sinistra + MS | frame with 2 gas cooking zones left + MS | | | | 1 |
| | 72.4579.08 | | telaio con 2 zone di cottura a gas destra + MS | frame with 2 gas cooking zones right + MS | | | | 1 |

Large 72.3090.01a

H=700 mm

unità

unit

telaio

frame

fissaggio del suolo

bottom fixation

8

12/97

| Pos. | Produkt Nr. | Service Nr. | designazione | designation | 159 | 249 | 259 | 359 |
|------|-------------|------------------|--------------------------------|-------------------------|-----|-----|-----|-----|
| 1 | 72.4736.01 | Induction | telaio | frame | 1 | | | |
| | 72.4736.02 | Induction | telaio marine | frame marine | 1 | | | |
| | 72.4925.01 | Induction | telaio | frame | | | 1 | |
| | 72.4925.02 | Induction | telaio marine | frame marine | | | 1 | |
| | 72.5231.01 | Induction | telaio | frame | | | 1 | |
| | | | induzione tutta piastra | full-surface induction | | | | |
| | 72.5231.0 | Marine Induction | telaio | frame | | | 1 | |
| | | | induzione tutta piastra | full-surface induction | | | | |
| 2 | 72.4557 | | parete laterale | side panel | 2 | 2 | 2 | 2 |
| 3, 4 | 72.5105 | | parete laterale per ripiano | side panel for shelf | 2 | 2 | 2 | 2 |
| 5 | 72.4560 | | parete posteriore | rear panel | 1 | | | |
| | 72.5100 | | parete posteriore | rear panel | | 1 | | |
| | 72.4581 | | parete posteriore | rear panel | | | 1 | |
| | 72.5102 | | parete posteriore | rear panel | | | | 1 |
| | 72.5149 | Marine | parete posteriore | rear panel | 1 | | | |
| | 72.5150 | Marine | parete posteriore | rear panel | | 1 | | |
| | 72.5151 | Marine | parete posteriore | rear panel | | | 1 | |
| | 72.5152 | Marine | parete posteriore | rear panel | | | | 1 |
| 6 | 72.4561 | | coperchio di raccordo | connection cover | 1 | | | |
| | 72.4993 | | coperchio di raccordo | connection cover | | 1 | | |
| | 72.4582 | | coperchio di raccordo | connection cover | | | 1 | |
| | 72.5230 | Induction | coperchio di raccordo | connection cover | | | 1 | |
| | 72.5236 | Induction GFI | coperchio di raccordo | connection cover | | | 1 | |
| | 72.4994 | | coperchio di raccordo | connection cover | | | | 1 |
| | 72.4801 | Marine | coperchio di raccordo | connection cover | 1 | | | |
| | 72.5145 | Marine | coperchio di raccordo | connection cover | | 1 | | |
| | 72.4802 | Marine | coperchio di raccordo | connection cover | | | 1 | |
| | 72.5146 | Marine | coperchio di raccordo | connection cover | | | | 1 |
| 6a | 72.4737 | Induction | parete anteriore | front wall | 1 | | | |
| | 72.4996 | Induction | parete anteriore | front wall | | 1 | | |

| H=700 mm | | unità telaio fissaggio del suolo | unit frame bottom fixation | Large 72.3090.01a 9 12/97 | | | | |
|-----------------|-------------|--|--|---------------------------------------|------------|-----|-----|-----|
| Pos. | Produkt Nr. | Service Nr. | designazione | designation | 159 | 249 | 259 | 359 |
| 40 | 72.4474 | | copertura cucina-parete | filler range-wall | 1 | 1 | 1 | 1 |
| | 72.4893 | | copertura tavolo-parete | filler table-wall | 1 | 1 | 1 | 1 |
| | 72.5158 | | copertura cucina-cucina con stecca | filler range-range with rail | 1 | 1 | 1 | 1 |
| | 72.5159 | | copertura cucina-cucina senza stecca | filler range-range without rail | 1 | 1 | 1 | 1 |
| | 72.5160 | | copertura cucina-tavolo laterale | filler range-end-spreader | 1 | 1 | 1 | 1 |
| 45 | 75.6519 | | lamina per HS | foil for HS | 1 | 1 | 1 | 1 |
| | 72.6371 | | lamina per HS | foil for HS | Electrolux | 1 | 1 | 1 |
| 30 | | | zoccolo isolato | plinth free standing | | | | |
| | 72.5251.02 | | B=200mm | | | | | |
| | 72.5251.03 | | B=300mm | | | | | |
| | 72.5251.04 | | B=400mm | | | | | |
| | 72.5251.05 | | B=500mm | | | | | |
| | 72.5251.06 | | B=600mm | | | | | |
| | 72.5251.07 | | B=700mm | | | | | |
| | 72.5251.08 | | B=800mm | | | | | |
| | 72.5251.09 | | B=900mm | | | | | |
| | 72.5251.10 | | B=1000mm | | | | | |
| | 72.5251.11 | | B=1100mm | | | | | |
| | 72.5251.12 | | B=1200mm | | | | | |
| | 72.5251.13 | | B=1300mm | | | | | |
| | 72.5251.14 | | B=1400mm | | | | | |
| | 72.5251.15 | | B=1500mm | | | | | |
| | 72.5251.16 | | B=1600mm | | | | | |
| | 72.5251.17 | | B=1700mm | | | | | |
| | 72.5251.18 | | B=1800mm | | | | | |
| | 72.5251.19 | | B=1900mm | | | | | |
| | 72.5251.20 | | B=2000mm | | | | | |

H=700mm

unità
telaio
fissaggio del suolo

unit
frame
bottom fixation

Large 72.3090.01a
10
10.4.1995

| Pos. | Produkt Nr. | Service Nr. | designazione | designation | 159 | 249 | 259 | 359 |
|------|-------------|-------------|--------------------------------|-------------------------|-----|-----|-----|-----|
| 30 | | | zoccolo posizionato al muro | plinth wall standing | | | | |
| | 72.5252.02 | | B=200mm | H=200mm | | | | |
| | 72.5252.03 | | B=300mm | T=830mm | | | | |
| | 72.5252.04 | | B=400mm | | | | | |
| | 72.5252.05 | | B=500mm | | | | | |
| | 72.5252.06 | | B=600mm | | | | | |
| | 72.5252.07 | | B=700mm | | | | | |
| | 72.5252.08 | | B=800mm | | | | | |
| | 72.5252.09 | | B=900mm | | | | | |
| | 72.5252.10 | | B=1000mm | | | | | |
| | 72.5252.11 | | B=1100mm | | | | | |
| | 72.5252.12 | | B=1200mm | | | | | |
| | 72.5252.13 | | B=1300mm | | | | | |
| | 72.5252.14 | | B=1400mm | | | | | |
| | 72.5252.15 | | B=1500mm | | | | | |
| | 72.5252.16 | | B=1600mm | | | | | |
| | 72.5252.17 | | B=1700mm | | | | | |
| | 72.5252.18 | | B=1800mm | | | | | |
| | 72.5252.19 | | B=1900mm | | | | | |
| | 72.5252.20 | | B=2000mm | | | | | |

| | spiegazione | explanation |
|-----|---------------------------|------------------------|
| GS | rubinetto del gas | gas cock |
| HS | interruttore generale el. | el. main interruptor |
| BO | forno | baking oven |
| IN | cucina ad induzione | induction range |
| GFI | induzione tutta piastra | full-surface induction |
| R | destra | right |
| L | sinistra | left |



Large 72.3090.02

1

10.4.1995

H=400 mm

unità
telaio p. ponte

unit
frame f. bridge

| Pos. | Produkt Nr. | Service Nr. | designazione | designation | | |
|------|-------------|-------------|---|---|-----|---|
| 1 | 72.3504 | | telaio | frame | 129 | 1 |
| | 72.2905.01 | | telaio senza Supertherm | frame without Supertherm | 159 | 1 |
| | 72.2905.02 | | telaio con Supertherm | frame with Supertherm | 159 | 1 |
| | 72.2905.03 | Marine | telaio senza Supertherm | frame without Supertherm | 159 | 1 |
| | 72.2905.04 | Marine | telaio con Supertherm | frame with Supertherm | 159 | 1 |
| | 72.3695.01 | | telaio senza Supertherm | frame without Supertherm | 249 | 1 |
| | 72.3695.02 | | telaio con Supertherm | frame with Supertherm | 249 | 1 |
| | 72.2906.01 | | telaio senza Supertherm | frame without Supertherm | 259 | 1 |
| | 72.2906.02 | | telaio con Supertherm | frame with Supertherm | 259 | 1 |
| | 72.2906.03 | | telaio senza Supertherm 2 zone di cottura a gas sinistra | frame without Supertherm 2 cooking zones left | 259 | 1 |
| | 72.2906.04 | | telaio senza Supertherm 2 zone di cottura a gas destra | frame without Supertherm 2 cooking zones right | | |
| | 72.2906.05 | | telaio con Supertherm 2 zone di cottura a gas sinistra | frame with Supertherm 2 cooking zones left | 259 | 1 |
| | 72.2906.06 | | telaio con Supertherm 2 zone di cottura a gas destra | frame with Supertherm 2 cooking zones right | 259 | 1 |
| | 72.2906.07 | | telaio con copertura continuata destra | frame with continuous cover right | 259 | 1 |

| H=400 mm | | unità telaio p. ponte | unit frame f. bridge | Large 72.3090.02 2 10.4.1995 | | |
|-----------------|-------------|--------------------------|--|--|-----|---|
| Pos. | Produkt Nr. | Service Nr. | designazione | designation | | |
| | 72.2906.08 | | telaio con copertura continuata sinistra | frame with continuous cover left | 259 | 1 |
| | 72.2906.09 | | telaio con copertura continuata destra, 2 zone di cottura gas sinistra | frame with continuous cover right, 2 cooking zones left | 259 | 1 |
| | 72.2906.10 | | telaio con copertura continuata sinistra, 2 zone di cottura gas destra | frame with continuous cover left, 2 cooking zones right | 259 | 1 |
| | 72.2906.11 | | telaio con copertura continuata destra, 2 zone di cottura gas sinistra, con Supertherm | frame with continuous cover right, 2 cooking zones left, with Supertherm | 259 | 1 |
| | 72.2906.12 | | telaio con copertura continuata sinistra, 2 zone di cottura gas destra, con Supertherm | frame with continuous cover left, 2 cooking zones right, with Supertherm | 259 | 1 |
| | 72.2336.01 | | telaio senza Supertherm | frame without Supertherm | 359 | 1 |
| | 72.2336.02 | | telaio con Supertherm | frame with Supertherm | 359 | 1 |
| | 72.2336.03 | | telaio senza Supertherm con 2 zone di cottura a gas sinistra | frame without Supertherm with 2 gas cooking zones left | 359 | 1 |
| | 72.2336.04 | | telaio senza Supertherm con 2 zone di cottura a gas destra | frame without Supertherm with 2 gas cooking zones right | 359 | 1 |

| H=400 mm | | unità telaio p. ponte | unit frame f. bridge | Large 72.3090.02 3 10.4.1995 | | | | | | |
|----------|----------------|--------------------------|--|--|--------|----|---|---|---|---|
| Pos. | Produkt Nr. | Service Nr. | designazione | designation | | | | | | |
| | 72.2336.05 | | telaio Supertherm destra 2 zone di cottura a gas sinistra | frame Supertherm right 2 gas cooking zones left | 359 | 1 | | | | |
| | 72.2336.06 | | telaio Supertherm sinistra 2 zone di cottura a gas destra | frame Supertherm left 2 gas cooking zones right | 359 | 1 | | | | |
| | 72.3043.01 | Induction | telaio | frame | 159 | 1 | | | | |
| | 72.3043.02 | Induc. Marine | telaio | frame | 159 | 1 | | | | |
| | 72.3029.01 | Induction | telaio normale | frame standard | 259 | 1 | | | | |
| | 72.3029.02 | Induction | telaio marina | frame marine | 259 | 1 | | | | |
| 2 | 72.2343 | | pezzo di congiungim. | junction part | | 2 | | | | |
| 3 | 1101 8146 | | vite | screw | M10x40 | 4 | | | | |
| 4 | 701 3513 | | disco | disk | M10 | 4 | | | | |
| 5 | 1701 5008 | | anello di molla | spring ring | M10 | 4 | | | | |
| 6 | 1701 3027 | | dado | nut | M10 | 4 | | | | |
| 7 | 72.2344 | | sostegno | stud | | 2 | | | | |
| 8 | 1101 8040 | | vite | screw | M6x20 | 8 | | | | |
| 9 | 1701 3545 | | disco | disk | M6 | 8 | | | | |
| 10 | 1701 5007 | | anello di molla | spring ring | M6 | 4 | | | | |
| 11 | 1701 3016 | | dado | nut | M6 | 4 | | | | |
| 12 | 72.3078 | | pezzo di congiungim. | junction part | | 1 | | | | |
| 13 | 1701 7541 | 1900 6953 | vite | screw | | 2 | | | | |
| 14 | 72.3508.XX | | fondo | base | 129 | |  |  |  |  |
| | 72.3037.XX | | fondo | base | 159 | 01 | 01 | 02 | 03 | |
| | 72.3696.XX | | fondo | base | 249 | 01 | 02 | 02 | 03 | |
| | 72.3039.XX | | fondo | base | 259 | 01 | 02 | 02 | 03 | |
| | 72.3059.XX | | fondo | base | 359 | 01 | 02 | 02 | 03 | |
| 15 | 72.3065 | | portatore | girder | | 1 | | | | |
| 16 | 72.2781 | | portatore | girder | | 1 | | | | |
| 17 | 72.2176 | | portatore | girder | | 1 | | | | |
| 18 | 712 044 120.05 | | dado | capture nut | M5 | 2 | | | | |

| H=400 mm | | Baugruppe | unité | unità | unit | Large 72.3090.02 | |
|-----------------|-------------|-------------------|---------------|-----------------------|--------------------|------------------|---|
| | | Gestell f. Brücke | cadre p. pont | telaio p. ponte | frame f. bridge | 4/6 | |
| Pos. | Produkt Nr. | Service Nr. | Bezeichnung | désignation | designazione | designation | |
| | | | Supertherm | Supertherm | Supertherm | Supertherm | |
| 20 | 75.2011.03 | 1800 0864 | Klemme | borne | morsa | clamp | 1 |
| 21 | 75.2010.41 | 1800 0863 | Klemme | borne | morsa | clamp | 1 |
| 22 | 75.2010.40 | 1800 0529 | Klemme | borne | morsa | clamp | 6 |
| 23 | 75.2010.43 | | Abschlusswand | paroi de recouvrement | parete di chiusura | end panel | 4 |
| 24 | 75.2013 | | Arretierstück | piece d'arrête | parte d'arresto | stopper part | 1 |
| 25 | 705 840171 | | Litze | fil souple | cavetto | strand | 1 |

H=400 mm

unità
telaio p. ponte



unit
frame f. bridge

Large 72.3090.02

5

10.4.1995



| Pos. | Produkt Nr. | Service Nr. | designazione | designation | |  |  |
|------|-------------|-------------|-----------------------|----------------------|-------|---|---|
| 30 | 72.3746 | | coperchio di raccordo | connection cover | 200 | 1 | 2 |
| | 72.2646 | | coperchio di raccordo | connection cover | 500 | 1 | 2 |
| | 72.3613 | | coperchio di raccordo | connection cover | 800 | 1 | 2 |
| | 72.2975 | | coperchio di raccordo | connection cover | 1000 | 1 | 2 |
| | 72.2531 | | coperchio di raccordo | connection cover | 1500 | 1 | 2 |
| 31 | 72.3061 | | bolzone con filetto | threaded bolt | M5x14 | 2 | 4 |
| 32 | 72.3147 | | copertura superiore | filler upper | 200 | 1 | 2 |
| | | | senza mensola | bearing bracket | | | |
| | 72.2467 | | copertura superiore | filler upper without | 500 | 1 | 2 |
| | | | senza mensola | bearing bracket | | | |
| | 72.2468 | | copertura superiore | filler upper without | 800 | 1 | 2 |
| | | | senza mensola | bearing bracket | | | |
| | 72.2469 | | copertura superiore | filler upper without | 1000 | 1 | 2 |
| | | | senza mensola | bearing bracket | | | |
| | 72.2470 | | copertura superiore | filler upper without | 1500 | 1 | 2 |
| | | | senza mensola | bearing bracket | | | |
| | 72.3149 | | copertura superiore | filler upper | 200 | 1 | 2 |
| | | | con mensola | with bearing bracket | | | |
| | 72.2482 | | copertura superiore | filler upper | 500 | 1 | 2 |
| | | | con mensola | with bearing bracket | | | |
| | 72.2483 | | copertura superiore | filler upper | 800 | 1 | 2 |
| | | | con mensola | with bearing | | | |
| | 72.2484 | | copertura superiore | filler upper | 1000 | 1 | 2 |
| | | | con mensola | with bearing | | | |
| | 72.2485 | | copertura superiore | filler upper | 1500 | 1 | 2 |
| | | | con mensola | with bearing | | | |
| | 72.3151 | | copertura superiore | filler upper | 200 | 1 | 2 |
| | | | mensola destra | bearing right | | | |
| | 72.2477 | | copertura superiore | filler upper | 500 | 1 | 2 |
| | | | mensola destra | bearing right | | | |
| | 72.2478 | | copertura superiore | filler upper | 800 | 1 | 2 |
| | | | mensola destra | bearing right | | | |
| | 72.2479 | | copertura superiore | filler upper | 1000 | 1 | 2 |
| | | | mensola destra | bearing right | | | |

H=400 mm

unità
telaio p. ponte



unit
frame f. bridge

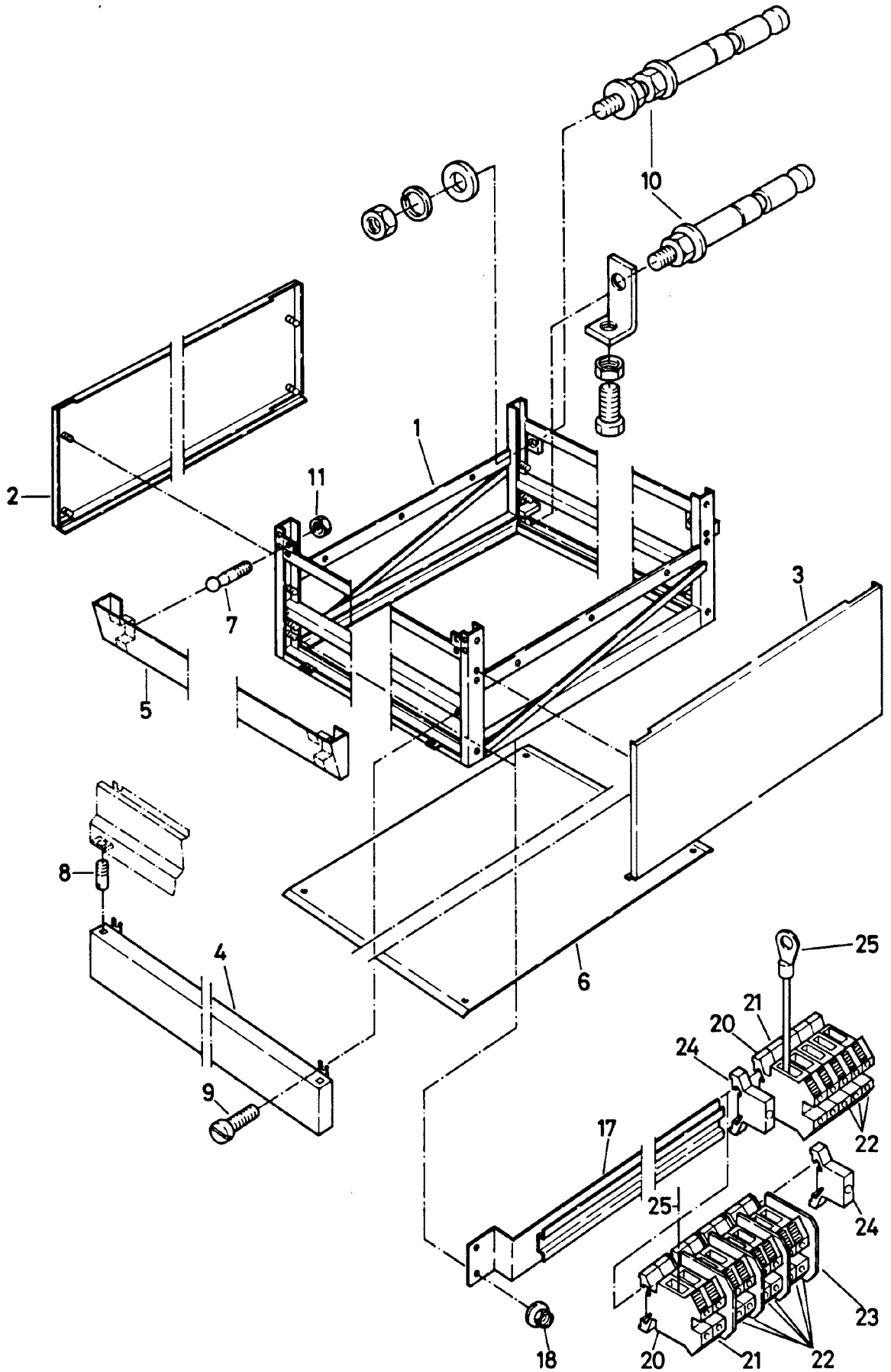
Large 72.3090.02

6

10.4.1995



| Pos. | Produkt Nr. | Service Nr. | designazione | designation | |  |  |
|------|-------------|-------------|---|-------------------------------|------|---|---|
| 32 | 72.2480 | | copertura superiore mensola destra | filler upper bearing right | 1500 | 1 | 2 |
| | 72.3153 | | copertura superiore mensola sinistra | filler upper bearing left | 200 | 1 | 2 |
| | 72.2472 | | copertura superiore mensola sinistra | filler upper bearing left | 500 | 1 | 2 |
| | 72.2473 | | copertura superiore mensola sinistra | filler upper bearing left | 800 | 1 | 2 |
| | 72.2474 | | copertura superiore mensola sinistra | filler upper bearing left | 1000 | 1 | 2 |
| | 72.2475 | | copertura superiore mensola sinistra | filler upper bearing left | 1500 | 1 | 2 |
| 33 | 72.3171 | 1900 6951 | quadrello | bolt | | 2 | 4 |
| 34 | 1701 3008 | 1900 6950 | dado | nut | | 2 | 4 |
| 35 | 1701 2019 | | vite | screw | M4x8 | 2 | 4 |



Large 72.3090.03

1

10.4.1995

H=400 mm

unità
telaio
montaggio a muro

unit
frame
wall mounted

| Pos. | Produkt Nr. | Service Nr. | designazione | designation | | |
|------|-------------|-------------|----------------------|--------------------|-----|---|
| 1 | 72.3505 | | telaio | frame | 129 | 1 |
| | 72.2637.01 | | telaio | frame | 159 | 1 |
| | 72.2637.02 | | senza Supertherm | without Supertherm | | |
| | | | telaio | frame | 159 | 1 |
| | 72.3692.01 | | con Supertherm | with Supertherm | | |
| | | | telaio | frame | 249 | 1 |
| | 72.3692.02 | | senza Supertherm | without Supertherm | | |
| | | | telaio | frame | 249 | 1 |
| | 72.2638.01 | | con Supertherm | with Supertherm | | |
| | | | telaio | frame | 259 | 1 |
| | 72.2638.02 | | senza Supertherm | without Supertherm | | |
| | | | telaio | frame | 259 | 1 |
| | 72.2638.03 | | con Supertherm | with Supertherm | | |
| | | | telaio | frame | 259 | 1 |
| | | | senza Supertherm | without Supertherm | | |
| | | | 2 zone di cottura a | 2 cooking zones | | |
| | | | gas sinistra | left | | |
| | 72.2638.04 | | telaio | frame | 259 | 1 |
| | | | senza Supertherm | without Supertherm | | |
| | | | 2 zone di cottura a | 2 cooking zones | | |
| | | | gas destra | right | | |
| | 72.2638.05 | | telaio | frame | 259 | 1 |
| | | | con Supertherm | with Supertherm | | |
| | | | 2 zone di cottura a | 2 cooking zones | | |
| | | | gas sinistra | left | | |
| | 72.2638.06 | | telaio | frame | 259 | 1 |
| | | | con Supertherm | with Supertherm | | |
| | | | 2 zone di cottura a | 2 cooking zones | | |
| | | | gas destra | right | | |
| | 72.2638.07 | | telaio | frame | 259 | 1 |
| | | | copertura continuata | continuous cover | | |
| | | | destra | right | | |
| | 72.2638.08 | | telaio | frame | 259 | 1 |
| | | | copertura continuata | continuous cover | | |
| | | | sinistra | left | | |

| H=400 mm | | | unità telaio montaggio a muro | unit frame wall mounted | Large 72.3090.03 2 10.4.1995 | |
|-----------------|-------------|-------------|--|--|------------------------------------|---|
| Pos. | Produkt Nr. | Service Nr. | designazione | designation | | |
| | 72.2638.09 | | telaio copertura continuata destra 2 zone di cottura a gas sinistra | frame continuous cover right 2 gas cooking zones left | 259 | 1 |
| | 72.2638.10 | | telaio copertura continuata sinistra 2 zone di cottura a gas destra | frame continuous cover left 2 gas cooking zones right | 259 | 1 |
| | 72.2638.11 | | telaio copertura continuata destra 2 zone di cottura a gas sinistra con Supertherm | frame continuous cover right 2 gas cooking zones left with Supertherm | 259 | 1 |
| | 72.2638.12 | | telaio copertura continuata sinistra 2 zone di cottura a gas destra con Supertherm | frame continuous cover left 2 gas cooking zones right with Supertherm | 259 | 1 |
| | 72.2353.01 | | telaio senza Supertherm | frame without Supertherm | 359 | 1 |
| | 72.2353.02 | | telaio con Supertherm | frame with Supertherm | 359 | 1 |
| | 72.2353.03 | | telaio senza Supertherm | frame without Supertherm | 359 | 1 |
| | 72.2353.04 | | 2 zone di cottura a gas sinistra telaio senza Supertherm 2 zone di cottura a gas destra | 2 gas cooking zones left frame without Supertherm 2 gas cooking zones right | 359 | 1 |

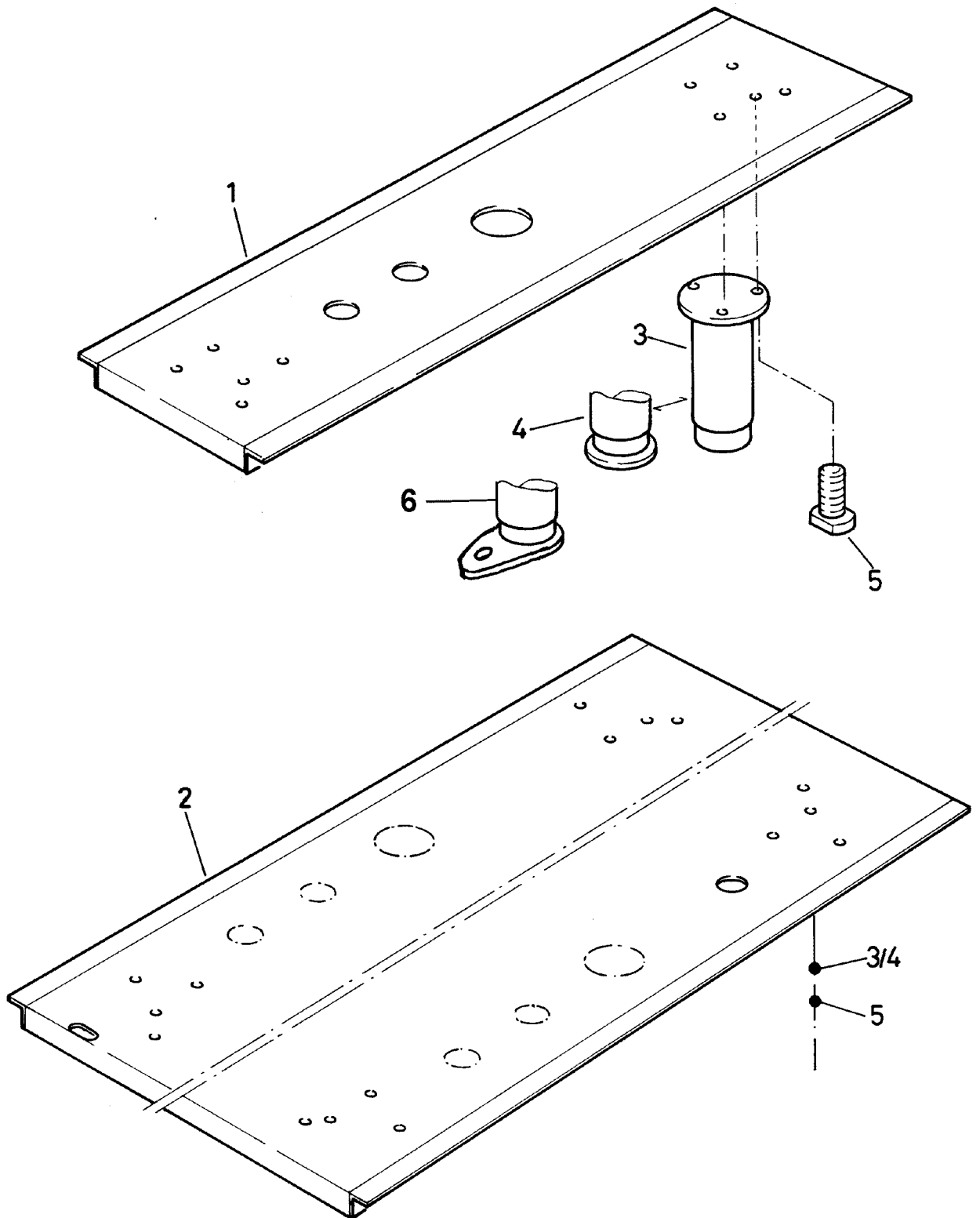
| H=400 mm | | | unità telaio montaggio a muro | unit frame wall mounted | Large 72.3090.03 3 10.4.1995 | |
|-----------------|-------------|-------------|---|--|------------------------------------|---|
| Pos. | Produkt Nr. | Service Nr. | designazione | designation | | |
| | 72.2353.05 | | telaio con Supertherm destra 2 zone di cottura a gas sinistra | frame with Supertherm right 2 gas cooking zones left | 359 | 1 |
| | 72.2353.06 | | telaio con Supertherm sinistra 2 zone di cottura a gas destra | frame with Supertherm left 2 gas cooking zones right | 359 | 1 |
| | 72.3031.01 | Induction | telaio normale | frame standard | 159 | 1 |
| | 72.3031.02 | Induction | telaio marina | frame marine | 159 | 1 |
| | 72.3033.01 | Induction | telaio normale | frame standard | 259 | 1 |
| | 72.3033.02 | Induction | telaio marina | frame marine | 259 | 1 |
| 2 | 72.2724 | | parete laterale sinistra | side panel left | | 1 |
| 3 | 72.2725 | | parete laterale destra | side panel right | | 1 |
| 4 | 72.3746 | | coperchio di raccordo | connection cover | 200 | 1 |
| | 72.2646 | | coperchio di raccordo | connection cover | 500 | 1 |
| | 72.3613 | | coperchio di raccordo | connection cover | 800 | 1 |
| | 72.2975 | | coperchio di raccordo | connection cover | 1000 | 1 |
| | 72.2531 | | coperchio di raccordo | connection cover | 1500 | 1 |
| 5 | 72.3147 | | copertura superiore senza mensola | filler upper without bearing bracket | 200 | 1 |
| | 72.2467 | | copertura superiore senza mensola | filler upper without bearing bracket | 500 | 1 |
| | 72.2468 | | copertura superiore senza mensola | filler upper without bearing bracket | 800 | 1 |
| | 72.2469 | | copertura superiore senza mensola | filler upper without bearing bracket | 1000 | 1 |
| | 72.2470 | | copertura superiore senza mensola | filler upper without bearing bracket | 1500 | 1 |
| | 72.3149 | | copertura superiore con mensola | filler upper with bearing bracket | 200 | 1 |

| H=400 mm | | | unità telaio montaggio a muro | unit frame wall mounted | Large 72.3090.03 4 10.4.1995 | |
|-----------------|-------------|-------------|---|--------------------------------------|------------------------------------|---|
| Pos. | Produkt Nr. | Service Nr. | designazione | designation | | |
| 5 | 72.2482 | | copertura superiore con mensola | filler upper with bearing bracket | 500 | 1 |
| | 72.2483 | | copertura superiore con mensola | filler upper with bearing | 800 | 1 |
| | 72.2484 | | copertura superiore con mensola | filler upper with bearing | 1000 | 1 |
| | 72.2485 | | copertura superiore con mensola | filler upper with bearing | 1500 | 1 |
| | 72.3151 | | copertura superiore mensola destra | filler upper bearing right | 200 | 1 |
| | 72.2477 | | copertura superiore mensola destra | filler upper bearing right | 500 | 1 |
| | 72.2478 | | copertura superiore mensola destra | filler upper bearing right | 800 | 1 |
| | 72.2479 | | copertura superiore mensola destra | filler upper bearing right | 1000 | 1 |
| | 72.2480 | | copertura superiore mensola destra | filler upper bearing right | 1500 | 1 |
| | 72.3153 | | copertura superiore mensola sinistra | filler upper bearing left | 200 | 1 |
| | 72.2472 | | copertura superiore mensola sinistra | filler upper bearing left | 500 | 1 |
| | 72.2473 | | copertura superiore mensola sinistra | filler upper bearing left | 800 | 1 |
| | 72.2474 | | copertura superiore mensola sinistra | filler upper bearing left | 1000 | 1 |
| | 72.2475 | | copertura superiore mensola sinistra | filler upper bearing left | 1500 | 1 |

| H=400 mm | | unità telaio montaggio a muro | unit frame wall mounted | Large 72.3090.03 5 10.4.1995 | | |
|----------|----------------|-------------------------------------|-------------------------------|------------------------------------|-------|---|
| Pos. | Produkt Nr. | Service Nr. | designazione | designation | | |
| 6 | 72.3509 | | fondo | base | 129 | 1 |
| | 72.2656 | | fondo | base | 159 | 1 |
| | 72.3694 | | fondo | base | 249 | 1 |
| | 72.2982 | | fondo | base | 259 | 1 |
| | 72.3186 | | fondo | base | 359 | 1 |
| | 72.4265 | Induction | fondo | base | 159 | 1 |
| | 72.4293 | Induction | fondo | base | 259 | 1 |
| 7 | 72.3171 | 1900 6951 | quadrello | bolt | | 2 |
| 8 | 72.3061 | 1900 6952 | bolzone con filetto | threaded bolt | M5x14 | 2 |
| 9 | 1701 2019 | | vite | screw | M4x8 | 2 |
| 10 | 71.5002 | | materiale di fissaggio | fixation material | | 1 |
| 16 | 72.2781 | | portatore | girder | | 1 |
| 17 | 72.2176 | | portatore | girder | | 1 |
| 18 | 712 044 120.05 | | dado Supertherm | capture nut Supertherm | M5 | 2 |
| 20 | 75.2011.03 | 1800 0864 | morsa | clamp | | 1 |
| 21 | 75.2010.41 | 1800 0863 | morsa | clamp | | 1 |
| 22 | 75.2010.40 | 1800 0529 | morsa | clamp | | 6 |
| 23 | 75.2010.43 | | parete di chiusura | end panel | | 4 |
| 24 | 75.2013 | | parte d'arresto | stopper part | | 1 |
| 25 | 705 840 171 | | cavetto | strand | | 1 |
| 20 | 75.2011.03 | 1800 0864 | morsa | clamp | | 1 |
| 21 | 75.2010.41 | 1800 0863 | morsa | clamp | | 1 |
| 22 | 75.2010.40 | 1800 0529 | morsa | clamp | | 3 |

| H=700 mm | | | unità telaio montaggio a muro | unit frame wall mounted | Large 72.3090.03a 6 12/97 | |
|-----------------|-------------|-------------|--|---|---------------------------------|---|
| Pos. | Produkt Nr. | Service Nr. | designazione | designation | | |
| 1 | 72.5133.01 | | telaio senza Supertherm | frame without Supertherm | 159 | 1 |
| | 72.5133.02 | | telaio con Supertherm | frame with Supertherm | 159 | 1 |
| | 72.5133.03 | | telaio marine senza Supertherm | frame marine without Supertherm | 159 | 1 |
| | 72.5133.04 | | telaio con Supertherm | frame with Supertherm | 159 | 1 |
| | 72.5138.01 | | telaio normale | frame standard | 249 | 1 |
| | 72.5138.02 | | telaio marina | frame marine | 249 | 1 |
| | 72.5139.01 | | telaio senza Supertherm | frame without Supertherm | 259 | 1 |
| | 72.5139.02 | | telaio con Supertherm | frame with Supertherm | 259 | 1 |
| | 72.5139.03 | | telaio marine senza Supertherm | frame marine without Supertherm | 259 | 1 |
| | 72.5139.04 | | telaio marine con Supertherm | frame marine with Supertherm | 259 | 1 |
| | 72.5139.05 | | telaio con 2 zone di cottura a gas sinistra | frame with 2 gas cooking zones left | 259 | 1 |
| | 72.5139.06 | | telaio con 2 zone di cottura a gas destra | frame with 2 gas cooking zones right | 259 | 1 |
| | 72.5139.07 | | telaio con 2 zone di cottura a gas sinistra + MS | frame with 2 gas cooking zones left + MS | 259 | 1 |
| | 72.5139.08 | | telaio con 2 zone di cottura a gas destra + MS | frame with 2 gas cooking zones right + MS | 259 | 1 |

| H=700 mm | | unità telaio montaggio a muro | unit frame wall mounted | Large 72.3090.03a 7 12/97 | | |
|----------|-------------|-------------------------------------|-------------------------------|---------------------------------|------|---|
| Pos. | Produkt Nr. | Service Nr. | designazione | designation | | |
| | 72.5134.01 | Induction | telaio normale | frame standard | 159 | 1 |
| | 72.5134.02 | Induction | telaio marina | frame marine | 159 | 1 |
| | 72.5140.01 | Induction | telaio normale | frame standard | 259 | 1 |
| | 72.5140.02 | Induction | telaio marina | frame marine | 259 | 1 |
| | 72.5233 | Induction | telaio | frame | 259 | 1 |
| | | | induzione tutta piastra | full-surface induction | | |
| 2 | 72.5103 | | parete laterale sinistra | side panel left | | 1 |
| 3 | 72.5156 | | parete laterale destra | side panel right | | 1 |
| 4 | 72.4991 | | coperchio di raccordo | connection cover | 200 | 1 |
| | 72.4561 | | coperchio di raccordo | connection cover | 500 | 1 |
| | 72.4993 | | coperchio di raccordo | connection cover | 800 | 1 |
| | 72.4582 | | coperchio di raccordo | connection cover | 1000 | 1 |
| | 72.4960 | Induction | coperchio di raccordo | connection cover | 1000 | 1 |
| | 72.4994 | | coperchio di raccordo | connection cover | 1500 | 1 |
| 4 | 72.5143 | Marine | coperchio di raccordo | connection cover | 200 | 1 |
| | 72.4801 | Marine | coperchio di raccordo | connection cover | 500 | 1 |
| | 72.5145 | Marine | coperchio di raccordo | connection cover | 800 | 1 |
| | 72.4802 | Marine | coperchio di raccordo | connection cover | 1000 | 1 |
| | 72.5146 | Marine | coperchio di raccordo | connection cover | 1500 | 1 |
| 4a | 72.4737 | Induction | parete anteriore | front wall | 500 | 1 |
| | 72.4996 | Induction | parete anteriore | front wall | 800 | 1 |



| | | Baugruppe | unité | unità | unit | Compact 72.3780 / Large 72.3090.04 | |
|------|-------------|-------------|----------------|------------------|------------------|------------------------------------|--------------|
| | | Gestell | cadre | telaio | frame | 1/4 | |
| | | Bodenplatte | plaque de fond | placca del suolo | base plate | 20.11.97 | |
| Pos. | Produkt Nr. | Service Nr. | Bezeichnung | désignation | designazione | designation | |
| 1 | | | Bodenplatte | plaque de fond | placca del suolo | base plate | 1 |
| 2 | | | Bodenplatte | plaque de fond | placca del suolo | base plate | 1 |
| 3 | 72.4344 | | Fuss | ped | piede | foot 100mm | 2 - 4 |
| | 72.4249 | | Fuss | ped | piede | foot 200mm | 2 - 4 |
| 4 | 72.4351.01 | | Fuss | ped | piede | foot 100mm | Marine 2 - 4 |
| | 72.4250 | | Fuss | ped | piede | foot 200mm | Marine 2 - 4 |
| 5 | 75.5006.06 | | Schraube | vis | vite | screw M4 | 6 - 12 |
| 6 | 72.4351.02 | | Fuss | ped | piede | foot 100mm | 2 - 4 |
| | 72.4350.02 | | Fuss | ped | piede | foot 200mm | 2 - 4 |

| | Erklärung | explication | spiegazione | explanation |
|-----|---------------------|---------------------------|------------------------------|---------------------------|
| (H) | Gerät Höhe 700mm | appareil hauteur 700mm | apparecchio altezza 700mm | appliance height 700mm |
| ET | Endtisch | table attenante | tavolo laterale | end-spreader |
| ZT | Zwischentisch | table intermédiaire | tavolo intermedio | centre-spreader |

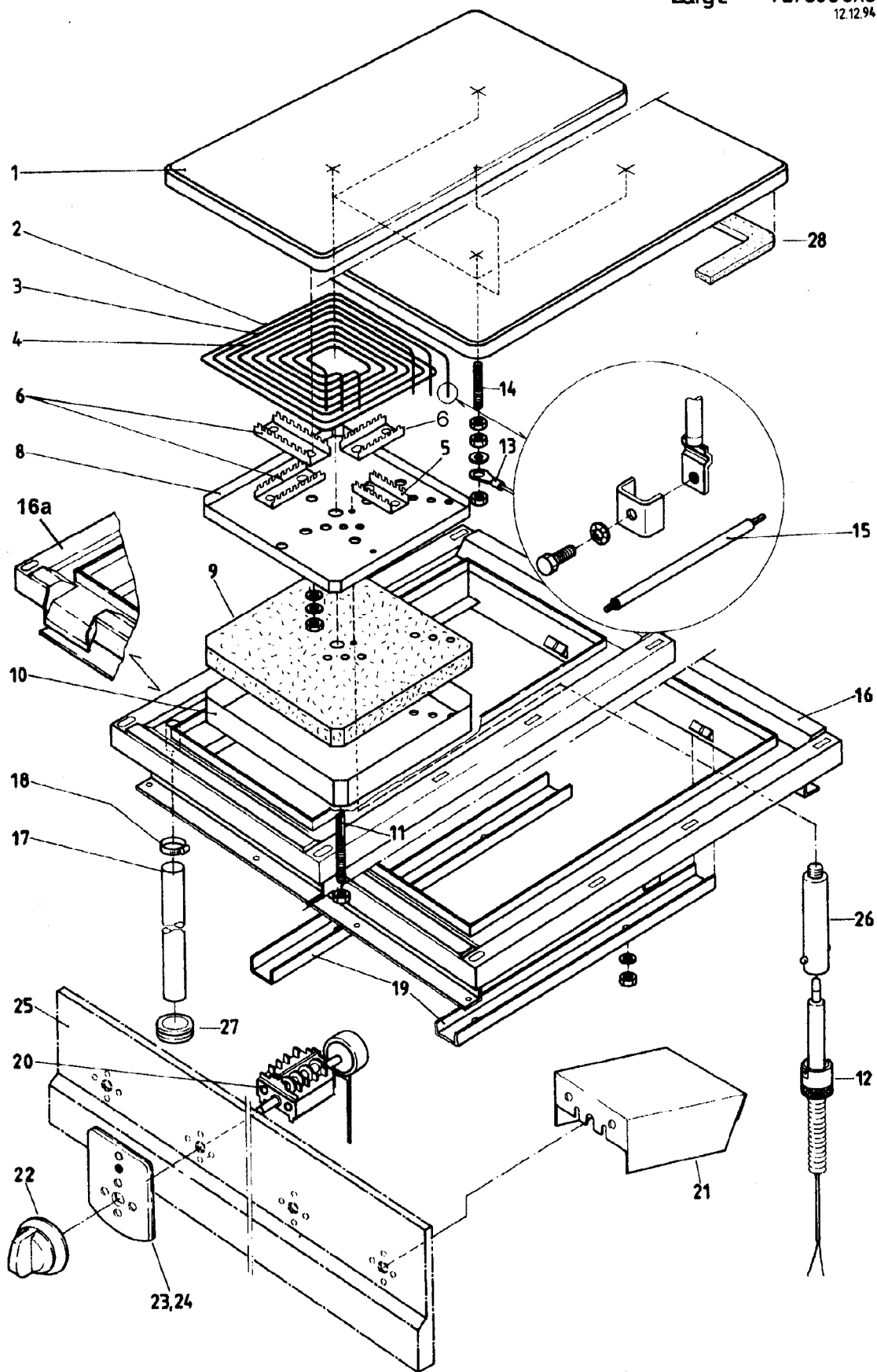
Pos.1 + 2 **Bodenplatte** -placca del suolo - base plate 2/4

| Herdmmodell/Type de fourneau/Typo di cucina/Range model | Produkt Nr | Herdmmodell/Type de fourneau/Typo di cucina/Range model | Produkt Nr | Herdmmodell/Type de fourneau/Typo di cucina/Range model | Produkt Nr |
|---|------------|---|-----------------------|---|------------|
| 129 | 72.5188 | 359 | 72.5190.XX | 148 | 72.5186.XX |
| 159 | 72.4259.XX | 459 | 72.4260.XX+72.4260.XX | 128 | 72.5185 |
| 249 | 72.5189.XX | ET + ZT | 72.4746.XX | 248 | 72.4352.XX |
| 259 | 72.4260.XX | 158 | 72.4353.XX | 258 | 72.5187.XX |

| | | | | | |
|---------------|------------|----------------|-------------------------|---------------|------------|
| (H) LE129-100 | 72.5188 | (H) LE249-227 | 72.5189.02 | HLE259-552 | 72.4260.05 |
| (H) LE129-103 | 72.5188 | (H) LE259-345 | 72.4260.06 | HLE259-553 | 72.4260.05 |
| (H) LE129-104 | 72.5188 | (H) LE259-346 | 72.4260.06 | LE259-554 | 72.4260.02 |
| (H) LE159-341 | 72.4259.07 | (H) LE259-347 | 72.4260.06 | LE259-555 | 72.4260.02 |
| (H) LE159-342 | 72.4259.07 | (H) LE259-348 | 72.4260.06 | LE259-562 | 72.4260.02 |
| (H) LE159-343 | 72.4259.07 | (H) LE259-343 | 72.4260.06 | LE259-563 | 72.4260.02 |
| (H) LE159-344 | 72.4259.07 | (H) LE259-344 | 72.4260.06 | (H) LE259-570 | 72.4260.02 |
| (H) LE159-361 | 72.4259.01 | (H) LE259-380 | 72.4260.01 | (H) LE259-571 | 72.4260.02 |
| (H) LE159-362 | 72.4259.01 | (H) LE259-381 | 72.4260.01 | HLE259-554 | 72.4260.02 |
| (H) LE159-363 | 72.4259.01 | (H) LE259-382 | 72.4260.01 | HLE259-555 | 72.4260.02 |
| (H) LE159-364 | 72.4259.01 | (H) LE259-383 | 72.4260.01 | LE259-556 | 72.4260.04 |
| LI159-371 | 72.4259.01 | (H) LE259-384 | 72.4260.01 | LE259-557 | 72.4260.04 |
| LI159-372 | 72.4259.01 | (H) LE259-385 | 72.4260.01 | LE259-564 | 72.4260.04 |
| HLI159-371 | 72.4259.01 | LI259-375 | 72.4260.01 | LE259-565 | 72.4260.04 |
| HLI159-372 | 72.4259.01 | LI259-376 | 72.4260.01 | (H) LE259-572 | 72.4260.04 |
| LI159-373 | 72.4259.01 | LI259-371 | 72.4260.01 | (H) LE259-573 | 72.4260.04 |
| LI159-374 | 72.4259.01 | LI259-372 | 72.4260.01 | HLE259-556 | 72.4260.04 |
| HLI159-373 | 72.4259.01 | LI259-373 | 72.4260.01 | HLE259-557 | 72.4260.04 |
| HLI159-374 | 72.4259.01 | LI259-374 | 72.4260.01 | LK259-600 | 72.4260.05 |
| LI159-221 | 72.4259.01 | HLI259-375 | 72.4260.01 | LK259-601 | 72.4260.05 |
| LI159-222 | 72.4259.01 | HLI259-376 | 72.4260.01 | LK259-604 | 72.4260.05 |
| HLI159-221 | 72.4259.01 | LI259-390 | 72.4260.01 | LK259-605 | 72.4260.05 |
| HLI159-222 | 72.4259.01 | LI259-391 | 72.4260.01 | (H) LK259-608 | 72.4260.05 |
| (H) LG159-703 | 72.4259.05 | HLI259-390 | 72.4260.01 | (H) LK259-609 | 72.4260.05 |
| (H) LG159-704 | 72.4259.05 | HLI259-391 | 72.4260.01 | HLK259-600 | 72.4260.05 |
| (H) LK159-707 | 72.4259.05 | (H) LG259-711 | 72.4260.05 | HLK259-601 | 72.4260.05 |
| (H) LK159-708 | 72.4259.05 | (H) LG259-712 | 72.4260.05 | LK259-602 | 72.4260.03 |
| (H) LE159-252 | 72.4259.05 | (H) LK259-727 | 72.4260.05 | LK259-603 | 72.4260.03 |
| (H) LE159-256 | 72.4259.05 | (H) LK259-728 | 72.4260.05 | LK259-606 | 72.4260.03 |
| (H) LE159-232 | 72.4259.05 | (H) LK259-707 | 72.4260.05 | LK259-607 | 72.4260.03 |
| (H) LE159-236 | 72.4259.05 | (H) LK259-708 | 72.4260.05 | (H) LK259-610 | 72.4260.03 |
| (H) LE159-262 | 72.4259.03 | LE259-901 | 72.4260.03 | (H) LK259-611 | 72.4260.03 |
| (H) LE159-266 | 72.4259.03 | LE259-902 | 72.4260.03 | HLK259-602 | 72.4260.03 |
| (H) LE159-242 | 72.4259.03 | LE259-945 | 72.4260.03 | HLK259-603 | 72.4260.03 |
| (H) LE159-246 | 72.4259.03 | LE259-946 | 72.4260.03 | (H) LE259-088 | 72.4260.01 |
| (H) LE159-251 | 72.4259.04 | (H) LE259-929 | 72.4260.03 | (H) LE259-091 | 72.4260.01 |
| (H) LE159-255 | 72.4259.04 | (H) LE259-930 | 72.4260.03 | (H) LE259-094 | 72.4260.01 |
| (H) LE159-231 | 72.4259.04 | HLE259-901 | 72.4260.03 | (H) LE259-089 | 72.4260.01 |
| (H) LE159-235 | 72.4259.04 | HLE259-902 | 72.4260.03 | (H) LE259-092 | 72.4260.01 |
| (H) LE159-261 | 72.4259.02 | LE259-903 | 72.4260.05 | (H) LE259-095 | 72.4260.01 |
| (H) LE159-265 | 72.4259.02 | LE259-904 | 72.4260.05 | (H) LE259-090 | 72.4260.01 |
| (H) LE159-241 | 72.4259.02 | LE259-953 | 72.4260.05 | (H) LE259-093 | 72.4260.01 |
| (H) LE159-245 | 72.4259.02 | LE259-954 | 72.4260.05 | (H) LE259-096 | 72.4260.01 |
| (H) LE159-390 | 72.4259.06 | (H) LE259-937 | 72.4260.05 | LE359-371 | 72.5190.06 |
| (H) LE159-313 | 72.4259.01 | (H) LE259-938 | 72.4260.05 | LE359-372 | 72.5190.06 |
| (H) LE159-308 | 72.4259.01 | HLE259-903 | 72.4260.05 | LE359-393 | 72.5190.06 |
| (H) LE159-320 | 72.4259.01 | HLE259-904 | 72.4260.05 | LE359-394 | 72.5190.06 |
| (H) LE159-330 | 72.4259.01 | LE259-905 | 72.4260.02 | LE359-361 | 72.5190.06 |
| (H) LE159-351 | 72.4259.01 | LE259-906 | 72.4260.02 | LE359-362 | 72.5190.06 |
| (H) LE159-328 | 72.4259.01 | LE259-943 | 72.4260.02 | LE359-601 | 72.5190.06 |
| (H) LE159-321 | 72.4259.01 | LE259-944 | 72.4260.02 | LE359-602 | 72.5190.06 |
| (H) LE159-331 | 72.4259.01 | (H) LE259-927 | 72.4260.02 | LE359-607 | 72.5190.06 |
| (H) LE159-317 | 72.4259.01 | (H) LE259-928 | 72.4260.02 | LE359-608 | 72.5190.06 |
| (H) LE159-338 | 72.4259.01 | HLE259-905 | 72.4260.02 | LE359-365 | 72.5190.06 |
| (H) LE159-322 | 72.4259.01 | HLE259-906 | 72.4260.02 | LE359-366 | 72.5190.06 |
| (H) LE159-332 | 72.4259.01 | LE259-907 | 72.4260.04 | LE359-613 | 72.5190.06 |
| (H) LE159-315 | 72.4259.01 | LE259-908 | 72.4260.04 | LE359-614 | 72.5190.06 |
| (H) LE159-348 | 72.4259.01 | LE259-951 | 72.4260.04 | LE359-300 | 72.5190.06 |
| (H) LE159-323 | 72.4259.01 | LE259-952 | 72.4260.04 | LE359-301 | 72.5190.06 |
| (H) LE159-333 | 72.4259.01 | (H) LE259-935 | 72.4260.04 | LE359-304 | 72.5190.06 |
| (H) LE159-170 | 72.4259.01 | (H) LE259-936 | 72.4260.04 | LE359-305 | 72.5190.06 |
| (H) LE159-169 | 72.4259.01 | HLE259-907 | 72.4260.04 | LE359-308 | 72.5190.06 |
| (H) LE159-490 | 72.4259.01 | (H) LE 249-491 | 72.5189.01 | | |
| (H) LE249-200 | 72.5189.05 | HLE259-908 | 72.4260.04 | LE359-309 | 72.5190.06 |
| (H) LE249-204 | 72.5189.05 | LE259-550 | 72.4260.03 | LE359-312 | 72.5190.06 |
| (H) LE249-216 | 72.5189.05 | LE259-551 | 72.4260.03 | LE359-313 | 72.5190.06 |
| (H) LE249-220 | 72.5189.05 | LE259-558 | 72.4260.03 | LE359-316 | 72.5190.06 |
| (H) LE249-208 | 72.5189.03 | LE259-559 | 72.4260.03 | LE359-317 | 72.5190.06 |
| (H) LE249-212 | 72.5189.03 | (H) LE259-566 | 72.4260.03 | LE359-302 | 72.5190.06 |
| (H) LE249-224 | 72.5189.03 | (H) LE259-567 | 72.4260.03 | LE359-303 | 72.5190.06 |
| (H) LE249-228 | 72.5189.03 | HLE259-550 | 72.4260.03 | LE359-306 | 72.5190.06 |
| (H) LE249-199 | 72.5189.04 | HLE259-551 | 72.4260.03 | LE359-307 | 72.5190.06 |
| (H) LE249-203 | 72.5189.04 | LE259-552 | 72.4260.05 | LE359-310 | 72.5190.06 |
| (H) LE249-215 | 72.5189.04 | LE259-553 | 72.4260.05 | L3359-311 | 72.5190.06 |
| (H) LE249-219 | 72.5189.04 | LE259-560 | 72.4260.05 | LE359-314 | 72.5190.06 |
| (H) LE249-207 | 72.5189.02 | LE259-561 | 72.4260.05 | LE359-315 | 72.5190.06 |
| (H) LE249-211 | 72.5189.02 | (H) LE259-568 | 72.4260.05 | LE359-318 | 72.5190.06 |
| (H) LE249-223 | 72.5189.02 | (H) LE259-569 | 72.4260.05 | LE359-319 | 72.5190.06 |
| LE359-379 | 72.5190.05 | LE459-540 | 72.4260.01 + 72.4260.03 | HCI158-106 | 72.4353.01 |
| LE359-380 | 72.5190.05 | LE459-541 | 72.4260.01 + 72.4260.03 | HCI158-107 | 72.4353.01 |
| LE359-401 | 72.5190.05 | LE459-548 | 72.4260.01 + 72.4260.03 | CI158-150 | 72.4353.01 |
| LE359-402 | 72.5190.05 | LE459-549 | 72.4260.01 + 72.4260.03 | CI158-151 | 72.4353.01 |

| | | | | | |
|---------------|-------------------------|-------------------|-------------------------|---------------|------------|
| LE359-383 | 72.5190.03 | LE459-556 | 72.4260.01 + 72.4260.03 | HCI158-150 | 72.4353.01 |
| LE359-384 | 72.5190.03 | LE459-557 | 72.4260.01 + 72.4260.03 | HCI158-151 | 72.4353.01 |
| LE359-405 | 72.5190.03 | LE459-534 | 72.4260.04 + 72.4260.06 | (H) CE158-121 | 72.4353.01 |
| LE359-406 | 72.5190.03 | LE459-535 | 72.4260.04 + 72.4260.06 | (H) CE158-125 | 72.4353.01 |
| LE359-377 | 72.5190.04 | LE459-542 | 72.4260.04 + 72.4260.06 | (H) CE158-122 | 72.4353.01 |
| LE359-378 | 72.5190.04 | LE459-543 | 72.4260.04 + 72.4260.06 | (H) CE158-126 | 72.4353.01 |
| LE359-399 | 72.5190.04 | LE459-550 | 72.4260.04 + 72.4260.06 | (H) CE158-131 | 72.4353.01 |
| LE359-400 | 72.5190.04 | LE459-551 | 72.4260.04 + 72.4260.06 | (H) CE158-135 | 72.4353.01 |
| LE359-381 | 72.5190.02 | LE459-558 | 72.4260.04 + 72.4260.06 | (H) CE158-132 | 72.4353.01 |
| LE359-382 | 72.5190.02 | LE459-559 | 72.4260.04 + 72.4260.06 | (H) CE158-136 | 72.4353.01 |
| LE359-403 | 72.5190.02 | LE459-536 | 72.4260.01 + 72.4260.02 | (H) CE158-262 | 72.4353.05 |
| LE359-404 | 72.5190.02 | LE459-537 | 72.4260.01 + 72.4260.02 | (H) CE158-264 | 72.4353.05 |
| LK359-531 | 72.5190.05 | LE459-544 | 72.4260.01 + 72.4260.02 | (H) CE158-232 | 72.4353.05 |
| LK359-532 | 72.5190.05 | LE459-545 | 72.4260.01 + 72.4260.02 | (H) CE158-233 | 72.4353.05 |
| LK359-539 | 72.5190.05 | LE459-552 | 72.4260.01 + 72.4260.02 | (H) CE158-252 | 72.4353.03 |
| LK359-540 | 72.5190.05 | LE459-553 | 72.4260.01 + 72.4260.02 | (H) CE158-254 | 72.4353.03 |
| LK359-523 | 72.5190.05 | LE459-560 | 72.4260.01 + 72.4260.02 | (H) CE158-242 | 72.4353.03 |
| LK359-524 | 72.5190.05 | LE459-561 | 72.4260.01 + 72.4260.02 | (H) CE158-243 | 72.4353.03 |
| LK359-945 | 72.5190.05 | LK459-917 | 72.4260.03 + 72.4260.05 | (H) CE158-261 | 72.4353.04 |
| LK359-946 | 72.5190.05 | LK459-918 | 72.4260.03 + 72.4260.05 | (H) CE158-263 | 72.4353.04 |
| LK359-953 | 72.5190.05 | LK459-621 | 72.4260.03 + 72.4260.05 | (H) CE158-231 | 72.4353.04 |
| LK359-954 | 72.5190.05 | LK459-622 | 72.4260.03 + 72.4260.05 | (H) CE158-230 | 72.4353.04 |
| LK359-535 | 72.5190.03 | LK459-589 | 72.4260.03 + 72.4260.05 | (H) CE158-251 | 72.4353.02 |
| LK359-536 | 72.5190.03 | LK459-590 | 72.4260.03 + 72.4260.05 | (H) CE158-253 | 72.4353.02 |
| LK359-543 | 72.5190.03 | LK459-557 | 72.4260.03 + 72.4260.05 | (H) CE158-241 | 72.4353.02 |
| LK359-544 | 72.5190.03 | LK459-558 | 72.4260.03 + 72.4260.05 | (H) CE158-240 | 72.4353.02 |
| | | (H) CE248-493 | 72.4352.01 | (H) CE158-492 | 72.4353.01 |
| LK359-527 | 72.5190.03 | LK459-933 | 72.4260.03 + 72.4260.05 | CE148-000 | 72.5186.06 |
| LK359-528 | 72.5190.03 | LK459-934 | 72.4260.03 + 72.4260.05 | CE148-002 | 72.5186.06 |
| LK359-949 | 72.5190.03 | LK459-637 | 72.4260.03 + 72.4260.05 | HCE148-000 | 72.5186.06 |
| LK359-950 | 72.5190.03 | LK459-638 | 72.4260.03 + 72.4260.05 | HCE148-002 | 72.5186.06 |
| LK359-957 | 72.5190.03 | LK459-605 | 72.4260.03 + 72.4260.05 | CG148-001 | 72.5186.07 |
| LK359-958 | 72.5190.03 | LK459-606 | 72.4260.03 + 72.4260.05 | CG148-003 | 72.5186.07 |
| LG359-885 | 72.5190.05 | LK459-573 | 72.4260.03 + 72.4260.05 | HCG148-001 | 72.5186.07 |
| LG359-886 | 72.5190.05 | LK459-574 | 72.4260.03 + 72.4260.05 | HCG148-003 | 72.5186.07 |
| LK359-877 | 72.5190.05 | LK459-913 | 72.4260.03 + 72.4260.04 | (H) CE128-100 | 72.5185 |
| LK359-878 | 72.5190.05 | LK459-914 | 72.4260.03 + 72.4260.04 | (H) CE128-103 | 72.5185 |
| LK359-961 | 72.5190.05 | LK459-617 | 72.4260.03 + 72.4260.04 | (H) CE128-104 | 72.5185 |
| LK359-962 | 72.5190.05 | LK459-618 | 72.4260.03 + 72.4260.04 | (H) CE158-169 | 72.4353.01 |
| LK359-965 | 72.5190.05 | LK459-585 | 72.4260.03 + 72.4260.04 | CE248-105 | 72.4352.06 |
| LK359-966 | 72.5190.05 | LK459-586 | 72.4260.03 + 72.4260.04 | CE248-106 | 72.4352.06 |
| LG359-901 | 72.5190.05 | LK459-553 | 72.4260.03 + 72.4260.04 | HCE248-105 | 72.4352.06 |
| LG359-902 | 72.5190.05 | LK459-554 | 72.4260.03 + 72.4260.04 | HCE248-106 | 72.4352.06 |
| LK359-977 | 72.5190.05 | LK459-929 | 72.4260.02 + 72.4260.05 | (H) CE248-125 | 72.4352.06 |
| LK359-978 | 72.5190.05 | LK459-930 | 72.4260.02 + 72.4260.05 | (H) CE248-126 | 72.4352.06 |
| LE459-961 | 72.4260.05 + 72.4260.06 | LK459-633 | 72.4260.02 + 72.4260.05 | (H) CE248-101 | 72.4352.06 |
| LE459-962 | 72.4260.05 + 72.4260.06 | LK459-634 | 72.4260.02 + 72.4260.05 | (H) CE248-102 | 72.4352.06 |
| LE459-495 | 72.4260.05 + 72.4260.06 | LK459-601 | 72.4260.02 + 72.4260.05 | CE248-117 | 72.4352.06 |
| LE459-496 | 72.4260.05 + 72.4260.06 | LK459-602 | 72.4260.02 + 72.4260.05 | CE248-118 | 72.4352.06 |
| LE459-463 | 72.4260.05 + 72.4260.06 | LK459-569 | 72.4260.02 + 72.4260.05 | HCE248-117 | 72.4352.06 |
| LE459-464 | 72.4260.05 + 72.4260.06 | LK459-570 | 72.4260.02 + 72.4260.05 | HCE248-118 | 72.4352.06 |
| LE459-439 | 72.4260.05 + 72.4260.06 | (H) Te49 | 72.4746.02 | (H) CE248-155 | 72.4352.06 |
| LE459-440 | 72.4260.05 + 72.4260.06 | (H) Td49 | 72.4746.02 | (H) CE248-156 | 72.4352.06 |
| LE459-969 | 72.4260.01 + 72.4260.03 | (H) Te59 | 72.4259.01 | (H) CE248-107 | 72.4352.06 |
| LE459-970 | 72.4260.01 + 72.4260.03 | (H) Td59 | 72.4259.01 | (H) CE248-108 | 72.4352.06 |
| LE459-511 | 72.4260.01 + 72.4260.03 | (H) Te69 | 72.4746.03 | CE248-115 | 72.4352.01 |
| LE459-512 | 72.4260.01 + 72.4260.03 | (H) Td69 | 72.4746.03 | CE248-116 | 72.4352.01 |
| LE459-479 | 72.4260.01 + 72.4260.03 | (H) Te79 | 72.4746.04 | HCE248-115 | 72.4352.01 |
| LE459-480 | 72.4260.01 + 72.4260.03 | (H) Td79 | 72.4746.04 | HCE248-116 | 72.4352.01 |
| LE459-443 | 72.4260.01 + 72.4260.03 | (H) Te89 | 72.5189.01 | (H) CE248-127 | 72.4352.01 |
| LE459-444 | 72.4260.01 + 72.4260.03 | (H) Td89 | 72.5189.01 | (H) CE248-128 | 72.4352.01 |
| LE459-959 | 72.4260.04 + 72.4260.06 | (H) Te99 | 72.4746.05 | (H) CE248-111 | 72.4352.01 |
| LE459-960 | 72.4260.04 + 72.4260.06 | (H) Td99 | 72.4746.05 | (H) CE248-112 | 72.4352.01 |
| LE459-493 | 72.4260.04 + 72.4260.06 | (H) Te109 | 72.4260.01 | CI248-135 | 72.4352.01 |
| LE459-494 | 72.4260.04 + 72.4260.06 | (H) Td109 | 72.4260.01 | CI248-136 | 72.4352.01 |
| LE459-461 | 72.4260.04 + 72.4260.06 | (H) Te79 WPPE-C5 | 72.4746.04 | HCI248-135 | 72.4352.01 |
| LE459-462 | 72.4260.04 + 72.4260.06 | (H) Td79 WPPE-C5 | 72.4746.04 | HCI248-136 | 72.4352.01 |
| LE459-437 | 72.4260.04 + 72.4260.06 | (H) Te89 WPPE-C8 | 72.5189.01 | CG248-201 | 72.4352.08 |
| LE459-438 | 72.4260.04 + 72.4260.06 | (H) Td89 WPPE-C8 | 72.5189.01 | CG248-203 | 72.4352.08 |
| LE459-967 | 72.4260.01 + 72.4260.02 | (H) Te99 WPPE-C8 | 72.4746.05 | HCG248-201 | 72.4352.08 |
| LE459-968 | 72.4260.01 + 72.4260.02 | (H) Td99 WPPE-C8 | 72.4746.05 | HCG248-203 | 72.4352.08 |
| LE459-509 | 72.4260.01 + 72.4260.02 | (H) Te109 WPPE-C8 | 72.4260.01 | (H) CK248-205 | 72.4352.07 |
| LE459-510 | 72.4260.01 + 72.4260.02 | (H) Td109 WPPE-C8 | 72.4260.01 | (H) CK248-207 | 72.4352.07 |
| LE459-477 | 72.4260.01 + 72.4260.02 | (H) CE158-140 | 72.4353.06 | (H) CK248-209 | 72.4352.07 |
| LE459-478 | 72.4260.01 + 72.4260.02 | (H) CE158-141 | 72.4353.06 | (H) CK248-211 | 72.4352.07 |
| LE459-441 | 72.4260.01 + 72.4260.02 | (H) CE158-142 | 72.4353.06 | CK248-221 | 72.4352.07 |
| LE459-442 | 72.4260.01 + 72.4260.02 | (H) CE158-143 | 72.4353.06 | CK248-222 | 72.4352.07 |
| LE459-530 | 72.4260.05 + 72.4260.06 | (H) CE158-100 | 72.4353.01 | HCK248-221 | 72.4352.07 |
| LE459-531 | 72.4260.05 + 72.4260.06 | (H) CE158-101 | 72.4353.01 | HCK248-222 | 72.4352.07 |
| LE459-538 | 72.4260.05 + 72.4260.06 | (H) CE158-102 | 72.4353.01 | (H) CK248-225 | 72.4352.07 |
| LE459-539 | 72.4260.05 + 72.4260.06 | (H) CE158-103 | 72.4353.01 | (H) CK248-226 | 72.4352.07 |
| LE459-546 | 72.4260.05 + 72.4260.06 | CI158-104 | 72.4353.01 | (H) CK248-231 | 72.4352.07 |
| LE459-547 | 72.4260.05 + 72.4260.06 | CI158-105 | 72.4353.01 | (H) CK248-232 | 72.4352.07 |
| LE459-554 | 72.4260.05 + 72.4260.06 | HCI158-104 | 72.4353.01 | CK248-223 | 72.4352.07 |
| LE459-555 | 72.4260.05 + 72.4260.06 | HCI158-105 | 72.4353.01 | CK248-224 | 72.4352.07 |
| LE459-532 | 72.4260.01 + 72.4260.03 | CI158-106 | 72.4353.01 | HCK248-223 | 72.4352.07 |
| LE459-533 | 72.4260.01 + 72.4260.03 | CI158-107 | 72.4353.01 | HCK248-224 | 72.4352.07 |
| (H) CK248-227 | 72.4352.03 | | | | |
| (H) CK248-228 | 72.4352.03 | | | | |

| | | | |
|------------------|------------|------------|------------|
| (H) CK248-233 | 72.4352.07 | SLE159-341 | 72.4259.01 |
| (H) CK248-234 | 72.4352.07 | SLE159-361 | 72.4259.01 |
| CE258-001 | 72.5187.03 | SLI159-371 | 72.4259.01 |
| CE258-002 | 72.5187.03 | SLI159-373 | 72.4259.01 |
| CE258-011 | 72.5187.03 | SLE159-251 | 72.4259.03 |
| CE258-012 | 72.5187.03 | SLE159-261 | 72.4259.05 |
| (H) CE258-021 | 72.5187.03 | SLE159-390 | 72.4259.06 |
| (H) CE258-022 | 72.5187.03 | SLE159-313 | 72.4259.01 |
| HCE258-001 | 72.5187.03 | SLE159-351 | 72.4259.01 |
| HCE258-002 | 72.5187.03 | SLE159-170 | 72.4259.01 |
| CE258-003 | 72.5187.05 | SLE259-345 | 72.4260.01 |
| CE258-004 | 72.5187.05 | SLE259-343 | 72.4260.01 |
| CE258-013 | 72.5187.05 | SLI259-375 | 72.4260.01 |
| CE258-014 | 72.5187.05 | | |
| (H) CE258-023 | 72.5187.05 | | |
| (H) CE258-024 | 72.5187.05 | | |
| HCE258-003 | 72.5187.05 | | |
| HCE258-004 | 72.5187.05 | | |
| CE258-005 | 72.5187.02 | | |
| CE258-006 | 72.5187.02 | | |
| CE258-015 | 72.5187.02 | | |
| CE258-016 | 72.5187.02 | | |
| (H) CE258-025 | 72.5187.02 | | |
| (H) CE258-026 | 72.5187.02 | | |
| HCE258-005 | 72.5187.02 | | |
| HCE258-006 | 72.5187.02 | | |
| CE258-007 | 72.5187.04 | | |
| CE258-008 | 72.5187.04 | | |
| CE258-017 | 72.5187.04 | | |
| CE258-018 | 72.5187.04 | | |
| (H) CE258-027 | 72.5187.04 | | |
| (H) CE258-028 | 72.5187.04 | | |
| HCE258-007 | 72.5187.04 | | |
| HCE258-008 | 72.5187.04 | | |
| CE258-031 | 72.5187.03 | | |
| CE258-032 | 72.5187.03 | | |
| CE258-041 | 72.5187.03 | | |
| CE258-042 | 72.5187.03 | | |
| (H) CE258-051 | 72.5187.03 | | |
| (H) CE258-052 | 72.5187.03 | | |
| HCE258-031 | 72.5187.03 | | |
| HCE258-032 | 72.5187.03 | | |
| CE258-033 | 72.5187.05 | | |
| CE258-034 | 72.5187.05 | | |
| CE258-043 | 72.5187.05 | | |
| CE258-044 | 72.5187.05 | | |
| (H) CE258-053 | 72.5187.05 | | |
| (H) CE258-054 | 72.5187.05 | | |
| HCE258-033 | 72.5187.05 | | |
| HCE258-034 | 72.5187.05 | | |
| CE258-035 | 72.5187.02 | | |
| CE258-036 | 72.5187.02 | | |
| CE258-045 | 72.5187.02 | | |
| CE258-046 | 72.5187.02 | | |
| (H) CE258-055 | 72.5187.02 | | |
| (H) CE258-056 | 72.5187.02 | | |
| HCE258-035 | 72.5187.02 | | |
| HCE258-036 | 72.5187.02 | | |
| CE258-037 | 72.5187.04 | | |
| CE258-038 | 72.5187.04 | | |
| CE258-047 | 72.5187.04 | | |
| CE258-048 | 72.5187.04 | | |
| (H) CE258-057 | 72.5187.04 | | |
| (H) CE258-058 | 72.5187.04 | | |
| HCE258-037 | 72.5187.04 | | |
| HCE258-038 | 72.5187.04 | | |
| (H) Te48 | 72.5186.01 | | |
| (H) Td48 | 72.5186.01 | | |
| (H) Te58 | 72.4353.01 | | |
| (H) Td58 | 72.4353.01 | | |
| (H) Te68 | 72.4746.07 | | |
| (H) Td68 | 72.4746.07 | | |
| (H) Te78 | 72.4746.08 | | |
| (H) Td78 | 72.4746.08 | | |
| (H) Te88 | 72.4352.01 | | |
| (H) Td88 | 72.4352.01 | | |
| (H) Te98 | 72.4746.09 | | |
| (H) Td98 | 72.4746.09 | | |
| (H) Te108 | 72.4746.10 | | |
| (H) Td108 | 72.4746.10 | | |
| (H) Te78 WPE-C5 | 72.4746.08 | | |
| (H) Td78 WPE-C5 | 72.4746.08 | | |
| (H) Te88 WPE-C5 | 72.4352.01 | | |
| (H) Td88 WPE-C5 | 72.4352.01 | | |
| (H) Te98 WPE-C5 | 72.4746.09 | | |
| (H) Td98 WPE-C5 | 72.4746.09 | | |
| (H) Te108 WPE-C8 | 72.4746.10 | | |
| (H) Td108 WPE-C8 | 72.4746.10 | | |



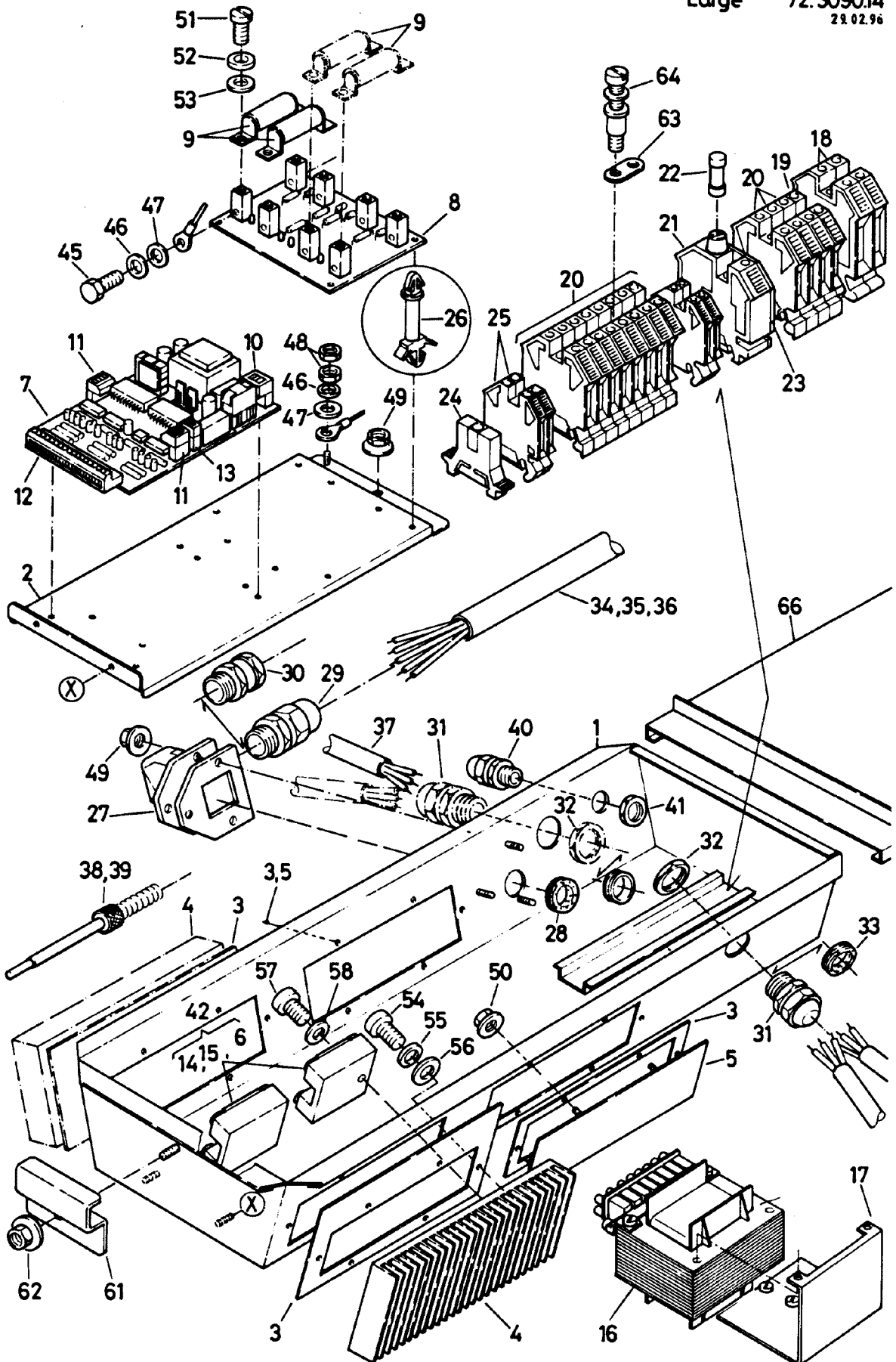
| | | unità piastra MS | unit MS plate | Large 72.3090.12 | | | | | | Intro. | |
|------------|-------------|---------------------|-----------------------|----------------------|------------|-------|------|-------|------|--------|--------|
| Pos. | Produkt Nr. | Service Nr. | designazione | designation | MS92 | MSE92 | MS94 | MSE94 | MS52 | MSE52 | Intro. |
| 1 | 72.2436 | | piastra | plate | 1 | | | | | | |
| | 72.2437 | | piastra | plate | | 1 | | | | | |
| | 72.0349.02 | 72.0349.02KD | piastra | plate | | | 1 | | | | |
| | 72.0349.04 | | piastra | plate | | | | 1 | | | |
| | 72.0349.01 | | piastra | plate | | | | | 1 | | |
| | 72.0349.03 | | piastra | plate | | | | | | 1 | |
| | 72.6885.01 | | piastra | plate | 1 | | | | | | 07/01 |
| | 72.6885.02 | | piastra | plate | | 1 | | | | | 07/01 |
| | 72.6728.01 | | piastra | plate | | | 1 | | | | 07/01 |
| | 72.6728.02 | | piastra | plate | | | | 1 | | | 07/01 |
| | 72.6886.01 | | piastra | plate | | | | | 1 | | 07/01 |
| | 72.6886.02 | | piastra | plate | | | | | | 1 | 07/01 |
| 2 | 72.0484.21 | | asta di riscaldamento | rod heater | 230V 1505W | 2 | 2 | 4 | 4 | 2 | 2 |
| | 72.0484.22 | 1 800 2164 | asta di riscaldamento | rod heater | 400V 1505W | | | | | | |
| | 72.0484.23 | | asta di riscaldamento | rod heater | 415V 1505W | | | | | | |
| | 72.0484.24 | | asta di riscaldamento | rod heater | 440V 1505W | | | | | | |
| | 72.0484.26 | | asta di riscaldamento | rod heater | 200V 1505W | | | | | | |
| 3 | 72.0484.11 | | asta di riscaldamento | rod heater | 230V 1335W | 2 | 2 | 4 | 4 | 2 | 2 |
| | 72.0484.12 | 1 800 2165 | asta di riscaldamento | rod heater | 400V 1335W | | | | | | |
| | 72.0484.13 | | asta di riscaldamento | rod heater | 415V 1335W | | | | | | |
| | 72.0484.14 | | asta di riscaldamento | rod heater | 440V 1335W | | | | | | |
| | 72.0484.16 | | asta di riscaldamento | rod heater | 200V 1335W | | | | | | |
| 4 | 72.0484.01 | | asta di riscaldamento | rod heater | 230V 1160W | 2 | 2 | 4 | 4 | 2 | 2 |
| | 72.0484.02 | 1 800 2166 | asta di riscaldamento | rod heater | 400V 1160W | | | | | | |
| | 72.0484.03 | | asta di riscaldamento | rod heater | 415V 1160W | | | | | | |
| | 72.0484.04 | | asta di riscaldamento | rod heater | 440V 1160W | | | | | | |
| | 72.0484.06 | | asta di riscaldamento | rod heater | 200V 1160W | | | | | | |
| 2a - 4a | 72.5055.01 | | asta di riscaldamento | rod heater | 230V 1160W | 2 | 2 | 4 | 4 | 2 | 2 |
| | 72.5055.02 | | asta di riscaldamento | rod heater | 400V 1160W | | | | | | |
| | 72.5055.03 | | asta di riscaldamento | rod heater | 415V 1160W | | | | | | |
| | 72.5055.04 | | asta di riscaldamento | rod heater | 440V 1160W | | | | | | |
| | 72.5055.05 | | asta di riscaldamento | rod heater | 200V 1160W | | | | | | |
| 5 | 72.0251.01 | | sostegno | support | | 2 | 2 | 4 | 4 | 2 | 2 |
| 6 | 72.0251.02 | | sostegno | support | | 6 | 6 | 12 | 12 | 6 | 6 |
| | 72.6729 | | sostegno | support | | 6 | 6 | 12 | 12 | 6 | 6 |
| 8 | 72.0355 | | lamiera rifrattiva | heat deflector plate | | 2 | 2 | 4 | 4 | 2 | 2 |
| | 72.6726 | | lamiera rifrattiva | heat deflector plate | | 2 | 2 | 4 | 4 | 2 | 2 |

| | | unità piastra MS | unit MS plate | Large 72.3090.12 2/2 17.12.96 | | | | | | | |
|------|----------------|---------------------|-------------------------|-------------------------------------|------|-------|------|-------|------|-------|--------|
| Pos. | Produkt Nr. | Service Nr. | designazione | designation | MS92 | MSE92 | MS94 | MSE94 | MS52 | MSE52 | Intro. |
| 9 | 72.0350 | | isolazione | insulation | 2 | 2 | 4 | 4 | 2 | 2 | |
| | 72.6724 | | isolazione | insulation | 2 | 2 | 4 | 4 | 2 | 2 | 07/01 |
| 10 | 72.0356 | | copertura, rivestimento | casing | 2 | 2 | 4 | 4 | 2 | 2 | |
| | 72.6725 | | copertura, rivestimento | casing | 2 | 2 | 4 | 4 | 2 | 2 | 07/01 |
| 11 | 72.0343 | | spina con filetto | threaded pin M8x100 | 2 | 2 | 4 | 4 | 2 | 2 | |
| 12 | 75.0008.02 | 1 802 5415 | sensore di temperatura | temperature sensor | 2 | 2 | 4 | 4 | 2 | 2 | |
| | 72.6302 | 1802 5564 | sensore di temperatura | temperature sensor ALCE | 2 | 2 | 4 | 4 | 2 | 2 | 07/01 |
| 13 | 72.0412.08 | | testa di cavo | cable shoe | 1 | 1 | 1 | 1 | 1 | 1 | |
| 14 | 1 701 5527 | | bolzone con filetto | threaded bolt M6x80 | 1 | 1 | 1 | 1 | 1 | 1 | |
| 15 | 72.0516 | | cavetto compl. | strand compl. | 8 | 8 | 16 | 16 | 8 | 8 | |
| 16 | 72.2610 | | copertura | cover | 1 | 1 | | | | | |
| | 72.2362 | | copertura | cover | | 1 | 1 | | | | |
| | 72.2358 | | copertura | cover | | | | 1 | 1 | | |
| 16a | 72.4509 | | copertura | cover Marine | 1 | | | | | | |
| | 72.4227 | | copertura | cover Marine | | | 1 | | | | |
| 17 | 1 115 1417 | | tubo di scarico | drain tube | 1 | 1 | 1 | 1 | 1 | 1 | |
| 18 | 12.9827 | | brida | shackle | 1 | 1 | 1 | 1 | 1 | 1 | |
| 19 | 72.0334 | | archetto di tensione | tension clamp | 1 | 1 | 2 | 2 | 1 | 1 | |
| 20 | 72.0006.01 | 1802 5422 | interruttore | interruptor | 2 | 2 | 4 | 4 | 2 | 2 | |
| | 72.6355.01 | | interruttore ALCE | interruptor ALCE L=2,8m | 2 | 2 | 4 | 4 | 2 | 2 | 07/01 |
| 21 | 72.2438 | | lamiera di copertura | cover panel | 2 | 2 | 4 | 4 | 2 | 2 | |
| | 72.5065 | | lamiera di copertura | cover panel | 2 | 2 | 4 | 4 | 2 | 2 | 07/01 |
| 22 | 72.2254.01 | 1900 6114 | manetta | knob | 2 | 2 | 4 | 4 | 2 | 2 | |
| | 72.5056 | | manetta ALCE | ALCE knob | 2 | 2 | 4 | 4 | 2 | 2 | 07/01 |
| 23 | 72.2213 | 1900 6954 | placca, davanti | plate, front | 1/2 | 1/2 | 2/4 | 2/4 | 1/2 | 1/2 | |
| | 72.6390 | | placca, davanti | plate, front Electrolux | 1/2 | 1/2 | 2/4 | 2/4 | | 1/2 | 07/00 |
| 23a | 72.3179 | | placca | plate Silver / ALEX | | | | | | | 07/94 |
| | 72.6794 | | placca | plate Grey / ALEX | | | | | | | 05/01 |
| 24 | 72.2214 | 1900 6955 | placca, dietro | plate, back | 1 | 1 | 2 | 2 | 1 | 1 | |
| | 72.6391 | | placca, dietro | plate, back Electrolux | 1 | 1 | 2 | 2 | 1 | 1 | 09/00 |
| 25 | (*) 72.3090.99 | | lamiera frontale | front panel | | | | | | | |
| 26 | 75.9013.04 | | sostegno di sensore | sensor support | 2 | 2 | 4 | 4 | 2 | 2 | |
| 27 | 712 044 961.17 | | beccuccio | socket Ø30 | 1 | 1 | 1 | 1 | | | |
| 28 | 1201 1947 | | nastro di guarnizione | washer band 10x4 | % | % | % | % | % | % | |
| | (*) | | vedere | see | | | | | | | |

| | | unità | unit | Large 72.3090.13 | | |
|------|-------------|-------------|-------------------------|----------------------|----------|-------|
| | | piastra MS | MS plate | 1/2 | | |
| | | 10.4.1995 | | | | |
| Pos. | Produkt Nr. | Service Nr. | designazione | designation | MS96 | MSE96 |
| 1 | 72.0349.01 | | piastra | plate | 1 | |
| | 72.0349.02 | | piastra | plate | 1 | |
| | 72.0349.03 | | piastra | plate | | 1 |
| | 72.0349.04 | | piastra | plate | | 1 |
| 2 | 72.0484.21 | | asta di riscaldamento | rod heater | 230V 4kW | 6 |
| | 72.0484.22 | 1 800 2164 | asta di riscaldamento | rod heater | 400V 4kW | |
| | 72.0484.23 | | asta di riscaldamento | rod heater | 415V 4kW | |
| | 72.0484.24 | | asta di riscaldamento | rod heater | 440V 4kW | |
| | 72.0484.26 | | asta di riscaldamento | rod heater | 200V 4kW | |
| 3 | 72.0484.11 | | asta di riscaldamento | rod heater | 230V 4kW | 6 |
| | 72.0484.12 | 1 800 2165 | asta di riscaldamento | rod heater | 400V 4kW | |
| | 72.0484.13 | | asta di riscaldamento | rod heater | 415V 4kW | |
| | 72.0484.14 | | asta di riscaldamento | rod heater | 440V 4kW | |
| | 72.0484.16 | | asta di riscaldamento | rod heater | 200V 4kW | |
| 4 | 72.0484.01 | | asta di riscaldamento | rod heater | 230V 4kW | 6 |
| | 72.0484.02 | 1 800 2166 | asta di riscaldamento | rod heater | 400V 4kW | |
| | 72.0484.03 | | asta di riscaldamento | rod heater | 415V 4kW | |
| | 72.0484.04 | | asta di riscaldamento | rod heater | 440V 4kW | |
| | 72.0484.06 | | asta di riscaldamento | rod heater | 200V 4kW | |
| 5 | 72.0251.01 | | | | | 6 |
| 6 | 72.0251.02 | | | | | 18 |
| 8 | 72.0355 | | lamiera rifrattiva | heat deflector plate | | 6 |
| 9 | 72.0350 | | isolazione | insulation | | 6 |
| 10 | 72.0356 | | copertura, rivestimento | casing | | 6 |
| 11 | 72.0343 | | spina con filetto | threaded pin | M8x100 | 6 |
| 12 | 75.0008 | 1 802 5409 | sensore di temperatura | temperature sensor | | 6 |
| 13 | 72.0412.08 | | testa di cavo | cable shoe | | 2 |
| 14 | 1 701 5527 | | bolzone con filetto | threaded bolt | M6x80 | 2 |
| 15 | 72.0516 | | cavetto compl. | strand compl. | | 24 |
| 16 | 72.2358 | | copertura | cover | | 1 |
| 16a | 72.3719 | | copertura | cover | Marine | 1 |
| 17 | 1 115 1417 | | tubo di scarico | drain tube | | 2 |
| 18 | 12.9827 | | brida | shackle | | 2 |
| 19 | 72.0334 | | archetto di tensione | tension clamp | | 3 |
| 20 | 72.0006.01 | 1 802 5422 | interruttore | interruptor | | 6 |
| 21 | 72.2438 | | lamiera di copertura | cover panel | | 6 |

Large 72.3090.13
2/2
10.4.1995

| Pos. | Produkt Nr. | Service Nr. | unità piastra MS | designazione | unit MS plate | designation | Introd. | MS96 | MSE96 |
|------|----------------|-------------|---------------------|---------------------|------------------|-------------|---------|------|-------|
| 22 | 72.2254.01 | 1900 6114 | manetta | manetta | knob | | | 6 | 6 |
| 23 | 72.2213 | 1900 6954 | placca, davanti | placca, davanti | plate, front | | | 3-6 | 3-6 |
| 23a | 72.6390 | | placca, davanti | placca, davanti | plate, front | Electrolux | 09.00 | 3-6 | 3-6 |
| | 72.3179 | | placca | placca | plate | silver/ALEX | 09.94 | | |
| | 72.6794 | | placca | placca | plate | grey/ALEX | 05.01 | | |
| 24 | 72.2214 | 1900 6955 | placca, dietro | placca, dietro | plate, back | | | 0-3 | 0-3 |
| | 72.6391 | | placca, dietro | placca, dietro | plate, back | Electrolux | 09.00 | 0-3 | 0-3 |
| 25 | (*) 72.3090.99 | | lamiera frontale | lamiera frontale | front panel | | | 1-2 | 1-2 |
| 26 | 75.9013.04 | | sostegno di sensore | sostegno di sensore | sensor support | | | 6 | 6 |
| | (*) | | vedere | vedere | see | | | | |



Compact 72.3780.14
Large 72.3090.14
1
15.3.96

| Pos. | Produkt Nr. | Service Nr. | unità cassetto MS | unit MS drawer | | 148/159 | 248/259 |
|------|----------------|-------------|-------------------------|-------------------|-----------|---------|---------|
| 1 | 72.1658 | | cassetto | drawer | | 1 | 1 |
| 2 | 72.1757 | | lamiera | sheet | | 1 | 1 |
| 3 | 72.0981 | 1802 5442 | guarnizione | washer | | 4 | 4 |
| 4 | 72.0983 | | elemento di refrigeraz. | cooling block | | 2 | 4 |
| 5 | 72.1724 | | lamiera | sheet | | 2 | |
| 6 | 72.1131 | 1802 5431 | relè | relay | | 2 | 4 |
| 7 | 72.1657 | 1802 5432 | print di regolatore | control print | | 1 | 1 |
| 8 | 72.1656 | 1802 5433 | print di fusibili | fuse print | | 1 | 1 |
| 9 | 72.1730 | 1802 5434 | fusibile | fuse | 25A/FF | 2 | 4 |
| 10 | 1115 1378 | | morsa | clamp | | 1 | 1 |
| 11 | 1115 1379 | | morsa | clamp | | 1 | 1 |
| 12 | 1115 1380 | | morsa | clamp | | 1 | 1 |
| 13 | 1115 1381 | | morsa | clamp | | 1 | 1 |
| 14 | 72.1492.03 | 1802 5436 | cavo | cable | | 1 | |
| 15 | 72.1492.04 | | cavo | cable | | 1 | 2 |
| 16 | 70.1371 | 1802 5441 | trasformatore | transformer | | 1 | 1 |
| 17 | 72.1758 | | lamiera | sheet | | 1 | 1 |
| 18 | 75.2011.02 | | morsa | clamp | | 2 | 2 |
| 19 | 75.2010.31 | 1800 0875 | morsa | clamp | | 1 | 1 |
| 20 | 75.2010.30 | 1800 0872 | morsa | clamp | | 11 | 11 |
| 21 | 75.2012.01 | 1800 0857 | morsa | clamp | | 1 | 1 |
| 22 | 712 344 362.03 | 1801 3703 | fusibile | fuse | 3,15A/FST | 1 | 1 |
| 23 | 75.2012.02 | 1800 0876 | parete | wall | | 1 | 1 |
| 24 | 75.2013 | | arresto | stopper | | 1 | 1 |
| 25 | 75.2010.20 | 1800 0870 | morsa | clamp | | 2 | 2 |
| 26 | 75.5000.05 | 1901 6162 | pezzo di distanza | spacer part | | 8 | 8 |
| 27 | 75.2007 | | flangia | flange | | 1 | 1 |
| 28 | 712 044 961.15 | | beccuccio | socket | | 1 | 1 |
| 29 | 12.5867 | | collegamento | fitting | PG21 | 1 | 1 |
| 30 | 1115 1392 | | tamburo | stuffing box | PG21 | 1 | 1 |
| 31 | 1117 1195 | | collegamento | fitting | PG16 | 2 | 2 |
| 32 | 1115 1297 | | dado | nut | PG16 | 2 | 2 |
| 33 | 72.0593.04 | | beccuccio | socket | DG16 | 1 | 1 |

unità
cassetto MS

unit
MS drawer

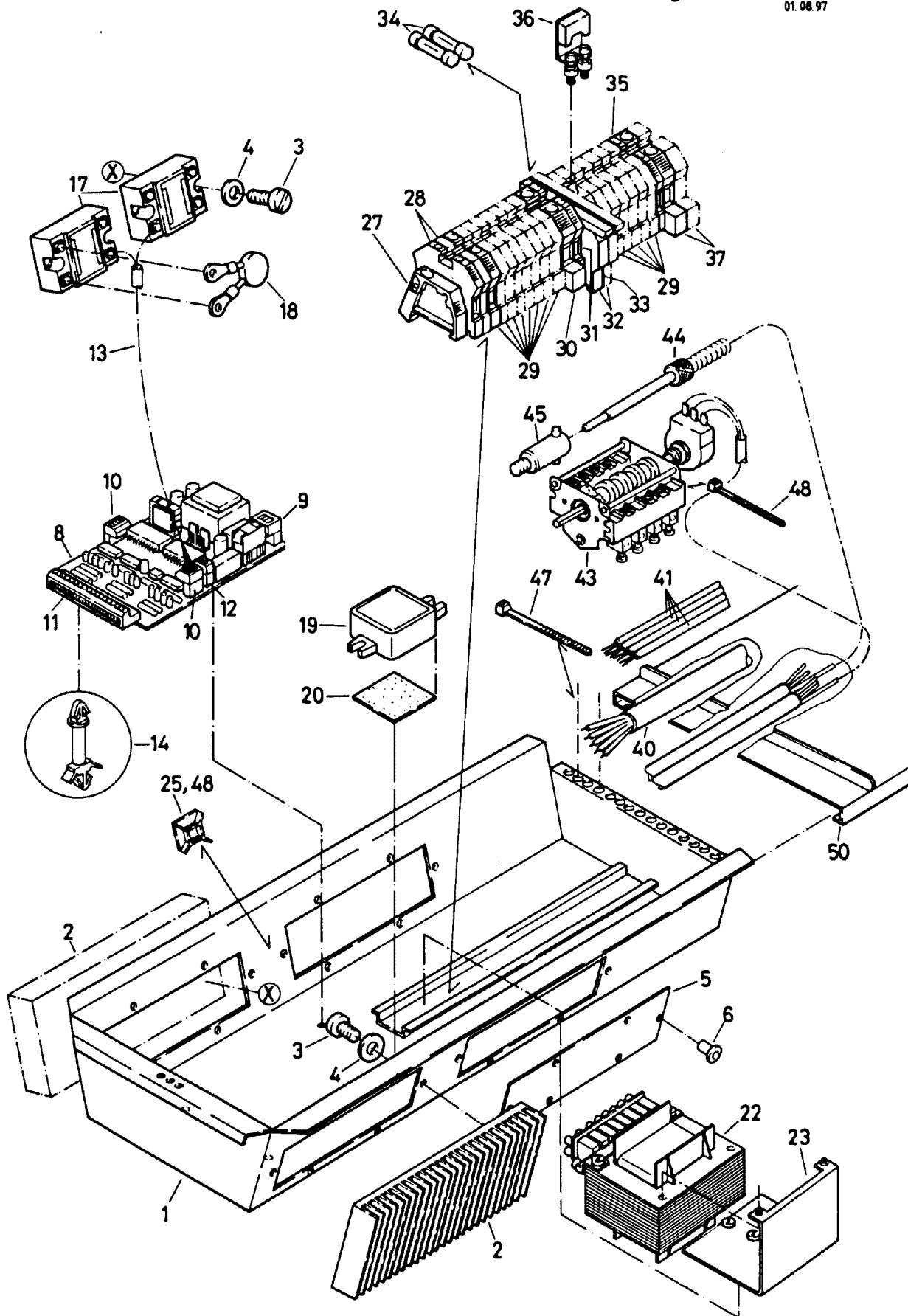
Compact 72.3780.14

Large 72.3090.14

2

15.3.96

| Pos. | Produkt Nr. | Service Nr. | designazione | designation | | 148/159 | 248/259 |
|------|----------------|-------------|-----------------|-------------|---------------------|---------|---------|
| 34 | 72.1721.01 | | cavo | cable | 4x6mm ² | 1 | 1 |
| 35 | 72.1721.03 | | cavo | cable | 5x6mm ² | 1 | 1 |
| 36 | 72.1721.02 | | cavo | cable | 4x10mm ² | 1 | 1 |
| 37 | 72.1798 | | cavetto | strand | 2.5mm ² | 2 | 2 |
| 38 | 75.0008.02 | 1802 5415 | sensore | sensor | | 2 | 4 |
| 39 | 75.9013.01 | 1802 5413 | protezione | protection | | 2 | 4 |
| 40 | 1117 1194 | | collegamento | fitting | PG11 | 1 | 1 |
| 41 | 1103 1530 | | dado | nut | PG11 | 1 | 1 |
| 42 | 72.3431 | | relè | relay | | 1 | 1 |
| 45 | 1701 2063 | | vite | screw | M6x10 | 4 | 8 |
| 46 | 1701 5007 | | anello di molla | spring ring | M6 | 5 | 9 |
| 47 | 1701 4003 | | rondella | disk | M6 | 5 | 9 |
| 48 | 1701 3016 | | dado | nut | M6 | 2 | 2 |
| 49 | 712 044 120.05 | 1101 8576 | dado | nut | M5 | 4 | 4 |
| 50 | 712 044 120.04 | | dado | nut | M4 | 12 | 18 |
| 51 | 1701 2507 | | vite | screw | M5x10 | 4 | 8 |
| 52 | 1701 7002 | | disco | disk | M5 | 4 | 8 |
| 53 | 1701 3535 | | rondella | disk | M5 | 4 | 8 |
| 54 | 1701 2021 | | vite | screw | M4x10 | 20 | 40 |
| 55 | 1701 5002 | | anello di molla | spring ring | M4 | 20 | 40 |
| 56 | 1701 3502 | | rondella | disk | M4 | 20 | 40 |
| 57 | 1701 2503 | | vite | screw | M4x8 | 4 | 8 |
| 58 | 1701 7060 | | disco | disk | M4 | 4 | 8 |
| 61 | 72.0967 | | archetto | clamp | | 1 | 1 |
| 62 | 712 044 120.06 | 1101 8577 | dado | nut | M8 | 1 | 1 |
| 63 | 75.2010.34 | | coprigiunto | latch | | 3 | 3 |
| 64 | 71.7066.90 | | bolzone | bolt | | 3 | 3 |
| 66 | 72.2899 | | guida | guide | | 1 | |
| | 72.2898 | | guida | guide | | | 1 |



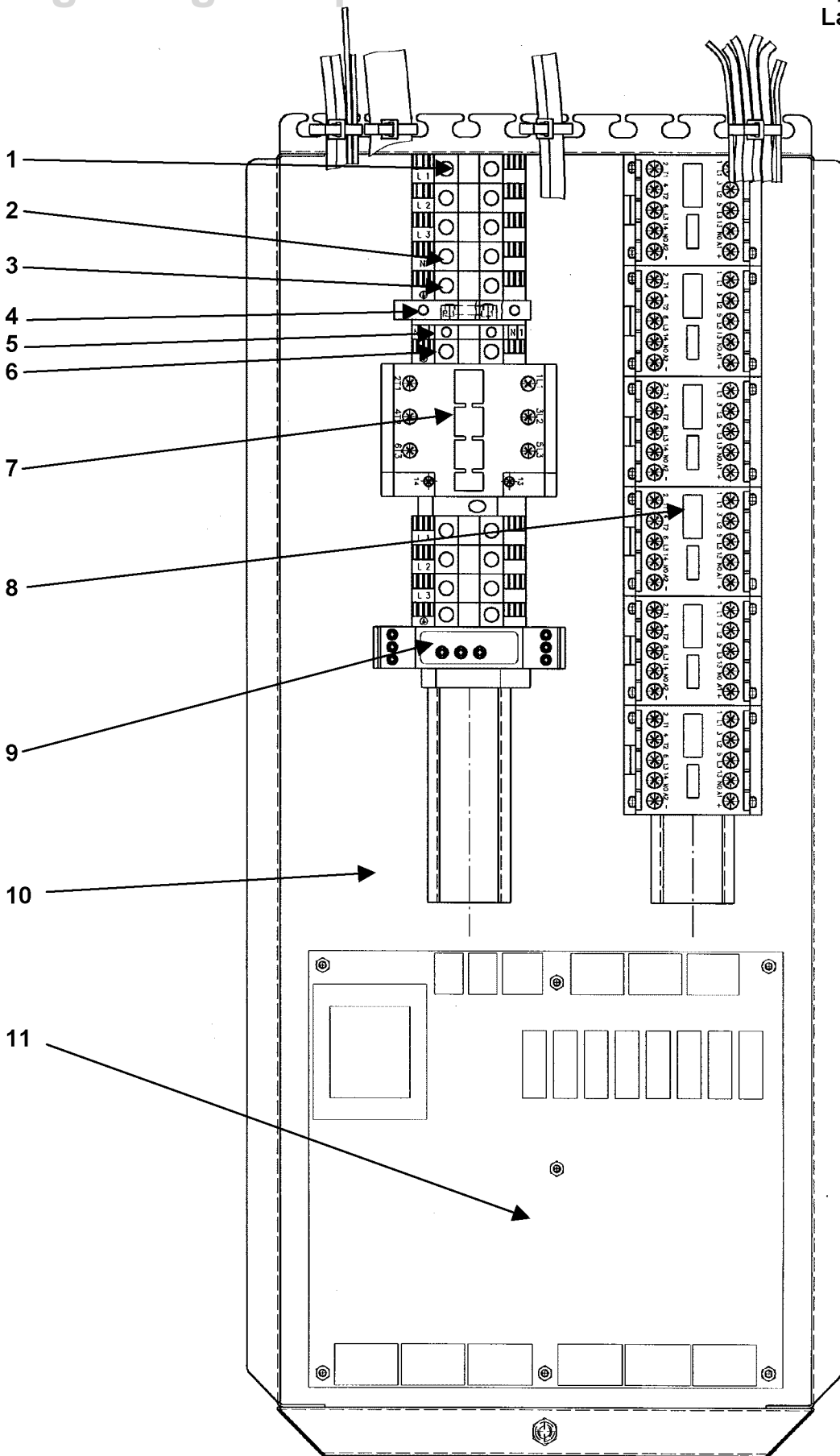
| Pos. | Produkt Nr. | Service Nr. | unità cassetto MS | unit MS drawer | | Compact 72.3780.14a Large 72.3090.14a | 1 1.8.97 |
|------|----------------|-------------|-------------------------|-------------------|-----------|--|-------------|
| Pos. | Produkt Nr. | Service Nr. | designazione | designation | | 148/159 | 248/259 |
| 1 | 72.4554 | | cassetto | drawer | | 1 | 1 |
| 2 | 70.0983 | | elemento di refrigeraz. | cooling block | PR165 | 1 | 2/4 |
| 3 | 1701 2021 | | vite | screw | M4x10 | 20 | 40 |
| 4 | 1701 7060 | | disco | disk | M4 | 20 | 40 |
| 5 | 72.1724 | | lamiera | sheet | | 3 | 2 |
| 6 | 1701 1093 | | rivetta | rivet | Ø4.8x9 | 36 | 12 |
| 8 | 72.4956 | 1802 5580 | print | print | | 1 | 1 |
| 9 | 1115 1378 | 1802 5435 | morsa | clamp | | 1 | 1 |
| 10 | 1115 1379 | | morsa | clamp | | 2 | 2 |
| 11 | 1115 1380 | 1802 5437 | morsa | clamp | | 1 | 1 |
| 12 | 1115 1381 | 1802 5438 | morsa | clamp | | 1 | 1 |
| 13 | 72.1492.03 | 1802 5436 | cavo | cable | 404-440V | 1 | 2 |
| | 72.1492.04 | 1802 5440 | cavo | cable | 200-230V | 1 | 2 |
| 14 | 75.5000.05 | 1901 6162 | sostegno | support | | 4 | 4 |
| 17 | 72.1131 | 1802 5431 | relè | relay | HD4850 | 2 | 4 |
| 18 | 72.3431 | 1802 5581 | varistore | varistor | MOV510 | 2 | 4 |
| 19 | 72.4607 | 1802 5582 | filtro di rete | supply filter | 3F20-4 | 1 | 1 |
| 20 | 72.1444 | | nastro adesivo | adhesive strip | 5cm | 1 | 1 |
| 22 | 70.1371 | 1802 5441 | trasformatore | transformer | 200-440V | 1 | 1 |
| 23 | 72.1758 | | sostegno | support | | 1 | 1 |
| 25 | 1115 1283 | | piastra | plate | | 2 | 2 |
| 27 | 75.2013 | | arresto | stopper | | 1 | 1 |
| 28 | 75.2010.20 | | morsa | clamp | RK2,5-4PA | 2 | 2 |
| 29 | 75.2010.30 | | morsa | clamp | PK6-10PA | 7/9 | 11/14 |
| 30 | 75.2011.01 | | morsa | clamp | SL4/35 | 1 | 1 |
| 31 | 75.2010.21 | | morsa | clamp | PK2,5-4PA | 1 | 1 |
| 32 | 75.2012.01 | 1802 5573 | morsa | clamp | | 1 /2 | 1 /2 |
| 33 | 75.2012.02 | | parete | wall | | 1 /2 | 1 /2 |
| 34 | 712 344 362.03 | 1801 3703 | fusibile | fuse | 5x20 | 1 /2 | 1 /2 |
| 35 | 75.2010.31 | | morsa | clamp | RK6-10PA | 1 | 1 |

unità
cassetto MS

unit
MS drawer

Compact 72.3780.14a
Large 72.3090.14a
2
1.8.97

| Pos. | Produkt Nr. | Service Nr. | designazione | designation | | 148/159 | 248/259 |
|------|-------------|-------------|----------------|-------------|----------|---------|---------|
| 36 | 75.2010.34 | | congiungimento | connection | RK6-10PA | 2 | 3 |
| 37 | 75.2011.02 | | morsa | clamp | SL10/35 | 2 | 2 |
| 40 | 72.1721.01 | | cavo | cable | 440V | 1 | 1 |
| | 72.1721.03 | | cavo | cable | 400-415V | 1 | 1 |
| | 72.1721.02 | | cavo | cable | 200-230V | 1 | 1 |
| 41 | 72.4101.01 | | cavo | cable | | 1 | 1 |
| | 72.4101.02 | | cavo | cable | | 1 | 1 |
| | 72.4101.03 | | cavo | cable | | | 1 |
| | 72.4101.04 | | cavo | cable | | | 1 |
| 43 | 72.4955 | 1802 5583 | interruttore | switch | | 2 | 4 |
| 44 | 75.0008.02 | 1802 5415 | sensore | sensor | | 2 | 4 |
| 45 | 75.9013.04 | 1802 5413 | protezione | protection | | 2 | 4 |
| 47 | 1115 1391 | 1101 9008 | brida di cavo | cable clamp | 4,8x200 | 36 | 12 |
| 48 | 1115 1235 | | brida di cavo | cable clamp | | 3 | 3 |
| 50 | 72.2899 | | guida | guide | | 1 | |
| | 72.2898 | | guida | guide | | | 1 |



| | | |
|-------------|-----------|---------------------|
| unità | unit | Compact 72.3780.14b |
| cassetto MS | MS drawer | Large 72.3090.14b |
| ALCE | ALCE | 1 |
| | | 02.07.01 |

| Pos. | Product Nr. | Service Nr. | designazione | designation | 148/159 | 248/259 | Introd. |
|------|-------------|-------------|------------------------|---------------------|---------|---------|---------|
| 1 | 75.2010.40 | | morsa | phase terminal | 6 | 6 | |
| 2 | 75.2010.41 | | morsa condut. neutrale | neutral wire term. | 1 | 1 | |
| 3 | 75.2011.03 | | morsa di protezione | protection terminal | 1 | 1 | |
| 4 | 75.2012.01 | | morsa per fusibile | fuse terminal | 1 | 1 | |
| 5 | 75.2010.21 | | morsa condut. neutrale | neutral wire term. | 1 | 1 | |
| 6 | 75.2011.02 | | morsa di protezione | protection terminal | 2 | 2 | |
| 7 | 1115 1355 | | contattore | contactor | 1 | 1 | |
| 8 | 72.5208.01 | | mini-contattore | mini-contactor | 6 | 6 | |
| 9 | 72.6715.02 | | relé di tempo | time relay | 1 | 1 | |
| 10 | 72.6209 | | cassetto | rack | 1 | 1 | |
| 11 | 72.6431 | | print | circuit board | 1 | 1 | |



| MARINE ALEX / EMS | | unità cassetto | unit drawer | Large 72.3090.16 | |
|--------------------------|-------------|------------------------|--------------------|------------------|------------|
| Type | Produkt Nr. | designazione | designation | 159 | 259 |
| | | | | | 1 06.98 |
| BP/ALEMS | 72.4934.01 | cassetto completo | drawer complete | | 1 |
| | 75.0008.02 | sensore di temperatura | temperature sensor | | 8 |
| | 1115 1478 | morsa | terminal | | 8 |
| | 75.2010.20 | morsa | terminal | | 12 |
| | 75.2011.02 | supporto finale | end support | | 2 |
| | 75.2011.03 | morsa di terra | earth clamp | | 1 |
| BP/ALEX | 72.4934.02 | cassetto completo | drawer complete | | 1 |
| | 75.0008.02 | sensore di temperatura | temperature sensor | | 4 |
| | 1115 1478 | morsa | terminal | | 4 |
| | 75.2010.20 | morsa | terminal | | 12 |
| | 75.2011.02 | supporto finale | end support | | 2 |
| | 75.2011.03 | morsa di terra | earth clamp | | 1 |
| BP/EMS | 72.4934.03 | cassetto completo | drawer complete | | 1 |
| | 75.0008.02 | sensore di temperatura | temperature sensor | | 4 |
| | 1115 1478 | morsa | terminal | | 4 |
| BP/BO/ALEMS | 72.4934.04 | cassetto completo | drawer complete | | 1 |
| | 75.0008.02 | sensore di temperatura | temperature sensor | | 8 |
| | 72.5289 | sensore di temperatura | temperature sensor | | 2 |
| | 72.5290 | sensore di temperatura | temperature sensor | | 2 |
| | 1115 1478 | morsa | terminal | | 12 |
| | 75.2010.20 | morsa | terminal | | 16 |
| | 75.2011.02 | supporto finale | end support | | 2 |
| | 75.2011.03 | morsa di terra | earth clamp | | 1 |
| | 75.2010.23 | separazione | partition wall | | 1 |

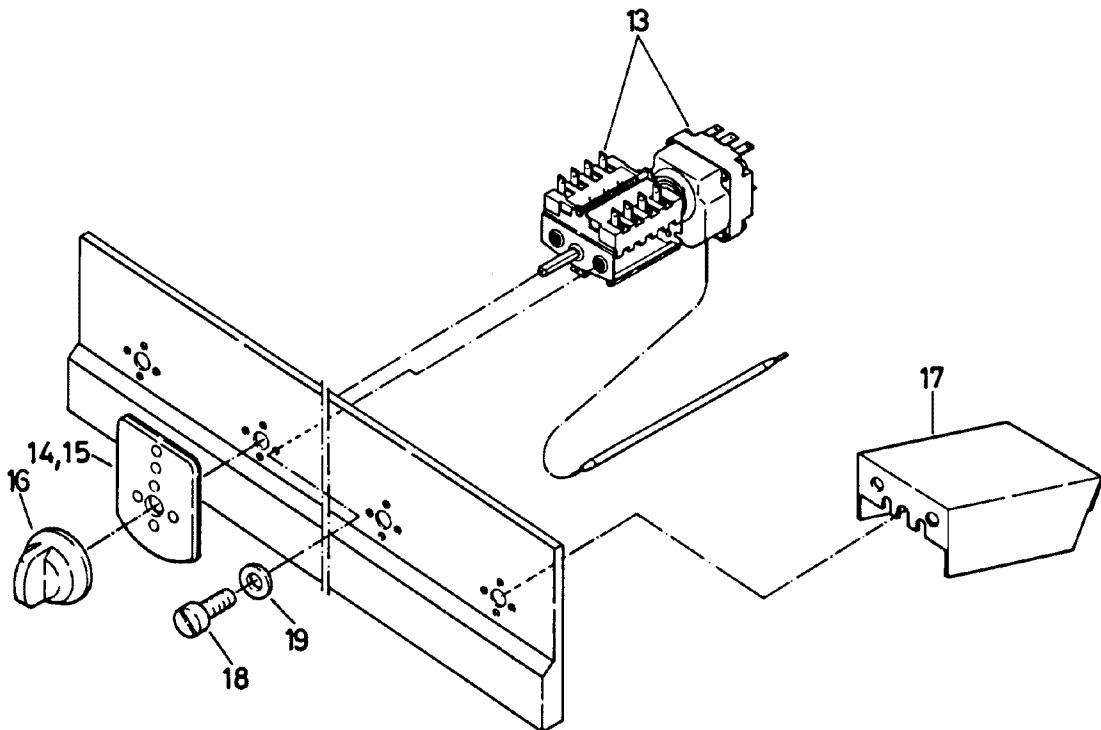
| MARINE ALEX/EMS | | unità cassetto | unit drawer | Large 72.3090.16 | |
|-----------------|-------------|------------------------|--------------------|------------------|-----|
| Type | Produkt Nr. | designazione | designation | 159 | 259 |
| BP/ALEX | 72.4934.05 | cassetto completo | drawer complete | 1 | |
| | 75.0008.02 | sensore di temperatura | temperature sensor | 2 | |
| | 1115 1478 | morsa | terminal | 2 | |
| | 75.2010.20 | morsa | terminal | 6 | |
| | 75.2011.02 | supporto finale | end support | 1 | |
| | 75.2011.03 | morsa di terra | earth clamp | 1 | |
| BP/EMS | 72.4934.06 | cassetto completo | drawer complete | 1 | |
| | 75.0008.02 | sensore di temperatura | temperature sensor | 2 | |
| | 1115 1478 | morsa | terminal | 2 | |
| BP/ALEMS | 72.4934.07 | cassetto completo | drawer complete | 1 | |
| | 75.0008.02 | sensore di temperatura | temperature sensor | 4 | |
| | 1115 1478 | morsa | terminal | 4 | |
| | 75.2010.20 | morsa | terminal | 6 | |
| | 75.2011.02 | supporto finale | end support | 1 | |
| | 75.2011.03 | morsa di terra | earth clamp | 1 | |
| BP/BO/ALEX | 72.4934.08 | cassetto completo | drawer complete | | 1 |
| | 75.0008.02 | sensore di temperatura | temperature sensor | | 4 |
| | 72.5290 | sensore di temperatura | temperature sensor | | 2 |
| | 1115 1478 | morsa | terminal | | 6 |
| | 75.2010.20 | morsa | terminal | | 16 |
| | 75.2011.02 | supporto finale | end support | | 2 |
| | 75.2011.03 | morsa di terra | earth clamp | | 1 |
| | 75.2010.23 | separazione | partition wall | | 1 |

| MARINE ALEX/EMS | | unità cassetto | unit drawer | Large 72.3090.16 |
|-----------------|-------------|------------------------|--------------------|------------------|
| Type | Produkt Nr. | designazione | designation | 159 259 |
| MS/BO/ALEMS | 72.4935.01 | cassetto completo | drawer complete | 1 |
| | 75.0008.02 | sensore di temperatura | temperature sensor | 8 |
| | 72.5289 | sensore di temperatura | temperature sensor | 2 |
| | 72.5290 | sensore di temperatura | temperature sensor | 2 |
| | 1115 1478 | morsa | terminal | 13 |
| | 1103 1644 | sensore di temperatura | temperature sensor | 1 |
| | 75.2010.20 | morsa | terminal | 12 |
| | 75.2011.02 | supporto finale | end support | 2 |
| | 75.2011.03 | morsa di terra | earth clamp | 1 |
| | 75.2010.23 | separazione | partition wall | 1 |
| MS/BO/ALEX | 72.4935.02 | cassetto completo | drawer complete | 1 |
| | 75.0008.02 | sensore di temperatura | temperature sensor | 4 |
| | 72.5290 | sensore di temperatura | temperature sensor | 2 |
| | 1115 1478 | morsa | terminal | 7 |
| | 1103 1644 | sensore di temperatura | temperature sensor | 1 |
| | 75.2010.20 | morsa | terminal | 12 |
| | 75.2011.02 | supporto finale | end support | 2 |
| | 75.2011.03 | morsa di terra | earth clamp | 1 |
| | 75.2010.23 | separazione | partition wall | 1 |
| MS/ALEMS | 72.4935.03 | cassetto completo | drawer complete | 1 |
| | 75.0008.02 | sensore di temperatura | temperature sensor | 4 |
| | 1115 1478 | morsa | terminal | 5 |
| | 1103 1644 | sensore di temperatura | temperature sensor | 1 |
| | 75.2010.20 | morsa | terminal | 4 |
| | 75.2011.02 | supporto finale | end support | 1 |
| | 75.2011.03 | morsa di terra | earth clamp | 1 |

| MARINE ALEX/EMS | | unità cassetto | unit drawer | Large 72.3090.16 | |
|-----------------|-------------|------------------------|----------------------|--------------------|-----|
| Type | Produkt Nr. | designazione | designation | 159 | 259 |
| MS/ALEX | 72.4935.04 | cassetto completo | drawer complete | 1 | |
| | 75.0008.02 | sensore di temperatura | temperature sensor | 2 | |
| | 1115 1478 | morsa | terminal | 3 | |
| | 1103 1644 | sensore di temperatura | temperature sensor | 1 | |
| | 75.2010.20 | morsa | terminal | 4 | |
| | 75.2011.02 | supporto finale | end support | 1 | |
| | 75.2011.03 | morsa di terra | earth clamp | 1 | |
| | MS/ALEX | 72.4935.05 | cassetto completo | drawer complete | |
| 75.0008.02 | | sensore di temperatura | temperature sensor | | 4 |
| 1115 1478 | | morsa | terminal | | 5 |
| 1103 1644 | | sensore di temperatura | temperature sensor | | 1 |
| 75.2010.20 | | morsa | terminal | | 8 |
| 75.2011.02 | | supporto finale | end support | | 1 |
| 75.2011.03 | | morsa di terra | earth clamp | | 1 |
| MS/ALEMS | | 72.4935.06 | cassetto completo | drawer complete | |
| | 75.0008.02 | sensore di temperatura | temperature sensor | | 8 |
| | 1115 1478 | morsa | terminal | | 9 |
| | 1103 1644 | sensore di temperatura | temperature sensor | | 1 |
| | 75.2010.20 | morsa | terminal | | 8 |
| | 75.2011.02 | supporto finale | end support | | 1 |
| | 75.2011.03 | morsa di terra | earth clamp | | 1 |
| | MS/BO/ALEMS | 72.4935.07 | cassetto completo | drawer complete | 1 |
| 75.0008.02 | | sensore di temperatura | temperature sensor | 4 | |
| 72.5289 | | sensore di temperatura | temperature sensor | 2 | |
| 72.5290 | | sensore di temperatura | temperature sensor | 2 | |
| 1115 1478 | | morsa | terminal | 9 | |
| 1103 1644 | | sensore di temperatura | temperature sensor | 1 | |
| 75.2010.20 | | morsa | terminal | 8 | |
| 75.2011.02 | | supporto finale | end support | 2 | |
| 75.2011.03 | | morsa di terra | earth clamp | 1 | |

| MARINE ALEX/EMS | | unità cassetto | unit drawer | Large 72.3090.16 5 06.98 | |
|------------------|-------------|--------------------------|---------------------|--------------------------------|-----|
| Type | Produkt Nr. | designazione | designation | 159 | 259 |
| MS/BO/ALEX | 72.4935.08 | cassetto completo | drawer complete | 1 | |
| | 75.0008.02 | sensore di temperatura | temperature sensor | 2 | |
| | 72.5290 | sensore di temperatura | temperature sensor | 2 | |
| | 1115 1478 | morsa | terminal | 5 | |
| | 1103 1644 | sensore di temperatura | temperature sensor | 1 | |
| | 75.2010.20 | morsa | terminal | 8 | |
| | 75.2011.02 | supporto finale | end support | 2 | |
| | 75.2011.03 | morsa di terra | earth clamp | 1 | |
| MS/BP/BO/ALEMS | 72.5245.01 | cassetto completo | drawer complete | | 1 |
| | 75.0008.02 | sensore di temperatura | temperature sensor | | 8 |
| | 72.5289 | sensore di temperatura | temperature sensor | | 2 |
| | 72.5290 | sensore di temperatura | temperature sensor | | 2 |
| | 1115 1478 | morsa | terminal | | 13 |
| | 1103 1644 | sensore di temperatura | temperature sensor | | 1 |
| | 75.2010.20 | morsa | terminal | | 14 |
| | 75.2011.02 | supporto finale | end support | | 2 |
| | 75.2011.03 | morsa di terra | earth clamp | | 1 |
| | 75.2010.23 | separazione | partition wall | | 1 |
| BP | | placca per arrostire | fry-top | | |
| MS | | piastra tutta superficie | large cooking plate | | |
| BO | | forno | baking oven | | |
| ALEX | | comando esterno | external control | | |
| EMS | | | | | |
| ALEMS (ALEX+EMS) | | comando esterno | external control | | |

Comact 72.3780.20
Large 72.3090.20
29.02.96



| | | unità | unit | Compact 72.3780.20 | | | | |
|------|-------------|---------------------|------------------------|--------------------|------------|-----|-----|-----|
| | | piano vetroceramica | ceramic hob | Large 72.3090.20 | | | | |
| | | | | 1/2 | | | | |
| | | | | 15.3.96 | | | | |
| Pos. | Produkt Nr. | Service Nr. | designazione | designation | 158 | 159 | 248 | 259 |
| 1 | 72.2681 | | copertura compl. | cover compl. | 1 | | | |
| | 72.2683 | | copertura compl. | cover compl. | | 1 | | |
| | 72.2682 | | copertura compl. | cover compl. | | | 1 | |
| | 72.2684 | | copertura compl. | cover compl. | | | | 1 |
| 1a | 72.2621 | | copertura | cover | 1 | | | |
| | 72.2623 | | copertura | cover | | 1 | | |
| | 72.2622 | | copertura | cover | | | 1 | |
| | 72.2624 | | copertura | cover | | | | 1 |
| 1b | 72.1106 | 1800 1480 | piano vetroceramica | ceramic hob | 1 | | | |
| | 72.3120 | 1800 1481 | piano vetroceramica | ceramic hob | | 1 | | |
| | 72.1906 | 1800 1482 | piano vetroceramica | ceramic hob | | | 1 | |
| | 72.3121 | 1800 1483 | piano vetroceramica | ceramic hob | | | | 1 |
| 1c | 1201 1444 | 1802 5483 | sostegno | base | | | | |
| 1d | | 1201 1948 | colla | adhesive | | | | |
| | | | | Silicon | | | | |
| 2 | 72.2895.01 | 1800 2881 | riscaldamento | heating | 4kW/400V | 2 | 2 | 4 |
| | 72.2895.02 | | riscaldamento | heating | 4kW/415V | 2 | 2 | 4 |
| | 72.2895.03 | | riscaldamento | heating | 4kW/440V | 2 | 2 | 4 |
| | 72.2895.04 | | riscaldamento | heating | 3,5kW/230V | 2 | 2 | 4 |
| | 72.2895.05 | | riscaldamento | heating | 3,5kW/240V | 2 | 2 | 4 |
| | 72.2895.06 | | riscaldamento | heating | 3,2kW/200V | 2 | 2 | 4 |
| 2a | 72.2896.01 | 1800 2880 | riscaldamento/riconos. | heating/pan sensor | 4kW/400V | 2 | 2 | 4 |
| 3 | 72.2159.03 | | lamiera | sheet | | 1 | | |
| | 72.2159.04 | | lamiera | sheet | | | 1 | |
| | 72.2792.02 | | lamiera | sheet | | | | 2 |
| | 72.2159.02 | | lamiera | sheet | | | | 2 |
| 4 | 75.9005 | 1802 5480 | molla | spring | | 8 | 8 | 16 |
| 5 | 1701 3513 | 1802 5481 | disco | disk | M8 | 12 | 12 | 20 |
| 6 | 1701 5008 | | anello di molla | spring ring | M8 | 4 | 4 | 8 |
| 7 | 1701 2582 | | vite | screw | M8x12 | 4 | 4 | 8 |
| 8 | 1701 3044 | | dado | nut | M8 | 4 | 4 | 8 |
| 9 | 1701 2569 | | vite | screw | M8 | 4 | 4 | 8 |
| 10 | 72.1275 | 1900 1413 | raschietto | scraper | | 1 | 1 | 1 |
| 10a | | 1900 1414 | lama | blade | | | | 1 |

unità
piano vetroceramica

unit
ceramic hob

Compact 72.3780.20
Large 72.3090.20
2/2
15.3.96

| Pos. | Produkt Nr. | Service Nr. | designazione | designation | Introd. | 158 | 159 | 248 | 259 |
|------|-------------|-------------|-----------------|-------------|------------------|-----|-----|-----|-----|
| 13 | 75.0005 | 1802 5426 | regolatore | regulator | | 2 | 2 | 4 | 4 |
| 14 | 72.2213 | 1900 6954 | piastra davanti | plate front | | 1 | 1 | 2 | 2 |
| | 72.6390 | | piastra davanti | plate front | Electrolux 09.00 | 1 | 1 | 2 | 2 |
| 15 | 72.2214 | 1900 6955 | piastra dietro | plate back | | 1 | 1 | 2 | 2 |
| | 72.6391 | | piastra dietro | plate back | Electrolux 09.00 | 1 | 1 | 2 | 2 |
| 16 | 72.2262.01 | 1901 6163 | manetta | knob | | 2 | 2 | 4 | 4 |
| 17 | 72.2438 | | lamiera | sheet | | 2 | 2 | 4 | 4 |
| 18 | 1 701 2019 | | vite | screw | M4x8 | 4 | 4 | 8 | 8 |
| 19 | 1 701 5002 | | anello di molla | spring ring | M4 | 4 | 4 | 8 | 8 |

Compact 72.3780.21
Large 72.3090.21
2902.96



unità
riconoscimento pentola unit
pan sensor

Compact 72.3780.21
Large 72.3090.21
1/2
15.3.96

| Pos. | Produkt Nr. | Service Nr. | designazione | designation | | 148/159 | 248/259 |
|------|---------------|-------------|---------------|-------------|----------|---------|---------|
| 1 | 72.1924 | | cassetto | drawer | | 1 | 1 |
| 2 | 72.1757 | | lamiera | sheet | | 1 | 1 |
| 3 | 72.1846 | 1 802 5445 | print | print | | 1 | 2 |
| 4 | 75.5000.04 | | sostegno | support | | 4 | 8 |
| 5 | 72.0967 | | archetto | clamp | | 1 | 1 |
| 6 | 712 044120.06 | 1 101 8577 | dado | nut | | 1 | 1 |
| 7 | 70.1371 | 1 802 5441 | trasformatore | transformer | 400-440V | 1 | 1 |
| 8 | 72.1758 | | sostegno | support | | 1 | 1 |
| 9 | 75.2011.03 | 1 800 0864 | morsa | clamp | | 1 | 1 |
| 10 | 75.2010.31 | 1 800 0875 | morsa | clamp | | 1 | 1 |
| 11 | 75.2010.30 | 1 800 0872 | morsa | clamp | | 6 | 6 |
| 12 | 75.2010.34 | | coprigiunto | latch | | 3 | 3 |
| 13 | 71.7066.90 | | bolzone | bolt | | 3 | 3 |
| 14 | 75.2010.22 | | parete | wall | | 2 | 2 |
| 15 | 75.2012.01 | 1 800 0857 | morsa | clamp | | 2 | 2 |
| 16 | 712 344362.03 | 1 801 3703 | fusibile | fuse | EM-E602 | 2 | 2 |
| 17 | 75.2012.02 | 1 800 0876 | parete | wall | | 1 | 1 |
| 18 | 75.2010.10 | | morsa | clamp | | 8 | 8 |
| 19 | 75.2011.02 | 1 800 0837 | morsa | clamp | | 2 | 2 |
| 20 | 75.2007 | | flangia | flange | | 1 | 1 |
| 21 | 712 044961.15 | | beccuccio | socket | | 1 | 1 |
| 22 | 1 103 1631 | | collegamento | fitting | PG21 | 1 | 1 |
| 23 | 1 115 1392 | | collegamento | fitting | PG21 | 2 | 2 |
| 24 | 1 115 1298 | | dado | nut | PG21 | 2 | 2 |
| 25 | 75.2010.12 | | parete | wall | | 2 | 2 |
| 26 | 1 115 1297 | | dado | nut | | 1 | 1 |
| 27 | 1 103 1605 | | beccuccio | socket | DG21 | 2 | 2 |
| 28 | 72.0593.04 | | beccuccio | socket | DG16 | 1 | 1 |
| 29 | 712 044120.05 | 1 101 8576 | dado | nut | M5 | 4 | 4 |

unità
riconoscimento pentola unit
pan sensor

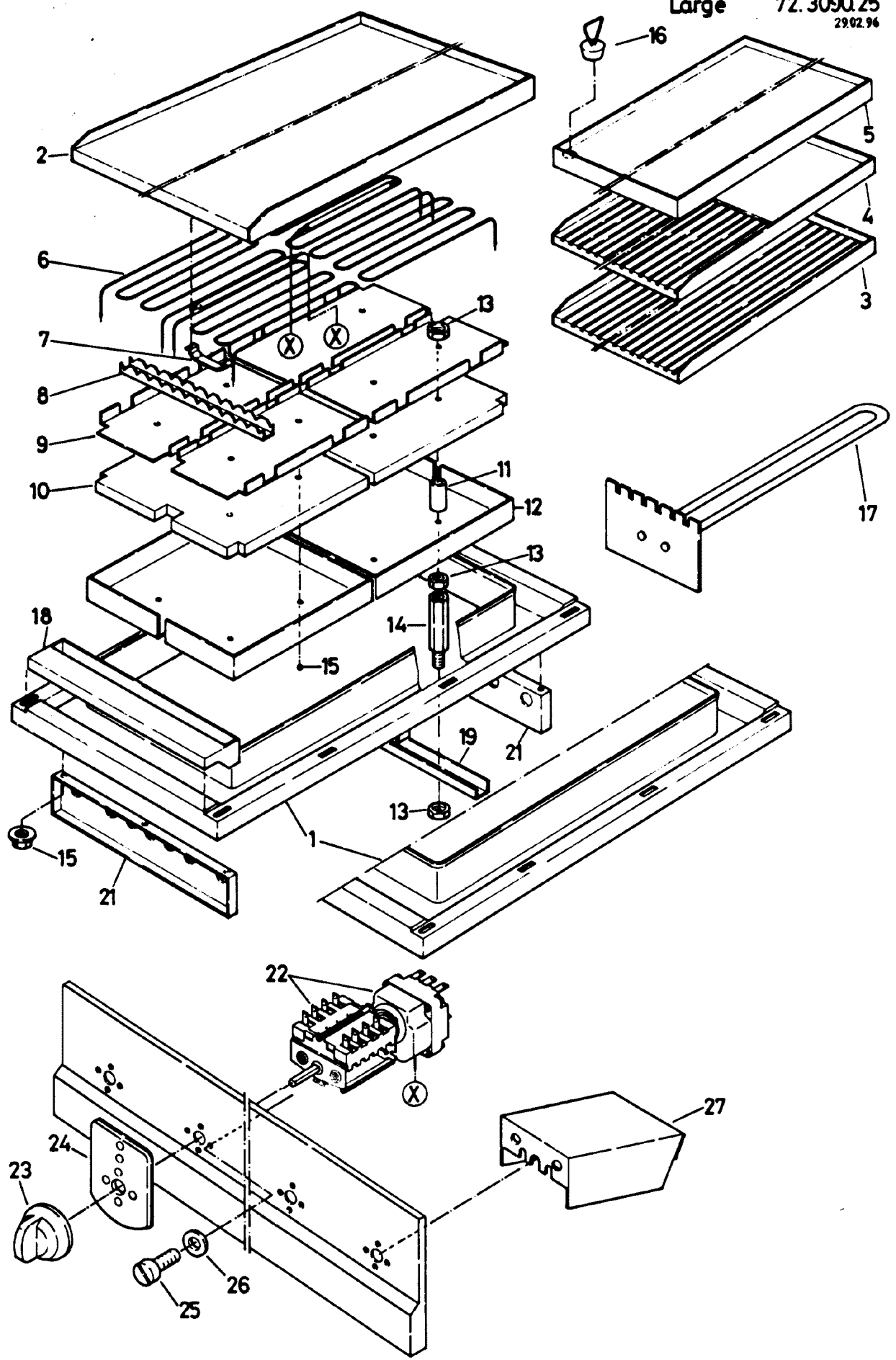
Compact 72.3780.21
Large 72.3090.21
2/2
15.3.96

| Pos. | Produkt Nr. | Service Nr. | designazione | designation | | 148/159 | 248/259 |
|------|-------------|-------------|-----------------|-------------|----|---------|---------|
| 30 | 1 701 3016 | | dado | nut | M6 | 2 | 2 |
| 31 | 1 701 5007 | | anello di molla | spring ring | M6 | 1 | 1 |
| 32 | 1 701 4003 | | rondella | disk | M6 | 1 | 1 |
| 33 | 72.1963.01 | | conduttura | conduit | | | 1 |
| | 72.1963.02 | | conduttura | conduit | | 1 | |
| 34 | 72.1721.03 | | conduttura | conduit | | 1 | 1 |
| 35 | 72.2899 | | guida | guide | | 1 | |
| | 72.2898 | | guida | guide | | | 1 |



| | | unità | unit | Compact 72.3780.21a | | |
|------|----------------|---------------------------|----------------|---------------------|------------|---------|
| | | riconoscimento pentola | pan sensor | Large 72.3090.21a | | |
| | | | | 1/1 | | |
| | | | | 1.8.97 | | |
| Pos. | Produkt Nr. | Service Nr. | designazione | designation | 148/159 | 248/259 |
| 1 | 72.4591 | | cassetto | drawer | 1 | 1 |
| 2 | 72.1846 | 1802 5445 | print | print | 1 | 2 |
| 3 | 75.5000.04 | | sostegno | support | 4 | 8 |
| 7 | 70.1371 | 1802 5441 | trasformatore | transformer | 1 | 1 |
| 8 | 72.1758 | | lamiera | sheet | 1 | 1 |
| 10 | 75.2011.03 | | morsa | clamp | SL 16/35 | 1 |
| 11 | 75.2010.31 | | morsa | clamp | PK6-10PA | 1 |
| 12 | 75.2010.30 | | morsa | clamp | PK6-10PA | 5 |
| 13 | 75.2010.23 | | parete | wall | TW2,5-10PA | 2 |
| 14 | 75.2010.22 | | parete | wall | AP2,5-10PA | 1 |
| 15 | 75.2012.01 | 1 802 5573 | morsa | terminal | | 2 |
| 16 | 712 344 362.03 | 1801 3703 | fusibile | fuse | 5x20 | 2 |
| 17 | 75.2012.02 | | parete | wall | AP/STK1/PA | 2 |
| 18 | 75.2010.10 | | morsa | clamp | PKD4PA | 4 |
| 19 | 75.2010.12 | | parete | wall | AP4PA | 1 |
| 20 | 75.2011.02 | | morsa | clamp | SL10/35 | 1 |
| 21 | 75.2010.34 | | congiungimento | connection | PK6-10PA | 2 |
| 22 | 72.1721.03 | | cavo | cable | 400-415V | 1 |
| 23 | 1115 1391 | 1101 9008 | brida di cavo | cable clamp | 4,8x200 | 3 |
| 25 | 72.2899 | | guida | guide | | 1 |
| | 72.2898 | | guida | guide | | 1 |

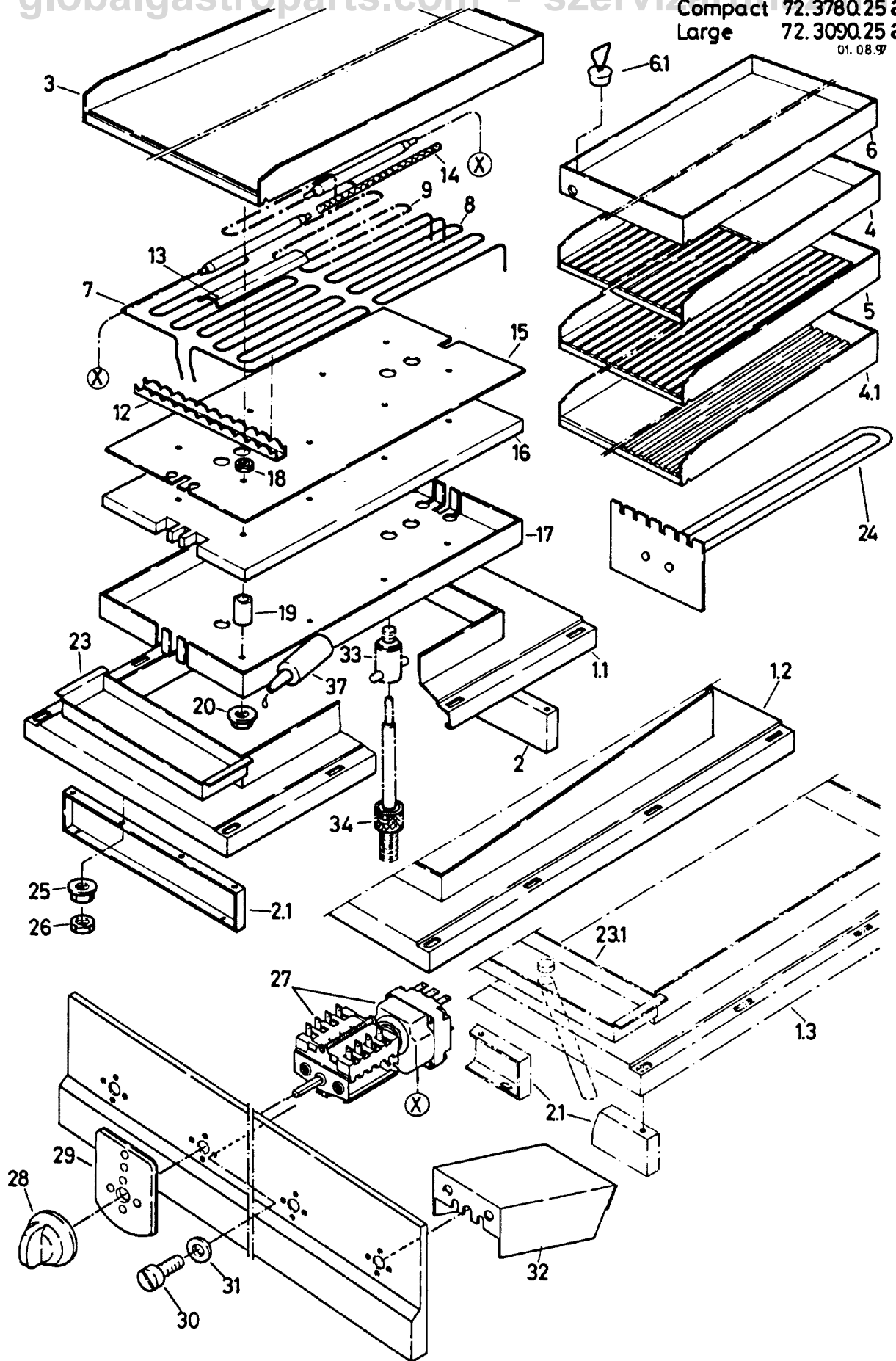
Compact 72.3780.25
Large 72.3090.25
2902.96



| | | Baugruppe | unité | unità | unit | Large 72.3090.25 | | |
|------|----------------|-------------|---------------------|----------------------|------------------------|-----------------------|-----|-----|
| | | Bratplatten | plaques à rôtir | placce per arrostire | fry-tops | 1/2 | | |
| | | | | | | 15.3.96 | | |
| Pos. | Produkt Nr. | Service Nr. | Bezeichnung | désignation | designazione | designation | 159 | 259 |
| 1 | 705 810707 | | Abdeckung | couvercle | copertura | cover | 1 | |
| | 705 810708 | | Abdeckung | couvercle | copertura | cover | 1 | |
| | 705 810706 | | Abdeckung | couvercle | copertura | cover | 1 | |
| | 72.0680.01 | | Abdeckung | couvercle | copertura | cover | | 1 |
| | 72.0680.02 | | Abdeckung | couvercle | copertura | cover | | 1 |
| 2 | 705 820 365.01 | | Platten roh | grillade brut | placca greggia | raw plate | 1 | |
| | 72.0676.02 | | Griddleplatte | grillade lisse | placca liscia | griddle plate | 1 | |
| 3 | 705 820 363.01 | | Grillplatte | plaque grill | piastra griglia | grill plate | 1 | |
| | 72.0676.01 | | Grillplatte | plaque grill | piastra griglia | grill plate | | 1 |
| 4 | 705 820 366.01 | | Grill/Griddleplatt. | plaque grill/lisse | piastra griglia/liscia | grill/griddle plate | 1 | |
| | 72.0676.03 | | Grill/Griddleplatt. | plaque grill/lisse | piastra griglia/liscia | grill/griddle plate | | 1 |
| 5 | 705 820 364.01 | | Bratplatte | plaque rôtir | piastra arrostire | fry-top | 1 | |
| 2cr | 705 820 365.02 | | Platte verchromt | grillade chromée | placca cromata | plate chromium-plated | 1 | |
| | 72.0676.05 | | Griddleplatte | grillade lisse | placca liscia | griddle plate | | 1 |
| 3cr | 705 820 363.02 | | Grillplatte | plaque grill | piastra griglia | grill plate | 1 | |
| | 72.0676.04 | | Grillplatte | plaque grill | piastra griglia | grill plate | | 1 |
| 4cr | 705 820 366.02 | | Grill/Griddleplatt. | plaque grill/lisse | piastra griglia/liscia | grill/griddle plate | 1 | |
| | 72.0676.06 | | Grill/Griddleplatt. | plaque grill/lisse | piastra griglia/liscia | grill/griddle plate | | 1 |
| 5cr | 705 820 364.02 | | Bratplatte | plaque rôtir | piastra arrostire | fry-top | 1 | |

Large 72.3090.25
2/2
15.3.96

| Pos. | Produkt Nr. | Service Nr. | Bezeichnung | désignation | designazione | designation | | 159 | 259 | Intr. |
|------|----------------|-------------|--------------------------|--------------------------|-------------------------------|------------------|------------|-----|-----|-------|
| | | | Baugruppe Bratplatten | unité plaques à rôtir | unità placce per arrostire | unit fry-tops | | | | |
| 6 | 705 030 323.03 | 1801 1703 | Heizung | chauffage | riscaldamento | heating | 2kW/400V | 4 | 8 | |
| | 705 030 323.01 | | Heizung | chauffage | riscaldamento | heating | 2kW/440V | 4 | 8 | |
| | 705 030 323.02 | | Heizung | chauffage | riscaldamento | heating | 2kW/415V | 4 | 8 | |
| | 705 030 323.04 | | Heizung | chauffage | riscaldamento | heating | 2kW/230V | 4 | 8 | |
| | 705 030 323.05 | | Heizung | chauffage | riscaldamento | heating | 2kW/200V | 4 | 8 | |
| 7 | 72.1843 | | Halter | fixation | sostegno | support | | 2 | 4 | |
| 8 | 72.1790 | | Halter | fixation | sostegno | support | | 4 | 8 | |
| 9 | 72.0538 | | Blech | tôle | lamiera | sheet | | 2 | 4 | |
| 10 | 705 020 424 | | Isolation | isolation | isolazione | insulation | | 2 | 4 | |
| 11 | 72.0573 | | Hülse | douille | guscio | sleeve | | 8 | 16 | |
| 12 | 72.0541 | | Blech | tôle | lamiera | sheet | | 2 | 4 | |
| 13 | 1701 3016 | | Mutter | écrou | dado | nut | M6 | 10 | 20 | |
| 14 | 71.2096.05 | | Bolzen | boulon | bolzone | bolt | M6 | 2 | 4 | |
| 15 | 712 044120.05 | 1101 8576 | Mutter | écrou | dado | nut | M5 | 12 | 24 | |
| 16 | 705 840 343 | | Stopfen | bouchon | tappo | plug | | 1 | 1 | |
| 17 | 72.0640 | 1900 1412 | Schaber | grattoir | raschietto | scraper | | 1 | 1 | |
| 18 | 705 020 419 | 1900 9222 | Schale | récipient | bacinella | bowl | | 1 | | |
| | 72.0683 | 1900 9228 | Schale | récipient | bacinella | bowl | | | 1 | |
| 19 | 72.0679 | | Bügel | étrier | archetto | clamp | | 1 | 2 | |
| 21 | 705 030 174 | | Stütze | appui | sostegno | stud | | 1 | | |
| | | | Stütze | appui | sostegno | stud | | | 1 | |
| 22 | 712 844 007 | 1801 5428 | Regler | régulateur | regolatore | regulator | | 2 | 4 | |
| 23 | 72.2258.01 | 1901 6164 | Griff | poignée | manetta | knob | | 2 | 4 | |
| 24 | 72.2213 | 1900 6954 | Platte vorne | plaque devant | piastra davanti | plate front | | 1 | 2 | |
| | 72.6390 | | Platte vorne | plaque devant | piastra davanti | plate front | Electrolux | 1 | 2 | 09.00 |
| | 72.2214 | 1900 6955 | Platte hinten | plaque derrière | piastra dietro | plate back | | 1 | 2 | |
| | 72.6391 | | Platte hinten | plaque derrière | piastra dietro | plate back | Electrolux | 1 | 2 | 09.00 |
| 25 | 1701 2019 | | Schraube | vis | vite | screw | M4x8 | 4 | 8 | |
| 26 | 1701 5002 | | Federring | anneau de ressort | anello di molla | spring ring | M4 | 4 | 8 | |
| 27 | 72.2438 | | Blech | tôle | lamiera | sheet | | 2 | 4 | |



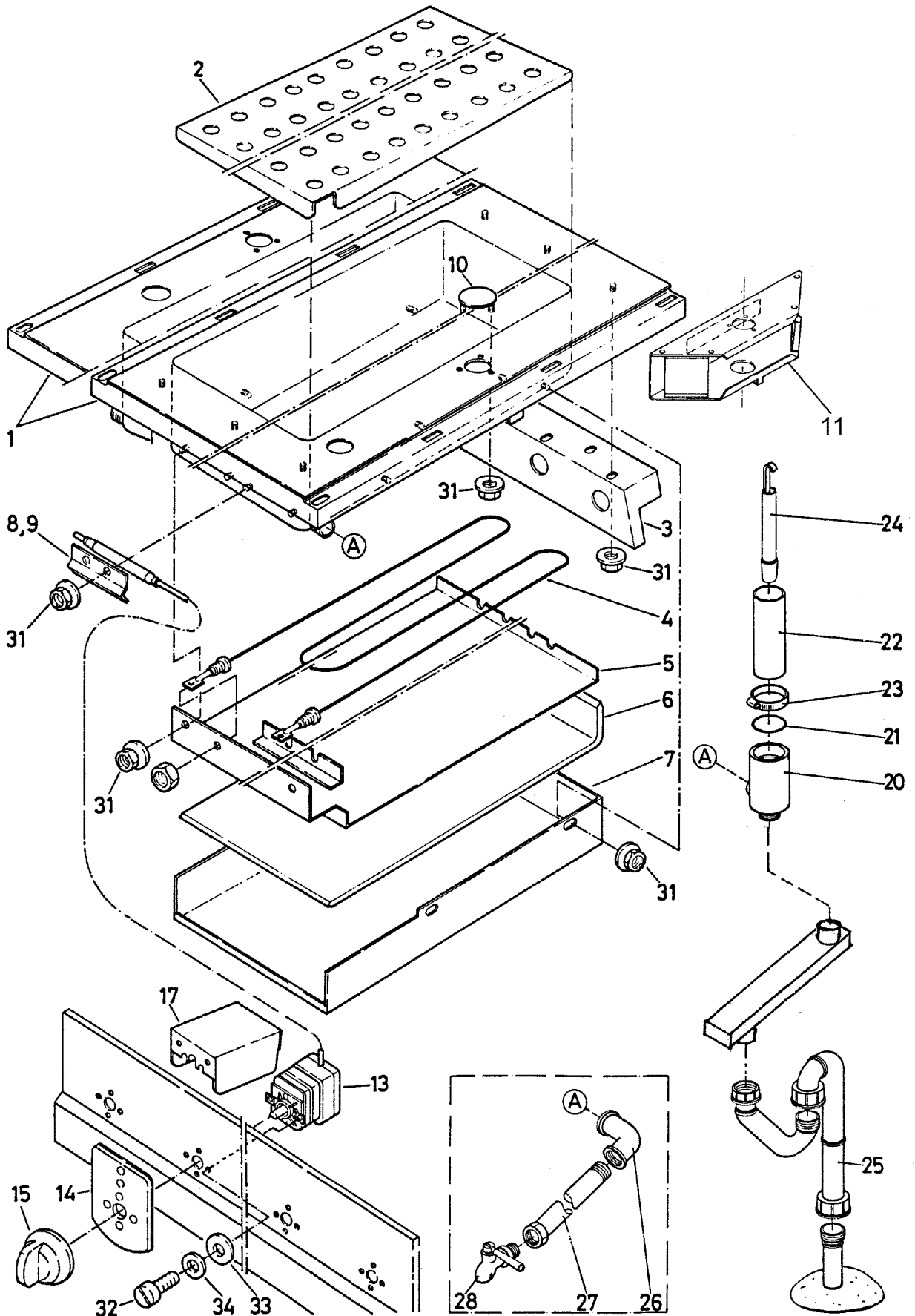
Compact 72.3780.25a
Large 72.3090.25a
1/3
1.8.97

| Pos. | Produkt Nr. | Service Nr. | unità placca per arrostire | unit fry-top | | 158 | 159 | 259 | 259Marine |
|------|---------------|-------------|-------------------------------|-----------------------|------------|-----|-----|-----|-----------|
| 1.1 | 72.3988 | | copertura | cover | | 1 | | | |
| | 72.4665 | | copertura | cover | | | 1 | | |
| | 72.3791 | | copertura | cover | | | 1 | | |
| 1.2 | 72.4667.01 | | copertura | cover | | | | 1 | |
| | 72.4667.02 | | copertura | cover | | | | | 1 |
| 1.3 | 72.4666.01 | | copertura | cover | | | | 1 | |
| | 72.4666.02 | | copertura | cover | | | | | 1 |
| 2 | 72.3799 | | supporto | support | 2 | 2 | | | |
| | 72.4760 | | supporto | support | | | 2 | 2 | |
| 2.1 | 72.4759 | | supporto | support | | | 2 | 1 | |
| 3 | 72.3986.01 | | placca liscia | griddle plate | 1 | | | | |
| | 72.3986.02 | | placca liscia | griddle plate | 1 | | | | |
| | 72.3862.01 | | placca liscia | griddle plate | | | 1 | | |
| | 72.3862.02 | | placca liscia | griddle plate | | | 1 | | |
| | 72.4656.01 | | placca liscia | griddle plate | | | | 1 | 1 |
| | 72.4656.02 | | placca liscia | griddle plate | | | | 1 | |
| 4 | 72.4335.01 | | griglia / placca liscia | grill / griddle plate | 1 | | | | |
| | 72.4335.02 | | griglia / placca liscia | grill / griddle plate | 1 | | | | |
| | 72.4153.01 | | griglia / placca liscia | grill / griddle plate | | | 1 | | |
| | 72.4153.02 | | griglia / placca liscia | grill / griddle plate | | | 1 | | |
| 4.1 | 72.4657.01 | | griglia / placca liscia | grill / griddle plate | | | | 1 | 1 |
| | 72.4657.02 | | griglia / placca liscia | grill / griddle plate | | | | 1 | |
| 5 | 72.4653.01 | | placca per griglia | grill plate | | | 1 | | |
| | 72.4653.02 | | placca per griglia | grill plate | | | 1 | | |
| | 72.4655.01 | | placca per griglia | grill plate | | | | 1 | 1 |
| | 72.4655.02 | | placca per griglia | grill plate | | | | 1 | |
| 6 | 72.4654.01 | | placca per arrostire | fry-top | | | 1 | | |
| | 72.4654.02 | | placca per arrostire | fry-top | | | 1 | | |
| 6.1 | 705 840343 | | tappo | plug | | | 1 | | |
| 7 | 72.1786.05 | | riscaldamento | heating | 3,2kW/200V | 2 | | | |
| | 72.1786.04 | | riscaldamento | heating | 3,6kW/230V | 2 | | | |
| | 72.1786.03 | 1 801 1718 | riscaldamento | heating | 4,3kW/400V | 2 | | | |
| | 72.1786.02 | | riscaldamento | heating | 4,3kW/415V | 2 | | | |
| | 72.1786.01 | | riscaldamento | heating | 4,3kW/440V | 2 | | | |
| 8 | 705 030323.05 | | riscaldamento | heating | 2kW/200V | | 4 | 8 | 6 |
| | 705 030323.04 | | riscaldamento | heating | 2kW/230V | | 4 | 8 | 6 |

| | | Baugruppe | unité | unità | unit | Compact 72.3780.25a Large 72.3090.25a | | | | |
|------|---------------|-------------|----------------|----------------------|---------------|--|------------|-----|-----|-----------|
| | | Bratplatte | plaque à rôtir | placca per arrostire | fry-top | | | | | |
| | | 01 | eingeölt | | | 2/3 | | | | |
| | | 02 | verchromt | | | 1.8.97 | | | | |
| Pos. | Produkt Nr. | Service Nr. | Bezeichnung | désignation | designazione | designation | 158 | 159 | 259 | 259Marine |
| | 705 030323.03 | 1801 1703 | Heizung | chauffage | riscaldamento | heating | 2kW/400V | 4 | 8 | 6 |
| | 705 030323.02 | | Heizung | chauffage | riscaldamento | heating | 2kW/415V | 4 | 8 | 6 |
| | 705 030323.01 | 1 800 2889 | Heizung | chauffage | riscaldamento | heating | 2kW/440V | 4 | 8 | 6 |
| 9 | 72.4722.05 | | Heizung | chauffage | riscaldamento | heating | 2kW/200V | | | 2 |
| | 72.4722.04 | | Heizung | chauffage | riscaldamento | heating | 2kW/230V | | | 2 |
| | 72.4722.03 | | Heizung | chauffage | riscaldamento | heating | 2,5kW/400V | | | 2 |
| | 72.4722.02 | | Heizung | chauffage | riscaldamento | heating | 2,5kW/415V | | | 2 |
| | 72.4722.01 | | Heizung | chauffage | riscaldamento | heating | 2,5kW/440V | | | 2 |
| 12 | 72.1790 | | Halter | fixation | sostegno | support | | 4 | 4 | |
| | 72.4723 | | Halter | fixation | sostegno | support | | | | 4 |
| 13 | 72.4809 | | Halter | fixation | sostegno | support | 2 | | | |
| | 72.4208 | | Halter | fixation | sostegno | support | | 2 | 4 | 4 |
| 14 | 1 201 1834 | | Schnur | ficelle | filo | string | 0.3m | 1 | | |
| | 1 201 1834 | | Schnur | ficelle | filo | string | 0.32m | | 1 | |
| | 1 201 1834 | | Schnur | ficelle | filo | string | 1.2m | | | 1 |
| 15 | 72.4783 | | Blech | tôle | lamiera | sheet | | 1 | | |
| | 72.4784 | | Blech | tôle | lamiera | sheet | | | 1 | |
| | 72.4724 | | Blech | tôle | lamiera | sheet | | | | 1 |
| 16 | 72.4787 | | Isolation | isolation | isolazione | insulation | | 1 | | |
| | 72.4788 | | Isolation | isolation | isolazione | insulation | | | 1 | |
| | 72.4757 | | Isolation | isolation | isolazione | insulation | | | | 1 |
| 17 | 72.4785 | | Verschalung | revêtement | rivestimento | casing | | 1 | | |
| | 72.4786 | | Verschalung | revêtement | rivestimento | casing | | | 1 | |
| | 72.4725 | | Verschalung | revêtement | rivestimento | casing | | | | 1 |
| 18 | 1 701 3014 | 1 101 8761 | Mutter | écrou | dado | nut | M6x0.5d | 8 | 8 | 16 |
| 19 | 72.0573 | | Hülse | douille | guscio | sleeve | □10/8x20 | 8 | 8 | 16 |
| 20 | 712 044120.06 | 1101 8577 | Mutter | écrou | dado | nut | M6 | 4 | 4 | 4 |
| 21 | 1 201 1586 | | Paste | pâte | pasta | paste | | 10 | 10 | 10 |
| 23 | 72.4782 | | Schale | réipient | bacinella | bowl | | 1 | 1 | |
| | 72.4771 | | Schale | réipient | bacinella | bowl | | | | 1 |
| 23.1 | 72.4721 | | Schale | réipient | bacinella | bowl | | | | 1 |
| 24 | 72.0640 | 1 900 1912 | Schaber | grattoir | raschietto | scraper | | 1 | 1 | 1 |
| 25 | 712 044120.05 | 1101 8576 | Mutter | écrou | dado | nut | M5 | 8 | 8 | 9/10 |

Compact 72.3780.25a
 Large 72.3090.25a
 3/3
 1.8.97

| Pos. | Produkt Nr. | Service Nr. | unità placca per arrostire | designazione | unit fry-top | designation | Introd. | 158 | 159 | 259 | 259Marine |
|------|-------------|-------------|-------------------------------|-----------------|-----------------|------------------|---------|-----|------|------|-----------|
| 26 | 1701 3008 | 1101 8571 | dado | dado | nut | M5 | 8 | 8 | 9/10 | 9/10 | |
| 27 | 712 844 007 | 1801 5428 | regolatore | regolatore | regulator | | 2 | 2 | 4 | 4 | |
| 28 | 72.2258.01 | 1901 6164 | manetta | manetta | knob | | 2 | 2 | 4 | 4 | |
| 29 | 72.2213 | 1900 6954 | piastra davanti | piastra davanti | plate front | | 1 | 1 | 2 | 2 | |
| | 72.6390 | | piastra davanti | piastra davanti | plate front | Electrolux 09.00 | 1 | 1 | 2 | 2 | |
| | 72.2214 | 1900 6955 | piastra dietro | piastra dietro | plate rear | | 1 | 1 | 2 | 2 | |
| | 72.6391 | | piastra dietro | piastra dietro | plate rear | Electrolux 09.00 | 1 | 1 | 2 | 2 | |
| 30 | 1701 2019 | | vite | vite | screw | M4x8 | 4 | 4 | 8 | 8 | |
| 31 | 1701 5002 | | anello di molla | anello di molla | spring ring | M4 | 4 | 4 | 8 | 8 | |
| 32 | 72.2438 | | lamiera | lamiera | sheet | | 2 | 2 | 4 | 4 | |
| 33 | 75.9013.04 | | protezione | protezione | protection | | | | | | 8 |
| 34 | 75.0008.02 | 1802 5415 | sensore | sensore | sensor | | | | | | 8 |
| 37 | 72.3865 | | pasta | pasta | paste | | 1 | 1 | 1 | 1 | |

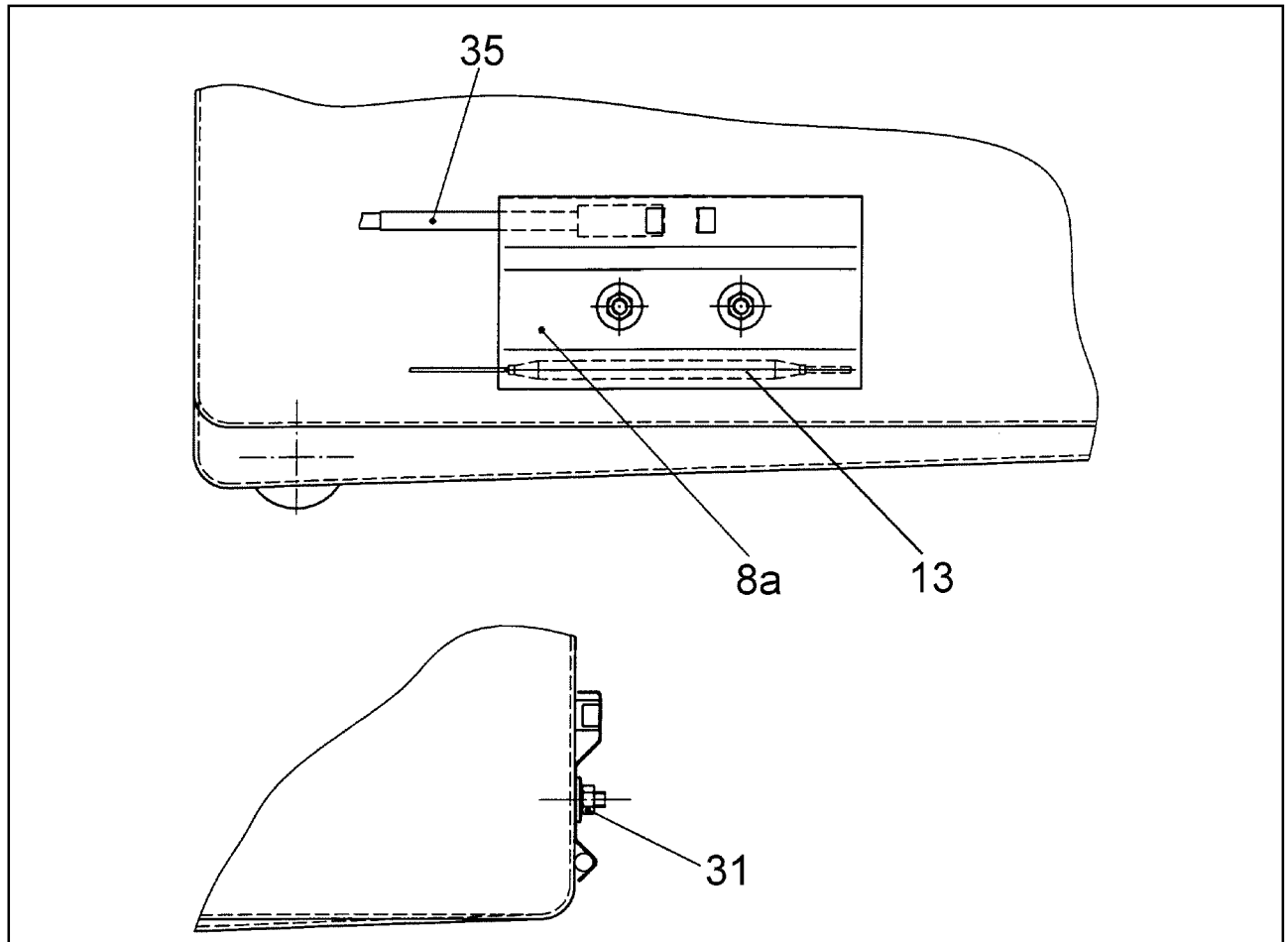


| | | | | | | | Compact 72.3780.30 | | |
|------|---------------|-------------|-------------------------|---------------------|---------------------|--------------------|--------------------|-----|-----|
| | | | | | | | Large 72.3090.30 | | |
| | | | | | | | 15.3.96 | | |
| Pos. | Produkt Nr. | Service Nr. | Bezeichnung | désignation | designazione | designation | 158 | 159 | 249 |
| | | | Baugruppe Bain-Marie | unité bain-marie | unità bagnomaria | unit bain marie | | | |
| | | | | | | | Compact 72.3780.30 | | |
| | | | | | | | Large 72.3090.30 | | |
| | | | | | | | 1 | | |
| | | | | | | | 15.3.96 | | |
| 1 | 72.1116.01 | | Abdeckung | couvercle | copertura | cover | 1 | | |
| | 72.1116.02 | | Abdeckung | couvercle | copertura | cover | 1 | | |
| | 72.0274 | | Abdeckung | couvercle | copertura | cover | | 1 | |
| | 72.0273 | | Abdeckung | couvercle | copertura | cover | | 1 | |
| | 72.0276 | | Abdeckung | couvercle | copertura | cover | | | 1 |
| | 72.0275 | | Abdeckung | couvercle | copertura | cover | | | 1 |
| 2 | 72.1511 | | Blech | tôle | lamiera | sheet | 1 | | |
| | 72.0286 | | Blech rechts | tôle droit | lamiera destra | sheet right | | 1 | |
| | 72.0285 | | Blech links | tôle gauche | lamiera sinistra | sheet left | | 1 | |
| | 72.0288 | | Blech rechts | tôle droit | lamiera destra | sheet right | | | 1 |
| | 72.0287 | | Blech links | tôle gauche | lamiera sinistra | sheet left | | | 1 |
| 3 | 72.0300 | | Abstützung | support | supporto | support | 2 | 2 | |
| | 72.0301 | | Abstützung | support | supporto | support | | | 2 |
| 4 | 72.1094.02 | 1 801 1701 | Heizung | chauffage | riscaldamento | heating | 1.7kW/400V | 1 | |
| | 72.1094.01 | | Heizung | chauffage | riscaldamento | heating | 1.7kW/440V | 1 | |
| | 72.1094.05 | | Heizung | chauffage | riscaldamento | heating | 1.7kW/415V | 1 | |
| | 72.1094.03 | | Heizung | chauffage | riscaldamento | heating | 1.7kW/230V | 1 | |
| | 72.1094.04 | | Heizung | chauffage | riscaldamento | heating | 1.7kW/200V | 1 | |
| | 705 030175.03 | 1 801 1702 | Heizung | chauffage | riscaldamento | heating | 2.4kW/400V | | 1 |
| | 705 030175.01 | | Heizung | chauffage | riscaldamento | heating | 2.4kW/440V | | 1 |
| | 705 030175.02 | | Heizung | chauffage | riscaldamento | heating | 2.4kW/415V | | 1 |
| | 705 030175.04 | | Heizung | chauffage | riscaldamento | heating | 2.4kW/230V | | 1 |
| | 705 030175.05 | | Heizung | chauffage | riscaldamento | heating | 2.4kW/200V | | 1 |
| | 705 030426.03 | 1 801 1700 | Heizung | chauffage | riscaldamento | heating | 1.6kW/400V | | 1 |
| | 705 030426.01 | | Heizung | chauffage | riscaldamento | heating | 1.6kW/440V | | 1 |
| | 705 030426.02 | | Heizung | chauffage | riscaldamento | heating | 1.6kW/415V | | 1 |
| | 705 030426.04 | | Heizung | chauffage | riscaldamento | heating | 1.6kW/230V | | 1 |
| | 705 030426.05 | | Heizung | chauffage | riscaldamento | heating | 1.6kW/200V | | 1 |
| 5 | 72.1370 | | Schale | réipient | bacinella | bowl | 1 | | |
| | 72.0296 | | Schale | réipient | bacinella | bowl | | 1 | |
| | 72.0297 | | Schale | réipient | bacinella | bowl | | | 1 |

| | | unità bagnomaria | unit bain marie | Compact 72.3780.30 Large 72.3090.30 2 15.3.96 | | | | |
|------|----------------|---------------------|-------------------------|--|------------|-----|-----|---------|
| Pos. | Produkt Nr. | Service Nr. | designazione | designation | 158 | 159 | 249 | Introd. |
| 6 | 705 040 139.01 | | isolazione | insulation | | 1 | | |
| | 705 040 139.02 | | isolazione | insulation | 1 | | | |
| | 705 040 373 | | isolazione | insulation | | | 1 | |
| 7 | 72.1373 | | copertura, rivestimento | casing | 1 | | | |
| | 72.0293 | | copertura, rivestimento | casing | | 1 | | |
| | 72.0294 | | copertura, rivestimento | casing | | | 1 | |
| 8 | 72.1096 | | sostegno | support | 1 | | | |
| | 705 030 172 | | sostegno | support | | 1 | 1 | |
| 9 | 72.1278 | | isolazione | insulation | 1 | | | |
| 10 | 72.0619 | | rosetta | rose | | | 1 | |
| 11 | 72.5918 | | mensola | console | 1 | 1 | 1 | 10/99 |
| 13 | 712 344 039 | 1801 5429 | interruttore | interruptor | 1 | 1 | 1 | |
| 14 | 72.2213 | 1900 6954 | piastra davanti | plate front | 1 | 1 | 1 | |
| | 72.6390 | | piastra davanti | plate front | Electrolux | 1 | 1 | 09.00 |
| 15 | 72.2257.03 | 1901 6165 | manetta | knob | 1 | 1 | 1 | |
| 17 | 72.2438 | | lamiera | sheet | | 1 | | |
| 20 | 705 040 134 | | corpo della valvola | valve casing | 1 | 1 | 1 | |
| 21 | 72.0457 | | anello | o-ring | 1 | 1 | 1 | |
| 22 | 705 040 135 | | tubo | tube | 1 | 1 | 1 | |
| 23 | 72.0458.11 | | brida serrante | dipper | 1 | 1 | 1 | |
| 24 | 72.0313 | 1901 3140 | tubo | tube | 1 | 1 | 1 | |
| 25 | 705 820113 | 1900 4604 | scolo | drain | 1 | 1 | 1 | |
| 26 | 1102 2040 | | angolo | angle | 1"-3/4" | 1 | 1 | |
| 27 | 72.1376 | | tubo | tube | 1 | | | |
| | 72.0316 | | tubo | tube | | 1 | 1 | |
| 28 | 712 344 888 | 1901 3054 | rubinetto | tap | 1 | 1 | 1 | |
| 31 | 712 044 120.05 | 1101 8576 | dado | nut | M5 | 12 | 18 | 18 |
| 32 | 1701 2019 | | vite | screw | M4x8 | 2 | 2 | 2 |
| 33 | 1701 3502 | | disco | disk | M4 | 2 | 2 | 2 |
| 34 | 1701 5002 | | anello di molla | spring ring | M4 | 2 | 2 | 2 |
| 35 | 705 820 116 | | tubo | tube | 390mm | 1 | 1 | 1 |
| | 705 820 117 | | tubo | tube | 520mm | 1 | 1 | 1 |
| | 705 820 308 | | tubo | tube | 750mm | 1 | 1 | 1 |

72.3090.30a

06.98



| MARINE ALEX / EMS | | Baugruppe Bain-Marie | unité bain-marie | unità bagnomaria | unit bain marie | Large 72.3090. 30a | |
|-------------------|-------------|-------------------------|---------------------|----------------------|------------------------|--------------------|---------|
| Pos. | Produkt Nr. | Service Nr. | Bezeichnung | désignation | designazione | designation | 159 249 |
| 8a | 72.5486 | | Halter | fixation | sostegno | support | 1 1 |
| 35 | 72.5289 | | Temperaturfühler | sonde de température | sensore di temperatura | temperature sensor | 1 1 |



| | | | | |
|-----------|-------------|-----------|-------------|---------------------|
| Baugruppe | unité | unità | unit | Compact 72.3780.30b |
| Zubehör | accessoires | accessori | accessories | Large 72.3090.30b |
| | | | | 1 |
| | | | | 25.5.00 |

| Pos. | Produkt Nr. | Service Nr. | Bezeichnung | désignation | designazione | designazione | 158 | 159 | 249 | Introd. |
|------|-------------|-------------|-------------|-------------|--------------|--------------|-------|-----|-----|---------|
| 1 | 72.0487.01 | | Halter | fixation | sostegno | support | | 1 | | |
| | 72.0487.02 | | Halter | fixation | sostegno | support | | | | 1 |
| 2 | 72.0661 | | Querstück | traverse | traversa | traverse | | 2 | | 4 |
| 3 | 72.1595 | | Deckel | couvercle | coperchio | lid | GN1/1 | 1 | | |
| | 72.0597.01 | | Deckel | couvercle | coperchio | lid | GN1/2 | | 2 | |
| | 72.0597.02 | | Deckel | couvercle | coperchio | lid | GN1/1 | | 1 | |
| | 72.0597.03 | | Deckel | couvercle | coperchio | lid | | | | 2 |



Large 72.3090.32

unità
batteria erogazione acqua

unit
mixing unit

1/3

10.4.1995

| Pos. | Produkt Nr. | Service Nr. | designazione | designation | | 129 |
|------|-------------|-------------|-------------------------|-------------------|---------|-----|
| 1 | 72.3324 | | telaio | frame | H=800mm | 1 |
| | 72.5121.01 | | fissaggio del suolo | bottom fixation | | 1 |
| | 72.5121.02 | Marine | telaio | frame | H=700mm | 1 |
| | 72.3504 | | fissaggio del suolo | bottom fixation | | 1 |
| | 72.3505 | | telaio p. ponte | frame f. bridge | H=400mm | 1 |
| | 72.5121.01 | | telaio | frame | H=400mm | 1 |
| | 72.5121.02 | Marine | montaggio a muro | wall mounted | | 1 |
| | | | telaio | frame | H=700mm | 1 |
| | | | montaggio a muro | wall mounted | | 1 |
| 2 | 72.3145 | | copertura | filler | | 1 |
| 3 | 72.3154 | | parete posteriore mezzo | rear panel middle | | 1 |
| 4 | 72.3141 | | coperchio di raccordo | connection cover | H=800mm | 1 |
| | 72.3746 | | fissaggio del suolo | bottom fixation | | 1 |
| | | | coperchio di raccordo | connection cover | H=400mm | 1 |
| 5 | 72.2426 | | ponte + muro | bridge + wall | | 2 |
| | 72.4557 | | parete laterale | side panel | H=800mm | 2 |
| | 72.2651 | | fissaggio del suolo | bottom fixation | H=700mm | 2 |
| | 72.2724 | | parete laterale | side panel | H=400mm | 2 |
| | | | montaggio a muro | wall mounted | | 1 |
| | 72.2725 | | sinistra | left | H=400mm | 1 |
| | | | parete laterale | side panel | | 1 |
| | | | montaggio a muro | wall mounted | | 1 |
| | 72.5103 | | destra | right | H=700mm | 1 |
| | | | parete laterale | side panel | | 1 |
| | | | montaggio a muro | wall mounted | | 1 |
| | 72.5156 | | sinistra | left | H=700mm | 1 |
| | | | parete laterale | side panel | | 1 |
| | | | montaggio a muro | wall mounted | | 1 |
| | | | destra | right | | 1 |

Large 72.3090.32

2/3

10.4.1995

unità
batteria erogazione acqua

unit
mixing unit



| Pos. | Produkt Nr. | Service Nr. | designazione | designation | Introduction | 129 |
|------|----------------|-------------|---------------------|-----------------|--------------|-------|
| 6 | 72.3061 | 1900 6952 | bolzone | bolt | M5x14 | 2 |
| 7 | 72.3147 | | copertura superiore | filler upper | | 1 |
| 8 | 72.3171 | 1900 6951 | bolzone | bolt | | 2 |
| 9 | 1701 3008 | 1900 6950 | dado | nut | | 2 |
| 10 | 72.3758 | | parete posteriore | rear panel | H=800mm | 1 |
| | 72.4995 | | fissaggio del suolo | bottom fixation | | |
| | 72.5147 | Marine | parete posteriore | rear panel | H=700mm | 2 |
| | 72.4995 | | fissaggio del suolo | bottom fixation | | |
| | 72.5147 | Marine | parete posteriore | rear panel | H=700mm | 2 |
| | 72.4995 | | fissaggio del suolo | bottom fixation | | |
| | 72.5147 | Marine | parete posteriore | rear panel | H=700mm | 1 |
| | | | montaggio a muro | wall mounted | | |
| | | | parete posteriore | rear panel | H=700mm | 1 |
| | | | montaggio a muro | wall mounted | | |
| 11 | 72.5976.01 | | tubo verticale | standing pipe | | 10/99 |
| 12 | 72.5917 | | tubo | tube | 460mm | 10/99 |
| 13 | 72.5919 | | anello di sostegno | retaining ring | | 10/99 |
| 14 | 712 044 480.14 | | anello | o-ring | | 10/99 |
| 15 | 705 840 150 | | tubo | tube | | 1 |
| 16 | 712 044 120.05 | 1101 8576 | dado | capture nut | M5 | 3 |
| 17 | 72.3400 | | copertura | cover | | 1 |
| 18 | 72.3325 | | copertura | cover | | 1 |
| 19 | 72.3399 | | copertura | cover | | 1 |
| 20 | 72.0318.01 | | tubo | tube | 460mm | 1 |
| 21 | 72.0475 | | sostegno | support | | 1 |
| 22 | 72.0474 | | lamiera | sheet | | 1 |
| 23 | 1701 9003 | | disco | disk | M6 | 2 |
| 24 | 1701 5007 | | anello di molla | spring ring | M6 | 2 |
| 25 | 1701 2572 | | vite | screw | M6x10 | 2 |
| 26 | 1701 2632 | | vite | screw | M4x16 | 3 |
| 27 | 1701 3525 | | disco | disk | M5 | 3 |
| 31 | 72.0450 | | anello | ring | | 1 |
| 32 | 1701 5524 | 1900 6959 | spina con filetto | threaded pin | | 3 |
| 33 | 72.0435 | | rosetta | rose | | 1 |
| 34 | 712 344 893.01 | 1900 6957 | tubo flessibile | hose | 1700 mm | 2 |
| 35 | 1101 3797 | 1900 6958 | guscio | sleeve | | 2 |
| 36 | 1101 2075 | 1900 6961 | raccordo | connection | | 2 |

| Pos. | Produkt Nr. | Service Nr. | designazione | designation | Introduction | 129 |
|------|----------------|-------------|------------------------------------|--|------------------|-----------|
| | | | unità batteria erogazione acqua | unit mixing unit | Large 72.3090.32 | 3/3 |
| | | | | | | 10.4.1995 |
| 37 | 712 344 884.01 | 1900 3024 | batteria erogazione acqua | mixing unit | | 1 |
| 38 | 712 344 884.02 | 1900 3117 | tubo | tube | 300 mm | 1 |
| | 712 344 884.03 | | tubo | tube | 450 mm | |
| | 712 344 884.04 | | tubo | tube | 600 mm | |
| 39 | 019 542 | 1901 6144 | manetta rosso | knob red | | 1 |
| 40 | 019 541 | 1901 6143 | manetta blu | knob blue | | 1 |
| 41 | | 1900 6781 | guarnizione | washer | | 2 |
| 42 | 32.40.12 | 1900 3084 | femmina dell'animella completo | valve core complete | | 2 |
| 43 | | 1 900 6730 | guarnizione | washer | | 2 |
| 50 | 1105 1251 | | antigocce | drip stop | 03/00 | 1 |
| 60 | 712 344 884.05 | | miscelatori a leva completo | mixer unit with lever handle complete | 1999 | 1 |

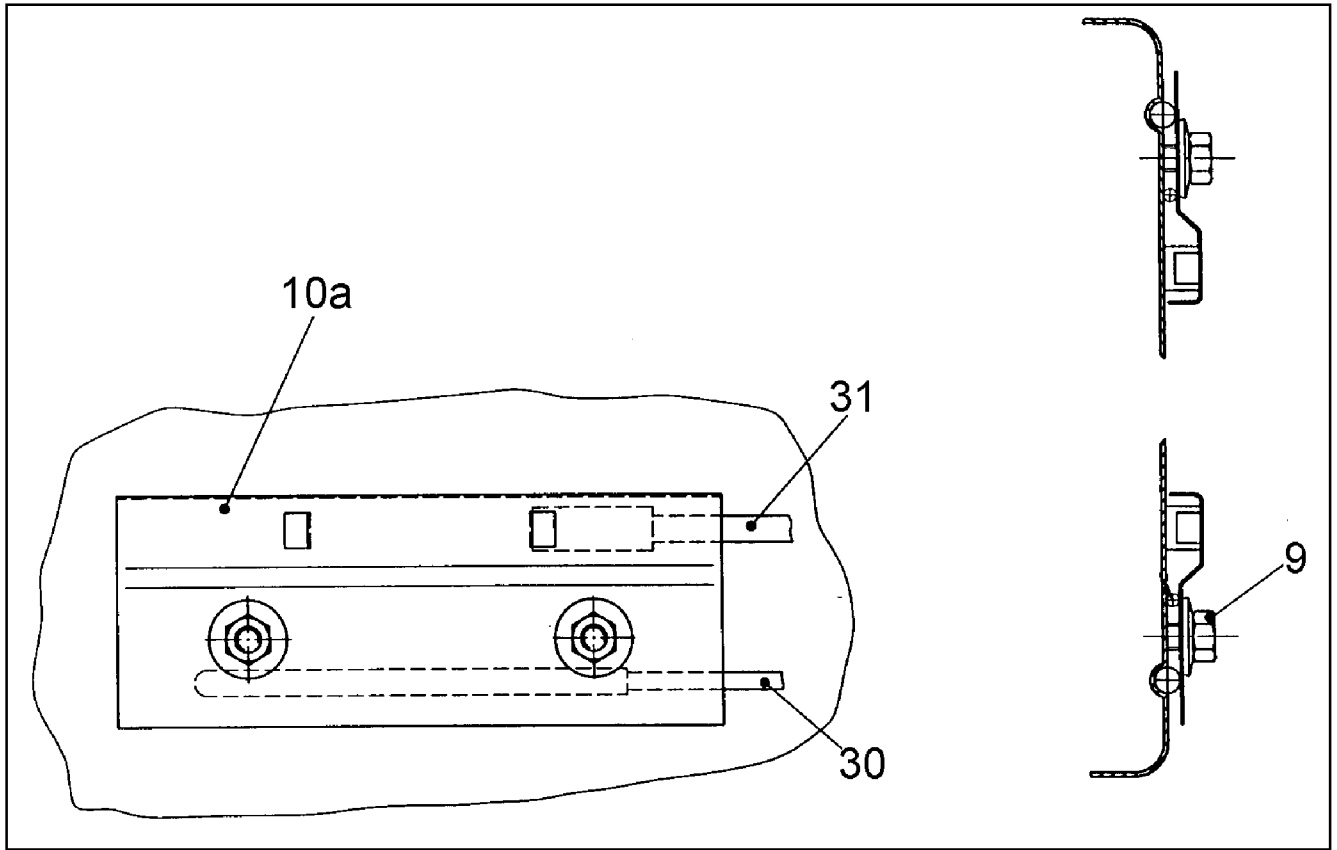
| | | | |
|--|------------|-------------|------------------|
| | unità | unit | Large 72.3090.35 |
| | forno | baking oven | 1 |
| | elettriche | electric | 10.4.95 |

| Pos. | Produkt Nr. | Service Nr. | designazione | designation | Intro. |  | |  | |
|------|----------------|-------------|-----------------|----------------|--------|---|-----|---|-----|
| | | | | | | 259 | 359 | 259 | 359 |
| 1 | 72.0741 | | base/involucro | housing | | | 1 | | |
| 2 | 72.0802 | | base/involucro | housing | | | | | 1 |
| 3 | 719 010 021 | | telaio | frame | | | 1 | | 2 |
| 4 | 72.0746.01 | | isolazione | insulation | | | 1 | | |
| 5 | 72.0807 | | isolazione | insulation | | | | | 1 |
| 6 | 1201 1688 | | nastro adesivo | adhesive strip | | | 1 | | 1 |
| 7 | 72.0744 | | lamiera | fixation | | | 1 | | 1 |
| 8 | GR40186.1 | | vite | screw | | | 3 | | 3 |
| 9 | 712 044 120.06 | 1101 8577 | dado | capture nut | | | 21 | | 37 |
| 10 | 719 040 247 | | sostegno | support | | | 2 | | 2 |
| | 72.6614 | | sostegno | support | 07/01 | | 2 | | 2 |
| 11 | 1701 2509 | | vite | screw | | | 4 | | 4 |
| 12 | 1701 5004 | | anello di molla | spring ring | | | 4 | | 4 |
| 12.1 | 719 040 166 | | disco | disk | | | 4 | | 4 |
| 13 | 72.1797.01 | | riscaldamento | heating | | | 2 | | 2 |
| | 72.1797.02 | | riscaldamento | heating | | | 2 | | 2 |
| | 72.1797.03 | 1800 1816 | riscaldamento | heating | | | 2 | | 2 |
| | 72.1797.04 | | riscaldamento | heating | | | 2 | | 2 |
| | 72.1797.05 | | riscaldamento | heating | | | 2 | | 2 |
| | 72.5054.01 | | riscaldamento | heating | 07/01 | | 2 | | 2 |
| | 72.5054.02 | | riscaldamento | heating | 07/01 | | 2 | | 2 |
| | 72.5054.03 | | riscaldamento | heating | 07/01 | | 2 | | 2 |
| | 72.5054.04 | | riscaldamento | heating | 07/01 | | 2 | | 2 |
| | 72.5054.05 | | riscaldamento | heating | 07/01 | | 2 | | 2 |
| 13a | 72.5282.01 | | cavo, sopra | cable, above | 01/98 | | 1 | | 1 |
| | 72.5282.02 | | cavo, in basso | cable, below | 01/98 | | 1 | | 1 |
| | 72.5266.01 | Marine | cavo, sopra | cable, above | 01/98 | | 1 | | 1 |
| | 72.5266.02 | Marine | cavo, in basso | cable, below | 01/98 | | 1 | | 1 |

| | | | |
|--|------------|-------------|------------------|
| | unità | unit | Large 72.3090.35 |
| | forno | baking oven | 2 |
| | elettriche | electric | 10.4.95 |

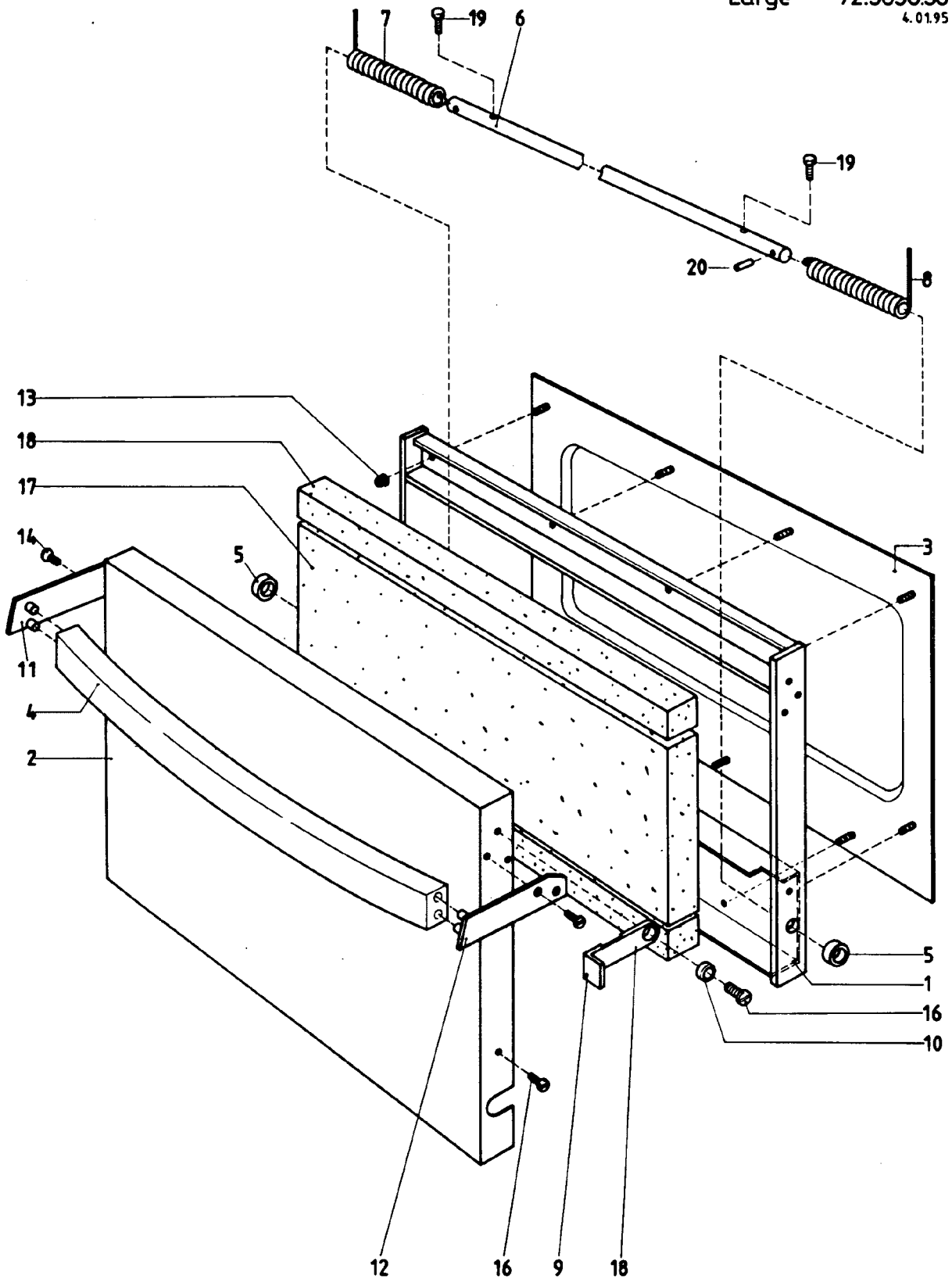
| Pos. | Produkt Nr. | Service Nr. | designazione | designation | Intro. |  | |  | |
|------|----------------|-------------|---------------------------------|---------------------|------------|---|-----|---|-----|
| | | | | | | 259 | 359 | 259 | 359 |
| 14 | 72.1968 | | portatore dietro | girder back | | 4 | | 4 | |
| 15 | 72.1969 | | portatore davanti | girder front | | 2 | | 2 | |
| 16 | 72.0545 | | supporto | support | | 1 | | | |
| 18 | 719 830 077.02 | | placca | plate | | 1 | | | |
| 19 | 719 030 110.01 | | suolo con refrattario | fire clay plate | | 1 | | | |
| 20 | 719 830 077.01 | | placca | plate | | 1 | | | |
| | 719 830 045 | | placca | plate | | | | | 1 |
| 21 | 719 040 244 | 1900 9225 | arresto | stopper | | 2 | | | 2 |
| 22 | 719 830 071 | 1900 9223 | guida di gratella | grid guide | | 1 | | | 1 |
| 23 | 193 425.01 | 8090 0351 | pasticciera | baking sheet | | 1 | | | 1 |
| 24 | 1110 1300 | 8090 0337 | gratella | grid | | 1 | | | 1 |
| 25 | 72.2350 | | cassetta da introdurre completo | insert box complete | MARINE | 1 | | | |
| 28 | 72.6428 | | sensore di temperatura | temperature sensor | ALCE 07/01 | 2 | | | 2 |

72.3090.35a
06.98



| | | | | | |
|--------------------------|-------------------------------------|------------------------------|------------------------------|---------------------------------|---------------------------------|
| MARINE ALEX / EMS | Baugruppe Backofen elektrisch | unité four, electrique | unità forno elettriche | unit baking oven electric | Large 72.3090.35a 2 06.98 |
|--------------------------|-------------------------------------|------------------------------|------------------------------|---------------------------------|---------------------------------|

| Pos. | Produkt Nr. | Service Nr. | Bezeichnung | désignation | designazione | designation | 259 |
|------|-------------|-------------|------------------|----------------------|------------------------|--------------------|-----|
| 10a | 72.5386 | | Halter | fixation | sostegno | support | 2 |
| 30 | 72.5290 | | Temperaturfühler | sonde de température | seniore di temperatura | temperature sensor | 2 |
| 31 | 72.5289 | | Temperaturfühler | sonde de température | seniore di temperatura | temperature sensor | 2 |



| Pos. | Produkt Nr. | Service Nr. | Bezeichnung | désignation | designazione | designation | |
|------|----------------|-------------|-------------------|----------------------|--------------------|------------------|--------------------|
| | | | Baugruppe | unité | unità | unit | Compact 72.3780.36 |
| | | | Backofentüre | porte du four | porta di forno | baking oven door | Large 72.3090.36 |
| | | | | | | | 1 |
| | | | | | | | 10.4.95 |
| 1 | 719 830 079 | | Türfüllung | remplissage de porte | empimento di porta | door filling | 1 |
| 2 | 719 010 030 | | Türblech aussen | tôle de porte | lamiera di porta | door panel | 1 |
| 3 | 719 810 080 | | Türblech innen | tôle de porte | lamiera di porta | door panel | 1 |
| 4 | 72.2195 | 1900 6115 | Stange | tige | asta | rod | 1 |
| 5 | 719 040 197 | | Ring | anneau, bague | anello | ring | 2 |
| 6 | 719 040 200 | | Welle | axe | albero | shaft | 6 |
| 7 | 719 040 138 | 1900 1766 | Feder links | ressort gauche | molla sinistra | spring left | 1 |
| 8 | 719 040 139 | 1900 1767 | Feder rechts | ressort droite | molla destra | spring right | 1 |
| 9 | 719 040 262 | | Riegel | verrou | chiavistello | bar | 1 |
| 10 | 719 040 263 | 1900 0381 | Ring | anneau, bague | anello | ring | 1 |
| 11 | 72.2824 | | Seitenteil links | fixation, gauche | sostegno, sinistra | support, left | 1 |
| 12 | 72.2823 | | Seitenteil rechts | fixation, droite | sostegno, destra | support, right | 1 |
| 13 | 712 044 120.06 | 1101 8577 | Kepsmutter | écrou | dado | capture nut | 16 |
| 14 | 1106 1122 | | Schraube | vis | vite | screw | 4 |
| 16 | 10 3179 | | Schraube | vis | vite | screw | 3 |
| 17 | 719 030 159 | | Isolation | isolation | isolazione | insulation | 1 |
| 18 | 719 030 154 | | Isolation | isolation | isolazione | insulation | 2 |
| 19 | 1701 2602 | | Schraube | vis | vite | screw | 2 |
| 20 | 1701 1098 | | Stift | broche | spina | pivot | 1 |



| Pos. | Produkt Nr. | Service Nr. | Bezeichnung | désignation | designazione | designation | Introd. |
|------|-------------|-------------|------------------|------------------|--------------------|------------------|--|
| | | | Baugruppe | unité | unità | unit | Compact 72.3780.36a Large 72.3090.36a |
| | | | Backofentüre | porte du four | porta di forno | baking oven door | 1 11.99 |
| 1 | 72.5897 | | Türblech aussen | tôle de porte | lamiera di porta | door panel | 1 |
| 2 | 72.5895 | | Rahmen | cadre | telaio | frame | 1 |
| 3 | 72.5898 | | Türblech innen | tôle de porte | lamiera di porta | door panel | 1 |
| 4 | 72.5896 | | Isolation | isolation | isolazione | insulation | 1 |
| 5 | 72.5899 | | Welle | axe | albero | shaft | 1 |
| 6 | 72.5891 | | Feder | ressort | molla | spring | 1 |
| 7 | 72.5958 | | Riegel | verrou | chiavistello | bar | 1 |
| 8 | 72.5959 | | Hülse | douille | manicotto | sleeve | 1 |
| 9 | 103179 | | Schraube | vis | vite | screw | M5x12 4 |
| 10 | 72.5970 | | Griffstange | tige de poignée | asta della manetta | handle rod | 1 |
| 11 | 1701 2567 | | Schraube | vis | vite | screw | M5x20 2 |
| 12 | 1101 8123 | | Schraube | vis | vite | screw | M5x12 1 |
| 13 | 1701 2602 | | Schraube | vis | vite | screw | M6x20 1 |
| 20 | 1701 1098 | | Stift | broche | spina | pivot | 1 |
| 1-13 | 72.5900 | | Türe komplett | porte complet | porta completo | door complete | |
| 1-13 | 719 810 063 | | Türe komplett | porte complet | porta completo | door complete | MARINE, H=413mm |



unità
forno installazione

unit
baking oven installation

Large 72.3090.37

1/1

10.4.95



259

259

| Pos. | Produkt Nr. | Service Nr. | designazione | designation | | 259 | 259 |
|------|----------------|-------------|------------------------|-----------------|-------|-----|-----|
| 27 | (*) 72.3090.35 | | forno | baking oven | | 1 | 1 |
| 28 | 72.0546 | | sostegno | support | | 1 | |
| 29 | 1 701 5007 | | anello di molla | spring ring | | 4 | 4 |
| 30 | 1 701 2969 | | vite | screw | | 4 | 4 |
| 31 | 1 701 7502 | | vite | screw | | 3 | 6 |
| 35 | 72.2578 | | copertura sinistra | filler left | 171 | | 1 |
| | 72.2047 | | copertura sinistra | filler left | 251 | 1 | 1 |
| 36 | 72.2046 | | copertura destra | filler right | 251 | | 1 |
| 37 | (*) 72.3090.38 | | pannello di comando | control panel | | 1 | 1 |
| 38 | 72.2414 | | palo d'angolo sinistra | edge pole left | | 1 | |
| 39 | 72.2415 | | palo d'angolo destra | edge pole right | | | 1 |
| 40 | 10 3179 | | vite | screw | M5x12 | 6 | 12 |

MARINE

| | | | | | | | |
|----|---------|--|--------|-------|--|---|--|
| 41 | 72.2350 | | telaio | frame | | 1 | |
|----|---------|--|--------|-------|--|---|--|

(*) vedere see

Compact 72.3780.39
Large 72.3090.39
24.12.94



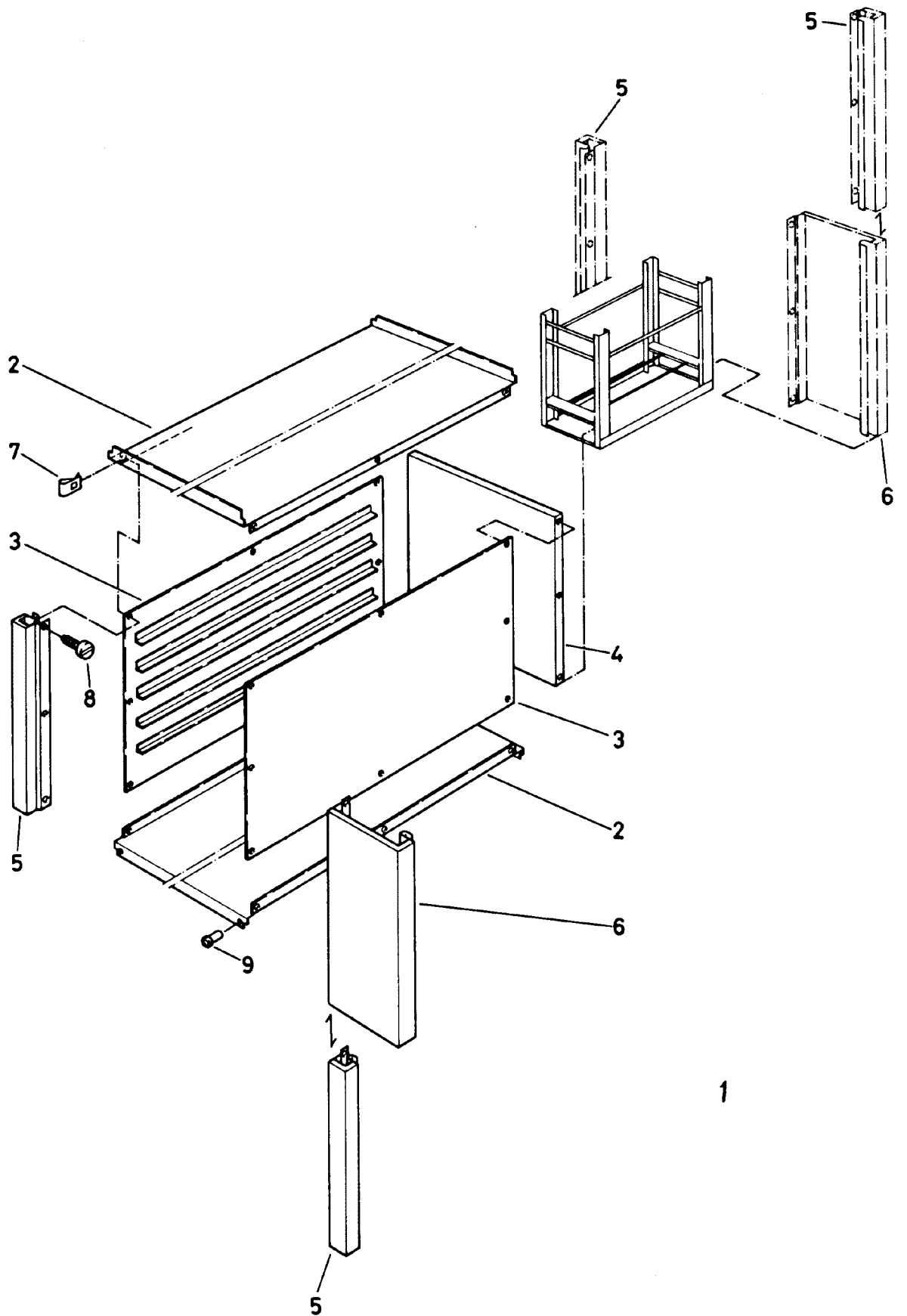
Compact 72.3780.39

Large 72.3090.39

1/1

10.4.1995

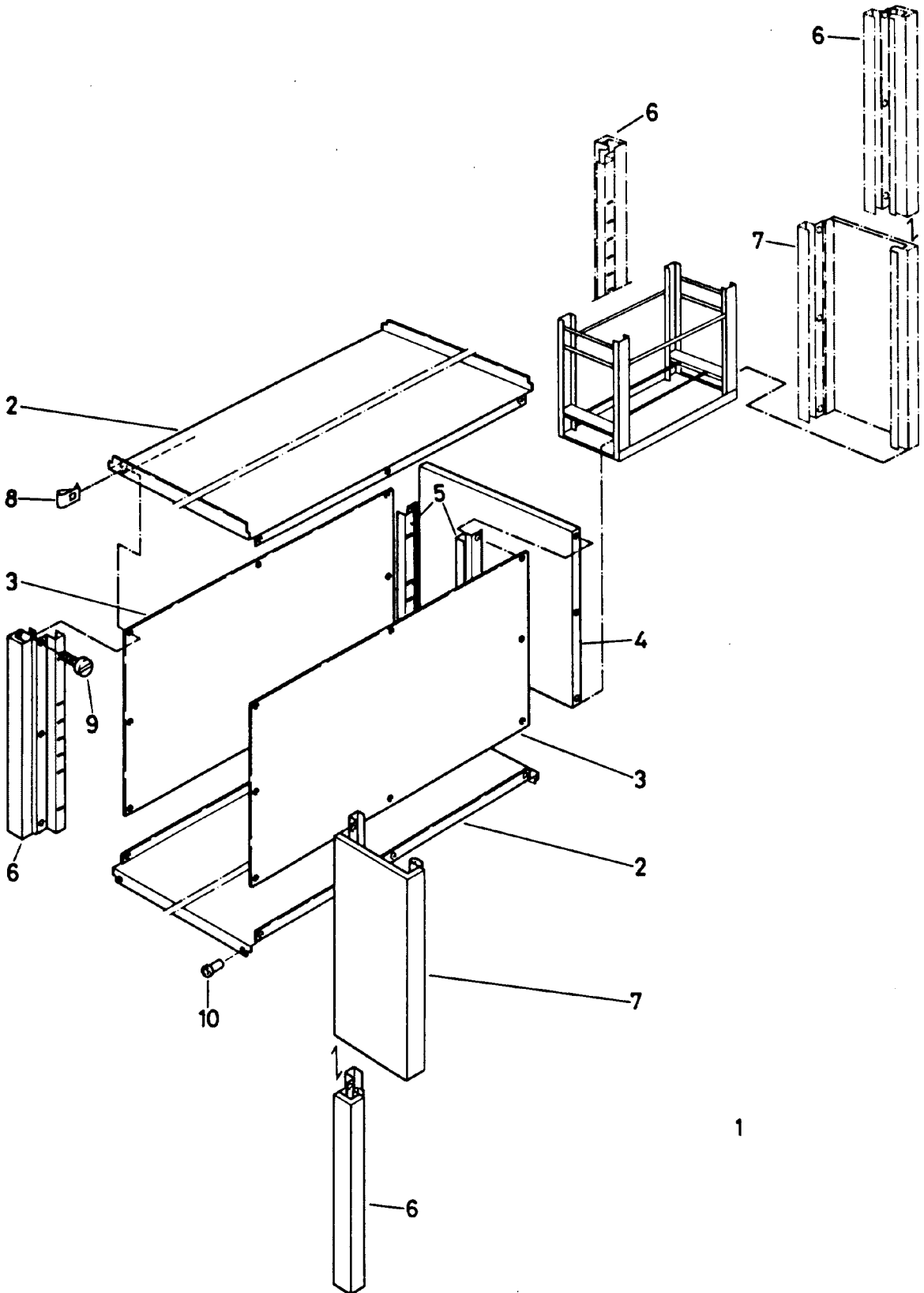
| Pos. | Produkt Nr. | Service Nr. | unità pannello di comando forno designazione | unit control panel baking oven designation | 248 | 258 | 259 | 359 | Intr. |
|------|----------------|-------------|---|---|-----|-----|-----|-----|-------|
| 1 | 72.2044 | | pannello di comando | control panel | 1 | 1 | 1 | | |
| 2 | 75.6507 | | lamiera | foil | 1 | 1 | 1 | | |
| | 72.6367 | | lamiera | foil Electrolux | 1 | 1 | 1 | | 09.00 |
| | 72.6508 | | lamiera | foil | | | | 1 | |
| | 72.6368 | | lamiera | foil Electrolux | | | | 1 | 09.00 |
| 3 | 712 844 013 | 1801 5456 | regolatore | regulator | 2 | 2 | 2 | | |
| 3a | 72.6355.02 | | regolatore ALCE | regulator ALCE L=2,0m | 2 | 2 | 2 | | 07/01 |
| 4 | 72.2259.02 | 1900 6116 | manetta | knob | 2 | 2 | 2 | | |
| | 72.5057 | | manetta | knob ALCE | 2 | 2 | 2 | | 07/01 |
| 5 | 712 344 728 | 1901 6029 | molla | spring | 2 | 2 | 2 | | |
| 6 | 1701 1006 | | vite | screw M4x10 | 4 | 4 | 4 | | |
| 7 | 1201 1865.01 | | lampada di comando | control lamp 200/230V | 2 | 2 | 2 | | |
| | 1201 1865.02 | 1800 2876 | lampada di comando | control lamp 400-440V | 2 | 2 | 2 | | |
| | 72.5938.01 | | lampada di comando | control lamp 12V ALCE | 2 | 2 | 2 | | 07/01 |
| | 72.5938.06 | | portalampane verde | socket green 12V ALCE | 2 | 2 | 2 | | 07/01 |
| 8 | 72.2439 | | sostegno di lampada | lamp support | 2 | 2 | 2 | | |
| | 72.5066 | | sostegno di lampada | lamp support | 2 | 2 | 2 | | 07/01 |
| 9 | 72.3127 | | copertura | cover | 2 | 2 | 2 | | |
| | 72.6606 | | copertura | cover | 2 | 2 | 2 | | 07/01 |
| 10 | 712 044 120.05 | 1101 8576 | dado | capture nut | 6 | 6 | 6 | | |



| | | | | | |
|--|--------------------------|---------------------------------------|------------------------|--------------------------|--------------------------------------|
| | Baugruppe Abstellraum | unité compartiment de rangement | unità spazio aperto | unit open compartment | Large 72.3090.65 1/1 10.4.1995 |
|--|--------------------------|---------------------------------------|------------------------|--------------------------|--------------------------------------|

| Pos. | Produkt Nr. | Service Nr. | Bezeichnung | désignation | designazione | designation |  |  |
|------|-------------|-------------|-----------------------|-------------------------------------|----------------------|-----------------------|---|---|
| | | | | | | | 159 | 159 |
| 1 | 72.2670 | | Abstellraum kompl. | compartiment de rangement compl. | spazio aperto compl. | open compartment cpl. | 1 | |
| | 72.6102.01 | HY/BR | Abstellraum kompl. | compartiment de rangement compl. | spazio aperto compl. | open compartment cpl. | 1 | |
| | 72.6102.02 | HY/BL | Abstellraum kompl. | compartiment de rangement compl. | spazio aperto compl. | open compartment cpl. | 1 | |
| | 72.6160.01 | HY/BR/FL | Abstellraum kompl. | compartiment de rangement compl. | spazio aperto compl. | open compartment cpl. | 1 | |
| | 72.6160.02 | HY/BL/FL | Abstellraum kompl. | compartiment de rangement compl. | spazio aperto compl. | open compartment cpl. | 1 | |
| | 72.2852 | | Abstellraum kompl. | compartiment de rangement compl. | spazio aperto compl. | open compartment cpl. | | 1 |
| | 72.6101 | HY | Abstellraum kompl. | compartiment de rangement compl. | spazio aperto compl. | open compartment cpl. | | 1 |
| | 72.6159 | HY/FL | Abstellraum kompl. | compartiment de rangement compl. | spazio aperto compl. | open compartment cpl. | | 1 |
| 2 | 705 020105 | | Deckel Boden | couvercle sol | coperchio suolo | lid base | 2 | 2 |
| 3 | 705 810112 | | Seitenwand | paroi latérale | parete laterale | side panel | 2 | 2 |
| 4 | 705 020107 | | Rückwand | paroi arrière | parete posteriore | rear panel | 1 | |
| 5 | 72.2657 | | Eckpfosten | jambage d'angle | palo d'angolo | edge pole | 1 | 2 |
| 6 | 72.2658 | | Blende | bandeau | copertura | filler | 1 | 2 |
| 7 | 1 701 7538 | | Springmutter | écrou savonnette | dado puntellata | snap nut | 16 | 16 |
| 8 | 1 701 7541 | | Schraube | vis | vite | screw | 16 | 16 |
| 9 | 1 701 6515 | | Niete | rivet | rivetta | rivet | 4 | 4 |

| | Erklärung | explication | spiegazione | explanation |
|----|------------------|------------------------|-----------------------|--------------------|
| HY | Hygienemodell | modèle hygiénique | modello igienico | hygienic model |
| HS | Hauptschalter | interrupteur principal | interruttore generale | main interruptor |
| BR | Blende rechts | bandeau droite | copertura destra | filler right |
| BL | Blende links | bandeau gauche | copertura sinistra | filler left |
| FL | mit Flügeltüre | avec porte à battant | con porta a battenti | with wing door |



unità
spazio aperto unit
open compartment

Large 72.3090.70

1

10.4.1995



| Pos. | Produkt Nr. | Service Nr. | designazione | designation | 249 | 259 | 359 | 249 | 259 | 359 |
|------|-------------|-------------|----------------------|-----------------------|-----|-----|-----|-----|-----|-----|
| 1 | 72.3352 | | spazio aperto compl. | open compartment cpl. | 1 | | | | | |
| | 72.6106.01 | HY/BR | spazio aperto compl. | open compartment cpl. | 1 | | | | | |
| | 72.6164.01 | HY/BR/FL | spazio aperto compl. | open compartment cpl. | 1 | | | | | |
| | 72.6106.02 | HY/BL | spazio aperto compl. | open compartment cpl. | 1 | | | | | |
| | 72.6164.02 | HY/BL/FL | spazio aperto compl. | open compartment cpl. | 1 | | | | | |
| | 72.3353 | | spazio aperto compl. | open compartment cpl. | | | | 1 | | |
| | 72.6105 | HY | spazio aperto compl. | open compartment cpl. | | | | 1 | | |
| | 72.6163 | HY/FL | spazio aperto compl. | open compartment cpl. | | | | 1 | | |
| | 72.2966 | | spazio aperto compl. | open compartment cpl. | | 1 | | | | |
| | 72.6110.01 | HY/BR | spazio aperto compl. | open compartment cpl. | | 1 | | | | |
| | 72.6110.02 | HY/BL | spazio aperto compl. | open compartment cpl. | | 1 | | | | |
| | 72.6168.01 | HY/BR/FL | spazio aperto compl. | open compartment cpl. | | 1 | | | | |
| | 72.6168.02 | HY/BL/FL | spazio aperto compl. | open compartment cpl. | | 1 | | | | |
| | 72.2841 | | spazio aperto compl. | open compartment cpl. | | | | | 1 | |
| | 72.6109 | HY | spazio aperto compl. | open compartment cpl. | | | | | 1 | |
| | 72.6167 | HY/FL | spazio aperto compl. | open compartment cpl. | | | | | 1 | |

| | | |
|------------------------|--------------------------|------------------------------------|
| unità spazio aperto | unit open compartment | Large 72.3090.70 2 10.4.1995 |
|------------------------|--------------------------|------------------------------------|

| Pos. | Produkt Nr. | Service Nr. | designazione | designation |  | | |  | | |
|------|-------------|-------------|-------------------------|-----------------------|---|-----|-----|---|-----|-----|
| | | | | | 249 | 259 | 359 | 249 | 259 | 359 |
| 1 | 72.3175 | | spazio aperto compl. | open compartment cpl. | | | 1 | | | |
| | 72.3176 | | spazio aperto compl. | open compartment cpl. | | | | | | 1 |
| 2 | 705 020278 | | coperchio, fondo | lid, base | 2 | | | 2 | | |
| | 705 010103 | | coperchio, fondo | lid, base | | 2 | | | 2 | |
| | 705 010104 | | coperchio, fondo | lid, base | | | 2 | | | 2 |
| 3 | 705 020106 | | parete laterale | side panel | 2 | 2 | 2 | 2 | 2 | 2 |
| 4 | 705 020110 | | parete posteriore | rear panel | 1 | | | | | |
| | 705 020113 | | parete posteriore | rear panel | | 1 | | | | |
| | 705 020114 | | parete posteriore | rear panel | | | 1 | | | |
| 5 | 705 020112 | | listello di regolazione | adjust strip | 2 | 2 | 2 | | | |
| 6 | 72.2720 | | palo d'angolo | edge pole | 1 | 1 | | 2 | 2 | |

| | spiegazione | explanation |
|----|-----------------------|--------------------|
| HY | modello igienico | hygienic model |
| HS | interruttore generale | main interruptor |
| BR | copertura destra | filler right |
| BL | copertura sinistra | filler left |
| FL | con porta a battenti | with wing door |

| | | |
|------------------------|--------------------------|------------------------------------|
| unità spazio aperto | unit open compartment | Large 72.3090.70 2 10.4.1995 |
|------------------------|--------------------------|------------------------------------|

| Pos. | Produkt Nr. | Service Nr. | designazione | designation |  | | |  | | |
|------|-------------|-------------|-----------------|-------------|---|-----|-----|---|-----|-----|
| | | | | | 249 | 259 | 359 | 249 | 259 | 359 |
| 7 | 72.2718 | | copertura | filler | 1 | 1 | 2 | 2 | 2 | 4 |
| 8 | 1 701 7538 | | dado puntellata | snap nut | 16 | 16 | 16 | 16 | 16 | 16 |
| 9 | 1 701 7541 | | vite | screw | 16 | 16 | 16 | 16 | 16 | 16 |
| 10 | 1 701 6515 | | rivetta | rivet | 4 | 4 | 4 | 4 | 4 | 4 |

| | spiegazione | explanation |
|----|-----------------------|--------------------|
| HY | modello igienico | hygienic model |
| HS | interruttore generale | main interruptor |
| BR | copertura destra | filler right |
| BL | copertura sinistra | filler left |
| FL | con porta a battenti | with wing door |



| | | |
|---------------------|-------------|------------------|
| unità | unit | Large 72.3090.75 |
| armadio riscaldante | hot cabinet | 1 |
| AC | HC | 17.12.96 |



159 159

| Pos. | Produkt Nr. | Service Nr. | designatione | designation | | |
|------|----------------|-------------|--|---|-----|----------|
| 1 | 72.2989.XX | | AC un lato pannello di comando destra | HC one side control panel right | 1 | |
| | 72.3211.XX | | AC un lato pannello di comando sinistra | HC one side control panel left | 1 | |
| | 72.3212.XX | | AC continuata pannello di comando destra | HC continuous control panel right | | 1 |
| | 72.3213.XX | | AC continuata pannello di comando sinistra | HC continuous control panel left | | 1 |
| 2 | 72.3516 | | fondo | base | 1 | 1 |
| 3 | 72.3092.01 | | coperchio | lid | 1 | |
| | 72.3092.02 | | coperchio | lid | | 1 |
| 4 | 705 810112 | | parete laterale | side panel | 1 | 1 |
| 5 | 705 820252 | | parete laterale | side panel | 1 | 1 |
| 6 | 705 020107 | | parete posteriore | rear panel | 1 | |
| 7 | (*) 72.3090.90 | | pannello di comando | control panel | 1 | 1 |
| 8 | 72.2669 | | palo d'angolo destra | edge pole right | (1) | 1 |
| 8.1 | 72.2668 | | palo d'angolo sinistra | edge pole left | (1) | 1 |
| 9 | 72.2675 | | porta a battenti | wing door | (1) | 1 |
| 9.1 | 72.2726 | | porta a battenti | wing door | (1) | 1 |
| 10 | 72.3512.01 | | riscaldamento | heating | 1 | 1 |
| | 72.3512.02 | | riscaldamento | heating | | 200V 1kW |
| | 72.3512.03 | 1 801 1708 | riscaldamento | heating | | 230V 1kW |
| | 72.3512.04 | | riscaldamento | heating | | 400V 1kW |
| | 72.3512.05 | | riscaldamento | heating | | 415V 1kW |
| | | | riscaldamento | heating | | 440V 1kW |
| 11 | 772 030045 | | sostegno | support | 1 | 1 |
| 12 | 705 820253 | | fondo | base | 1 | |
| | 705 820254 | | fondo | base | | 1 |
| 14 | 72.2658 | | copertura | filler | | 1 |
| 15 | 72.4138 | | protezione | protection | 1 | 1 |
| 17 | 1 101 8165 | | vite | screw | 1 | 1 |

unità
armadio riscaldante

unit
hot cabinet

Large 72.3090.75

2

17.12.96



159

159

| Pos. | Produkt Nr. | Service Nr. | designazione | designation | | 159 | 159 |
|------|-------------|-------------|-----------------|-------------|---------|-------|--------|
| 18 | 1701 5047 | | disco a molla | spring disk | | 1 | 1 |
| 19 | 72.1120 | 1 801 1709 | guarnizione | washer | | 1 | 1 |
| 25 | 1701 7538 | | dado puntellata | snap nut | | 16 | 16 |
| 26 | 1701 7541 | | vite | screw | | 16 | 16 |
| 27 | 1115 1152 | 1 900 1265 | magnete | magnet | | 1 | 2 |
| 27a | 72.7151 | | magnete | magnet | 09/97 | 1 | 2 |
| 28 | 705 040 364 | | angolo | angle | | 1 | 2 |
| 28a | 72.4989 | | angolo | angle | 09/97 | 1 | 2 |
| 29 | 1701 6515 | | rivetta | rivet | (09/97) | 6 (4) | 10 (8) |
| 31 | 72.2099 | 1 900 6086 | manetta | knob | | 1 | 2 |
| 32 | 1701 1094 | | rivetta | rivet | 09/97 | 1 | 2 |
| | (*) | | vedere | see | | | |

Compact 72.3780.76
Large 72.3090.76
31.08.2000



| Doc. No. | Issue | IT | GB | Seite/ Page/ Pagina/ Page |
|------------|---------|-------------------------------------|------------------------------|---------------------------|
| 72.3090.76 | 08/2000 | Unità | Unit | 1 |
| LARGE 159 | | armadio riscaldante igienico 159 | hot cupboard hygienic 159 | |

| Pos. | Product No. | Service No. | Designazione | Designation | Type |  |  | Introduction |
|------|-------------|-------------|---------------------------------|------------------------|----------|---|---|--------------|
| 1 | 72.6263 | | pannello di comando destra | control panel right | | 1 | | 08/2000 |
| | 72.6264 | | pannello di comando sinistra | control panel left | | 1 | | 08/2000 |
| | 72.6267 | | pannello di comando destra | control panel right | | | 1 | 08/2000 |
| | 72.6268 | | pannello di comando sinistra | control panel left | | | 1 | 08/2000 |
| 2 | 72.6244.01 | | camicia cerniera destra | casing hinge right | | 1 | | 08/2000 |
| | 72.6244.02 | | camicia cerniera sinistra | casing hinge left | | 1 | | 08/2000 |
| | 72.6246.03 | | camicia cerniera destra | casing hinge right | | | 1 | 08/2000 |
| | 72.6246.04 | | camicia cerniera sinistra | casing hinge left | | | 1 | 08/2000 |
| 3 | 72.6311 | | coperchio | lid | | 1 | | 08/2000 |
| | 72.6061 | | coperchio | lid | | | 1 | 08/2000 |
| 4 | 72.6183 | | angolo | angle | | 1 | 2 | 08/2000 |
| 5 | 72.6251 | | protezione | protection | | 1 | 1 | 08/2000 |
| 6 | 72.6088 | | bolzone | bolt | | 4 | 4 | 08/2000 |
| 7 | 72.6087.01 | | gratella | grid | | 2 | | 08/2000 |
| | 72.6087.03 | | gratella | grid | | | 2 | 08/2000 |
| 8 | 72.3512.01 | | riscaldamento | heating | 200V 1kW | 1 | 1 | 08/2000 |
| | 72.3512.02 | | riscaldamento | heating | 230V 1kW | 1 | 1 | 08/2000 |
| | 72.3512.03 | | riscaldamento | heating | 400V 1kW | 1 | 1 | 08/2000 |
| | 72.3512.04 | | riscaldamento | heating | 415V 1kW | 1 | 1 | 08/2000 |
| 9 | 72.6257 | | sostegno | support | | 1 | 1 | 08/2000 |
| 10 | 72.6253 | | mensola | shelf | | 1 | | 08/2000 |
| | 72.6249 | | mensola | shelf | | | 1 | 08/2000 |
| 15 | 72.6122 | | porta cerniera sinistra | door hinge left | | 1 | 2 | 08/2000 |

| Doc. No. | Issue | IT | GB | Seite/ Page/ Pagina/ Page |
|------------|---------|-------------------------------------|------------------------------|---------------------------|
| 72.3090.76 | 08/2000 | Unità | Unit | 2 |
| LARGE 159 | | armadio riscaldante igienico 159 | hot cupboard hygienic 159 | |

| Pos. | Product No. | Service No. | Designatione | Designation | Type |  |  | Introduction |
|------|-------------|-------------|--------------------------|---------------------|-------|---|---|--------------|
| 16 | 72.6122 | | porta cerniera destra | door hinge right | | 1 | 2 | 08/2000 |
| 17 | 72.6259 | | pannello di comando | control panel | | 1 | 1 | 08/2000 |
| 18 | 72.6260 | | pannello di comando | control panel | | 1 | 1 | 08/2000 |
| 19 | 72.6051 | | copertura | filler | | | 1 | 08/2000 |
| 20 | 72.6054 | | copertura | filler | | | 1 | 08/2000 |
| 23 | 72.2090 | 1900 6086 | manetta | knob | | 1 | 2 | 08/2000 |
| 24 | 72.1120 | 1801 1709 | guarnizione | sealing | | 1 | 1 | 08/2000 |
| 25 | 1201 2020 | | sostegno | support | | 1 | 1 | 08/2000 |
| 26 | 1701 5047 | | anello della molla | spring ring | | 1 | 1 | 08/2000 |
| 30 | 1701 2703 | | per armadio | screw | M4x8 | 2 | 2 | 08/2000 |
| 31 | 1101 8129 | | per armadio | screw | M5x16 | 1 | 1 | 08/2000 |
| 32 | 1701 1541 | | per armadio | screw | M4x10 | 4 | 4 | 08/2000 |
| 33 | 1701 1547 | | rivetta | rivet | | 16 | 16 | 08/2000 |

unità
armadio riscaldante
AC

unit
hot cabinet
HC

Large 72.3090.78
1/2
17.12.96



| Pos. | Produkt Nr. | Service Nr. | designazione | designation | 249 | 249 |
|------|----------------|-------------|--|---|-----|----------|
| 1 | 72.3357.XX | | AC un lato pannello di comando destra | HC one side control panel right | 1 | |
| | 72.3359.XX | | AC un lato pannello di comando sinistra | HC one side control panel left | 1 | |
| | 72.3358.XX | | AC continuata pannello di comando destra | HC continuous control panel right | | 1 |
| | 72.3360.XX | | AC continuata pannello di comando sinistra | HC continuous control panel left | | 1 |
| 2 | 72.3518 | | fondo | base | 1 | 1 |
| 3 | 72.3354.01 | | coperchio | lid | 1 | |
| | 72.3354.02 | | coperchio | lid | | 1 |
| 4 | 705 020106 | | parete laterale | side panel | 1 | 1 |
| 5 | 705 820105 | | parete laterale | side panel | 1 | 1 |
| 6 | 705 020277 | | parete posteriore | rear panel | 1 | |
| 7 | (*) 72.3390.90 | | pannello di comando | control panel | 1 | 1 |
| 9 | 72.2690 | | palo d'angolo destra | edge pole right | (1) | 1 |
| 10 | 72.2691 | | palo d'angolo sinistra | edge pole left | (1) | 1 |
| 11 | 72.2677 | | porta a battenti | wing door | 1 | 2 |
| 12 | 72.2676 | | porta a battenti | wing door | 1 | 2 |
| 13 | 72.2099 | 1 900 6086 | manetta | knob | 2 | 4 |
| 14 | 72.3512.01 | | riscaldamento | heating | 2 | 2 |
| | 72.3512.02 | | riscaldamento | heating | | 230V 1kW |
| | 72.3512.03 | 1 801 1708 | riscaldamento | heating | | 400V 1kW |
| | 72.3512.04 | | riscaldamento | heating | | 415V 1kW |
| | 72.3512.05 | | riscaldamento | heating | | 440V 1kW |
| 15 | 772 030045 | | sostegno | support | 2 | 2 |
| 16 | 705 020285 | | fondo | base | 1 | 1 |
| 17 | 705 020 112 | | listello di regolazione | adjust strip | 2 | |

unità
armadio riscaldante

unit
hot cabinet

Large 72.3090.78
2/2
17.12.96



| Pos. | Produkt Nr. | Service Nr. | designazione | designation | 249 | 249 |
|------|-------------|-------------|---------------------|---------------|-----|-----|
| 18 | 72.3218 | | copertura destra | filler right | | (1) |
| 19 | 72.2713 | | copertura sinistra | filler left | | (1) |
| 20 | 705 040611 | 1 900 1261 | portatore di tavola | shelf support | 4 | 4 |
| 23 | 1 101 8165 | | vite | screw | 2 | 2 |
| 24 | 1 701 5047 | | disco a molla | spring disk | 2 | 2 |
| 25 | 72.1120 | 1 801 1709 | guarnizione | washer | 2 | 2 |
| 26 | 1 701 7538 | | dado puntellata | snap nut | 16 | 16 |
| 27 | 1 701 7541 | | vite | screw | 16 | 16 |
| 28 | 1 115 1152 | 1 900 1265 | magnete | magnet | 2 | 4 |
| 28a | 72.7151 | | magnete | magnet | 2 | 4 |
| 29 | 705 040 364 | | angolo | angle | 1 | 2 |
| 29a | 72.4990 | | angolo | angle | 1 | 2 |
| 30 | 1 701 6515 | | rivetta | rivet | 8 | 16 |
| 31 | 72.4138 | | protezione | protection | 1 | 1 |
| 31a | 705 020 247 | | protezione | protection | 1 | 1 |
| 32 | 1701 1094 | | rivetta | rivet | 2 | 4 |

(*) vedere see

Compact 72.3780.79
Large 72.3090.79

31.08.2000



| Doc. No. | Issue | IT | GB | Seite/ Page/ Pagina/ Page |
|------------|---------|-------------------------------------|------------------------------|---------------------------|
| 72.3090.79 | 08/2000 | Unità | Unit | 1 |
| LARGE 249 | | armadio riscaldante igienico 249 | hot cupboard hygienic 249 | |

| Pos. | Product No. | Service No. | Designazione | Designation | Type |  |  | Introduction |
|------|-------------|-------------|---------------------------------|------------------------|----------|---|---|--------------|
| 1 | 72.6275 | | pannello di comando destra | control panel right | | 1 | | 08/2000 |
| | 72.6276 | | pannello di comando sinistra | control panel left | | 1 | | 08/2000 |
| | 72.6279 | | pannello di comando destra | control panel right | | | 1 | 08/2000 |
| | 72.6280 | | pannello di comando sinistra | control panel left | | | 1 | 08/2000 |
| 2 | 72.6245.01 | | camicia | casing | | 1 | | 08/2000 |
| | 72.6245.02 | | camicia | casing | | 1 | | 08/2000 |
| | 72.6247.03 | | camicia | casing | | | 1 | 08/2000 |
| | 72.6247.04 | | camicia | casing | | | 1 | 08/2000 |
| 3 | 72.6074 | | coperchio | lid | | 1 | | 08/2000 |
| | 72.6076 | | coperchio | lid | | | 1 | 08/2000 |
| 4 | 72.6121 | | angolo | angle | | 1 | 2 | 08/2000 |
| 5 | 72.6251 | | protezione | protection | | 1 | 1 | 08/2000 |
| 6 | 72.6088 | | bolzone | bolt | | 4 | 4 | 08/2000 |
| 7 | 72.6087.01 | | gratella | grid | | 2 | | 08/2000 |
| | 72.6087.03 | | gratella | grid | | | 2 | 08/2000 |
| 8 | 72.3512.01 | | riscaldamento | heating | 200V 1kW | 2 | 2 | 08/2000 |
| | 72.3512.02 | | riscaldamento | heating | 230V 1kW | 2 | 2 | 08/2000 |
| | 72.3512.03 | | riscaldamento | heating | 400V 1kW | 2 | 2 | 08/2000 |
| | 72.3512.04 | | riscaldamento | heating | 415V 1kW | 2 | 2 | 08/2000 |
| 9 | 72.6257 | | sostegno | support | | 2 | 2 | 08/2000 |
| 10 | 72.6256 | | mensola | shelf | | 1 | | 08/2000 |
| | 72.6255 | | mensola | shelf | | | 1 | 08/2000 |
| 15 | 72.6135 | | porta cerniera destra | door hinge right | | 2 | 4 | 08/2000 |

| Doc. No. | Issue | IT | GB | Seite/ Page/ Pagina/ Page |
|------------|---------|-------------------------------------|------------------------------|---------------------------|
| 72.3090.79 | 08/2000 | Unità | Unit | 2 |
| LARGE 249 | | armadio riscaldante igienico 249 | hot cupboard hygienic 249 | |

| Pos. | Product No. | Service No. | Designatione | Designation | Type | |  | Introduction |
|------|-------------|-------------|----------------------------|--------------------|----------|----|---|--------------|
| 16 | 72.6138 | | porta cerniera sinistra | door hinge left | | 2 | 4 | 08/2000 |
| 17 | 72.6261.01 | | pannello di comando | control panel | 200/230V | 1 | 1 | 08/2000 |
| | 72.6261.02 | | pannello di comando | control panel | 400/415V | 1 | 1 | 08/2000 |
| 18 | 72.6262.01 | | pannello di comando | control panel | 200/230V | 1 | 1 | 08/2000 |
| | 72.6262.02 | | pannello di comando | control panel | 400/415V | 1 | 1 | 08/2000 |
| 19 | 72.6089 | | copertura | filler | | | 1 | 08/2000 |
| 20 | 72.6092 | | copertura | filler | | | 1 | 08/2000 |
| 23 | 72.2090 | 1900 6086 | manetta | knob | | 2 | 4 | 08/2000 |
| 24 | 72.1120 | 1801 1709 | guarnizione | sealing | | 2 | 2 | 08/2000 |
| 25 | 1201 2020 | | sostegno | support | | 1 | 1 | 08/2000 |
| 26 | 1701 5047 | | anello della molla | spring ring | | 2 | 2 | 08/2000 |
| 30 | 1701 2703 | | per armadio | screw | M4x8 | 2 | 2 | 08/2000 |
| 31 | 1101 8129 | | per armadio | screw | M5x16 | 2 | 2 | 08/2000 |
| 32 | 1701 1541 | | per armadio | screw | M4x10 | 4 | 4 | 08/2000 |
| 33 | 1701 1547 | | rivetta | rivet | | 16 | 16 | 08/2000 |





| | | |
|---------------------|-------------|------------------|
| unità | unit | Large 72.3090.80 |
| armadio riscaldante | hot cabinet | 1 |
| AC | HC | 17.12.96 |

| Pos. | Produkt Nr. | Service Nr. | designazione | designation |  | |  | |
|------|--|-------------|---|---|---|-----|---|-----|
| | | | | | 259 | 359 | 259 | 359 |
| 1 | 72.3220.XX 72.3224.XX | | AC un lato pannello di comando destra | HC one side control panel right | 1 | | | |
| | 72.3222.XX 72.3225.XX | | AC un lato pannello di comando sinistra | HC one side control panel left | 1 | | 1 | |
| | 72.2714.XX 72.3226.XX | | AC continuata pannello di comando destra | HC continuous control panel right | | | 1 | |
| | 72.3223.XX 72.3227.XX | | AC continuata pannello di comando sinistra | HC continuous control panel left | | | 1 | 1 |
| 2 | 72.3521 72.3523 | | fondo fondo | base base | 1 | | 1 | |
| 3 | 705 820 103 705 820 104 | | coperchio coperchio | lid lid | 1 | | 1 | 1 |
| 4 | 705 020 106 705 820 105 | | parete laterale parete laterale | side panel side panel | 1 | 1 | 1 | 1 |
| 5 | 705 020 113 705 020 114 | | parete posteriore parete posteriore | rear panel rear panel | 1 | | 1 | |
| 6 | siehe 72.3090.90 | | pannello di comando | control panel | 1 | 1 | 1 | 1 |
| 8 | 72.2720 | | palo d'angolo | edge pole | 1 | | 2 | |
| 9 | 72.2718 | | copertura | filler | | 1 | 1 | 3 |
| 11 | 72.3512.01 72.3512.02 72.3512.03 72.3512.04 72.3512.05 | 1801 1708 | riscaldamento riscaldamento riscaldamento riscaldamento riscaldamento | heating heating heating heating heating | 2 | 3 | 2 | 3 |
| 12 | 772 030 045 | | sostegno | support | 2 | 3 | 2 | 3 |
| 13 | 72.3683 | | tavola, ripiano | shelf | 1 | 1 | 1 | 1 |
| 14 | 705 020 112 | | listello di regolazione | adjust strip | 2 | 2 | | |
| 15 | 705 040 611 | 1900 1261 | portatore di tavola | shelf support | 4 | 4 | 4 | 4 |

unità
armadio riscaldante

unit
hot cabinet

Large 72.3090.80
2
17.12.96

| Pos. | Produkt Nr. | Service Nr. | designazione | designation |  | |  | |
|------|-------------|-------------|--------------------------|---------------------|---|-----|---|-----|
| | | | | | 259 | 359 | 259 | 359 |
| 16 | 1701 6515 | | rivetta | rivet | 4 | 4 | 4 | 4 |
| 17 | 72.4138 | | protezione | protection | 1 | 1 | 1 | 1 |
| 17a | 705 020 247 | | protezione | protection | | 1 | | 118 |
| | 72.2446 | | stecca, guida | rail | 4 | | 8 | |
| | 72.3240 | | stecca, guida | rail | | 4 | | 8 |
| 19 | 72.2447 | | stecca, guida | rail | 2 | | 4 | |
| | 72.3241 | | stecca, guida | rail | | 2 | | 4 |
| 20 | 705 040 124 | | disco | disk | 12 | 12 | 24 | 24 |
| 21 | 1701 5004 | | disco a molla | spring disk | 6 | 6 | 12 | 12 |
| 22 | 1701 3008 | | dado | nut | 6 | 6 | 12 | 12 |
| 24 | 1701 7538 | | dado puntellata | snap nut | 16 | 16 | 16 | 16 |
| 25 | 1701 7541 | | vite | screw | 16 | 16 | 16 | 16 |
| 32 | 705 830 119 | | porta glissante sinistra | sliding door left | 1 | | 2 | |
| | 705 830 121 | 1900 9242 | porta glissante sinistra | sliding door left | | 1 | | 2 |
| 33 | 705 830 120 | 1900 9241 | porta glissante destra | sliding door right | 1 | | 2 | |
| | 705 830 122 | 1900 9243 | porta glissante destra | sliding door right | | 1 | | 2 |
| 34 | 705 830 123 | 1900 9244 | porta glissante mezzo | sliding door middle | 1 | | 2 | |
| | 705 830 124 | | porta glissante mezzo | sliding door middle | | 1 | | 2 |
| 35 | 705 030 405 | | angolo | angle | 2 | 2 | 4 | 4 |
| 36 | 1701 3010 | 1101 8579 | dado | nut | 4 | 4 | 8 | 8 |
| 37 | 705 040310 | 1900 0021 | cursore | glider | 6 | 6 | 12 | 12 |
| 38 | 1101 8165 | | vite | screw | 2 | 3 | 2 | 3 |
| 39 | 1701 5047 | | disco a molla | spring disk | 2 | 3 | 2 | 3 |
| 40 | 72.1120 | 1801 1709 | guarnizione | washer | 2 | 3 | 2 | 3 |



| | | | |
|--|---------------------|-------------|------------------|
| | unità | unit | Large 72.3090.85 |
| | armadio riscaldante | hot cabinet | 1 |
| | AC | HC | 09.97 |

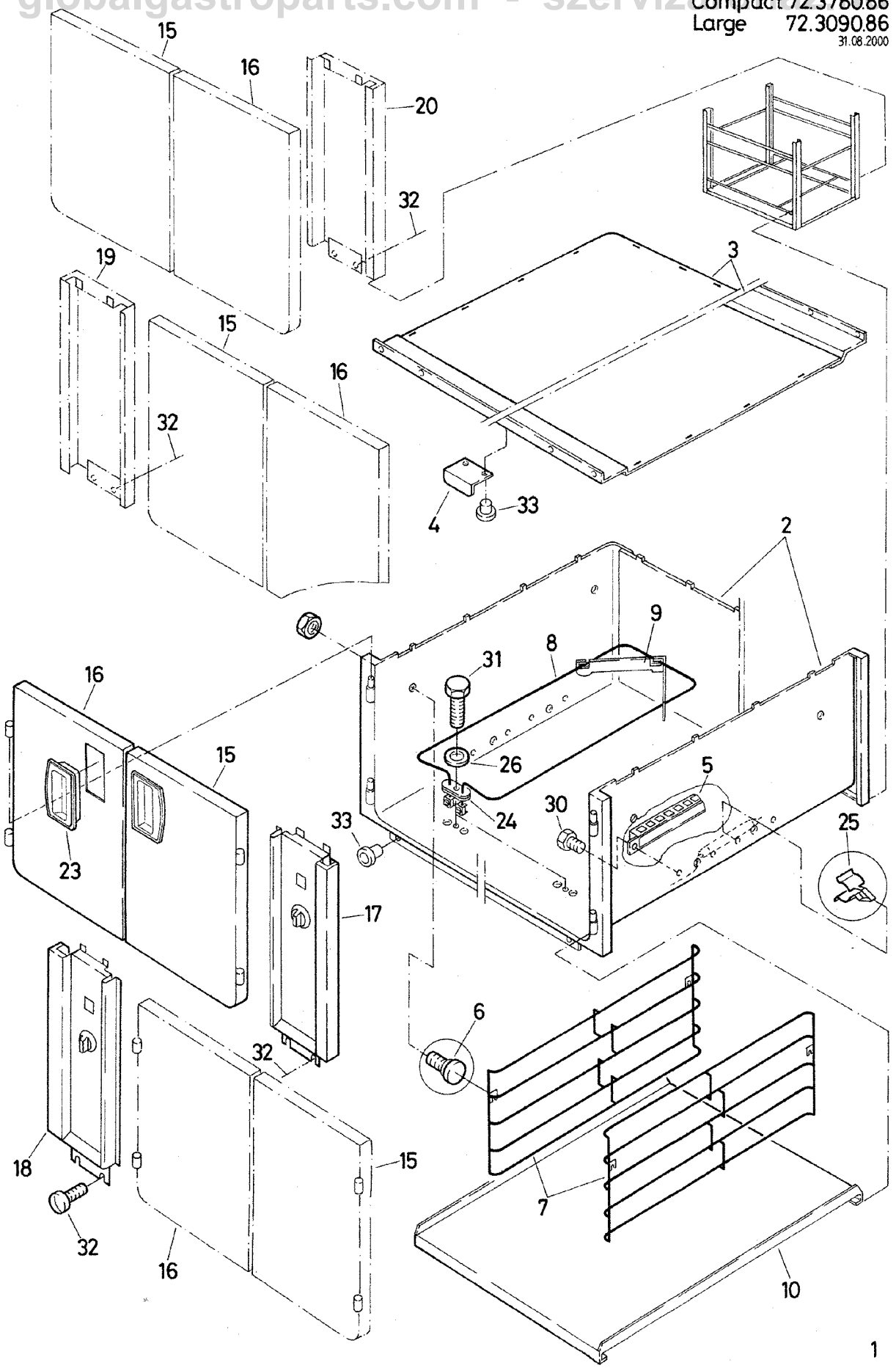
| Pos. | Produkt Nr. | Service Nr. | designazione | designation |  259 |  259 |
|------|------------------|-------------|-------------------------|---------------|---|---|
| 1 | 72.4943.XX | | AC un lato | HC one side | 1 | |
| | | | pannello di | control panel | | |
| | | | comando destra | right | | |
| | 72.4978.XX | | AC un lato | HC one side | 1 | |
| | | | pannello di | control panel | | |
| | | | comando sinistra | left | | |
| | 72.4979.XX | | AC continuata | HC continuous | | 1 |
| | | | pannello di | control panel | | |
| | | | comando destra | right | | |
| | 72.4980.XX | | AC continuata | HC continuous | | 1 |
| | | | pannello di | control panel | | |
| | | | comando sinistra | left | | |
| 2 | 72.4947 | | fondo | base | 1 | 1 |
| 3 | 72.4180.01 | | coperchio | lid | 1 | |
| | 72.4180.02 | | coperchio | lid | | 1 |
| 4 | 705 020106 | | parete laterale | side panel | 1 | 1 |
| | 705 820105 | | parete laterale | side panel | 1 | 1 |
| 5 | 705 020113 | | parete posteriore | rear panel | 1 | |
| 6 | siehe 72.3090.90 | | pannello di comando | control panel | 1 | 1 |
| 8 | 72.2690 | | palo d'angolo | edge pole | (1) | 1 |
| 9 | 72.2691 | | copertura | filler | (1) | 1 |
| 11 | 72.3512.01 | | riscaldamento | heating | 2 | 2 |
| | 72.3512.02 | | riscaldamento | heating | | |
| | 72.3512.03 | 1801 1708 | riscaldamento | heating | | |
| | 72.3512.04 | | riscaldamento | heating | | |
| | 72.3512.05 | | riscaldamento | heating | | |
| 12 | 772 030 045 | | sostegno | support | 2 | 2 |
| 13 | 72.3683 | | tavola, ripiano | shelf | 1 | 1 |
| 14 | 705 020 112 | | listello di regolazione | adjust strip | 2 | |
| 15 | 705 040 611 | 1900 1261 | portatore di tavola | shelf support | 4 | 4 |
| 16 | 1701 6515 | | rivetta | rivet | 4 | 6 |
| 17 | 705 020 247 | | protezione | protection | 09/97 | 1 |

unità
armadio riscaldante



unit
hot cabinet

Large 72.3090.85
2
09.97

| Pos. | Produkt Nr. | Service Nr. | designazione | designation |  259 |  259 |
|------|-------------|-------------|------------------|-------------|---|---|
| 18 | 72.3218 | | copertura | filler | | (1) |
| 19 | 72.2713 | | copertura | filler | | (1) |
| 20 | 72.4185 | | porta a battenti | wing door | 1 | 2 |
| 21 | 72.4187 | | porta a battenti | wing door | 1 | 2 |
| 22 | 72.2099 | 1900 6086 | manetta | knob | 2 | 4 |
| 24 | 1701 7538 | | dado puntellata | snap nut | 16 | 16 |
| 25 | 1701 7541 | | vite | screw | 16 | 16 |
| 32 | 72.4990 | | angolo | angle | 1 | 2 |
| 33 | 72.7151 | | magnete | magnet | 1 | 2 |
| 34 | 1701 1094 | | rivetta | rivet | 1 | 2 |
| 38 | 1101 8165 | | vite | screw | 2 | 2 |
| 39 | 1701 5047 | | disco a molla | spring disk | 2 | 2 |
| 40 | 72.1120 | 1801 1709 | guarnizione | washer | 2 | 2 |

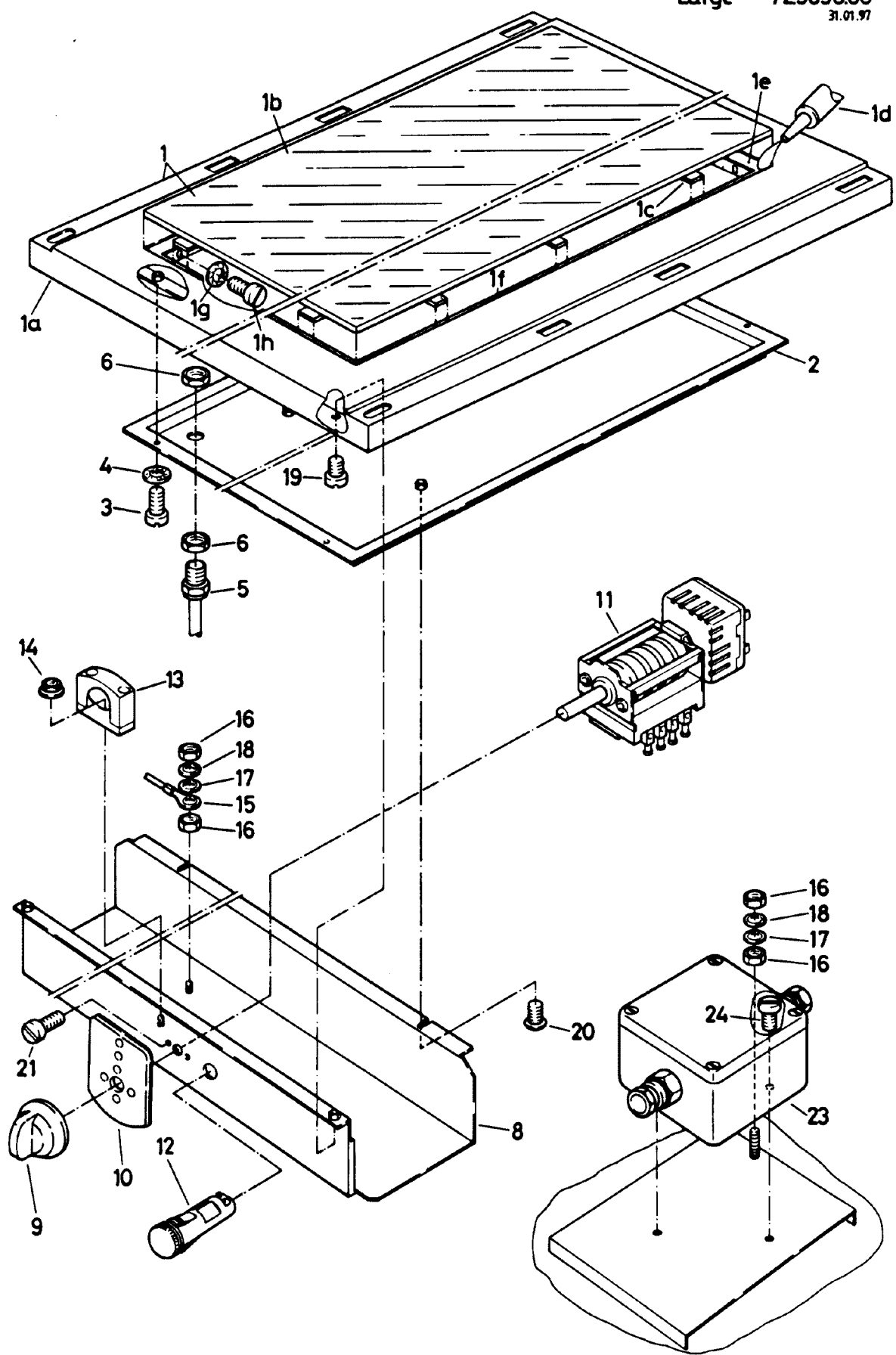


| Doc. No. | Issue | IT | GB | Seite/ Page/ Pagina/ Page |
|-------------------|----------------|-------------------------------------|------------------------------|---------------------------|
| 72.3090.86 | 08/2000 | Unità | Unit | 1 |
| LARGE 259 | | armadio riscaldante igienico 259 | hot cupboard hygienic 259 | |

| Pos. | Product No. | Service No. | Designazione | Designation | Type |  |  | Introduction |
|------|-------------|-------------|---------------------------------|------------------------|----------|---|---|--------------|
| 1 | 72.6270 | | pannello di comando destra | control panel right | | 1 | | 08/2000 |
| | 72.6269 | | pannello di comando sinistra | control panel left | | 1 | | 08/2000 |
| | 72.6273 | | pannello di comando destra | control panel right | | | 1 | 08/2000 |
| | 72.6274 | | pannello di comando sinistra | control panel left | | | 1 | 08/2000 |
| 2 | 72.6243.01 | | camicia | casing | | 1 | | 08/2000 |
| | 72.6243.02 | | camicia | casing | | 1 | | 08/2000 |
| | 72.6234.03 | | camicia | casing | | | 1 | 08/2000 |
| | 72.6234.04 | | camicia | casing | | | 1 | 08/2000 |
| 3 | 72.6042 | | coperchio | lid | | 1 | | 08/2000 |
| | 72.6043 | | coperchio | lid | | | 1 | 08/2000 |
| 4 | 72.6121 | | angolo | angle | | 1 | 2 | 08/2000 |
| 5 | 72.6251 | | protezione | protection | | 1 | 1 | 08/2000 |
| 6 | 72.6088 | | bolzone | bolt | | 4 | 4 | 08/2000 |
| 7 | 72.6087.01 | | gratella | grid | | 2 | | 08/2000 |
| | 72.6087.03 | | gratella | grid | | | 2 | 08/2000 |
| 8 | 72.3512.01 | | riscaldamento | heating | 200V 1kW | 2 | 2 | 08/2000 |
| | 72.3512.02 | | riscaldamento | heating | 230V 1kW | 2 | 2 | 08/2000 |
| | 72.3512.03 | | riscaldamento | heating | 400V 1kW | 2 | 2 | 08/2000 |
| | 72.3512.04 | | riscaldamento | heating | 415V 1kW | 2 | 2 | 08/2000 |
| 9 | 72.6257 | | sostegno | support | | 2 | 2 | 08/2000 |
| 10 | 72.6252 | | mensola | shelf | | 1 | | 08/2000 |
| | 72.6248 | | mensola | shelf | | | 1 | 08/2000 |
| 15 | 72.6113 | | porta cerniera destra | door hinge right | | 2 | 4 | 08/2000 |

| Doc. No. | Issue | IT | GB | Seite/ Page/ Pagina/ Page |
|------------|---------|-------------------------------------|------------------------------|---------------------------|
| 72.3090.86 | 08/2000 | Unità | Unit | 2 |
| LARGE 259 | | armadio riscaldante igienico 259 | hot cupboard hygienic 259 | |

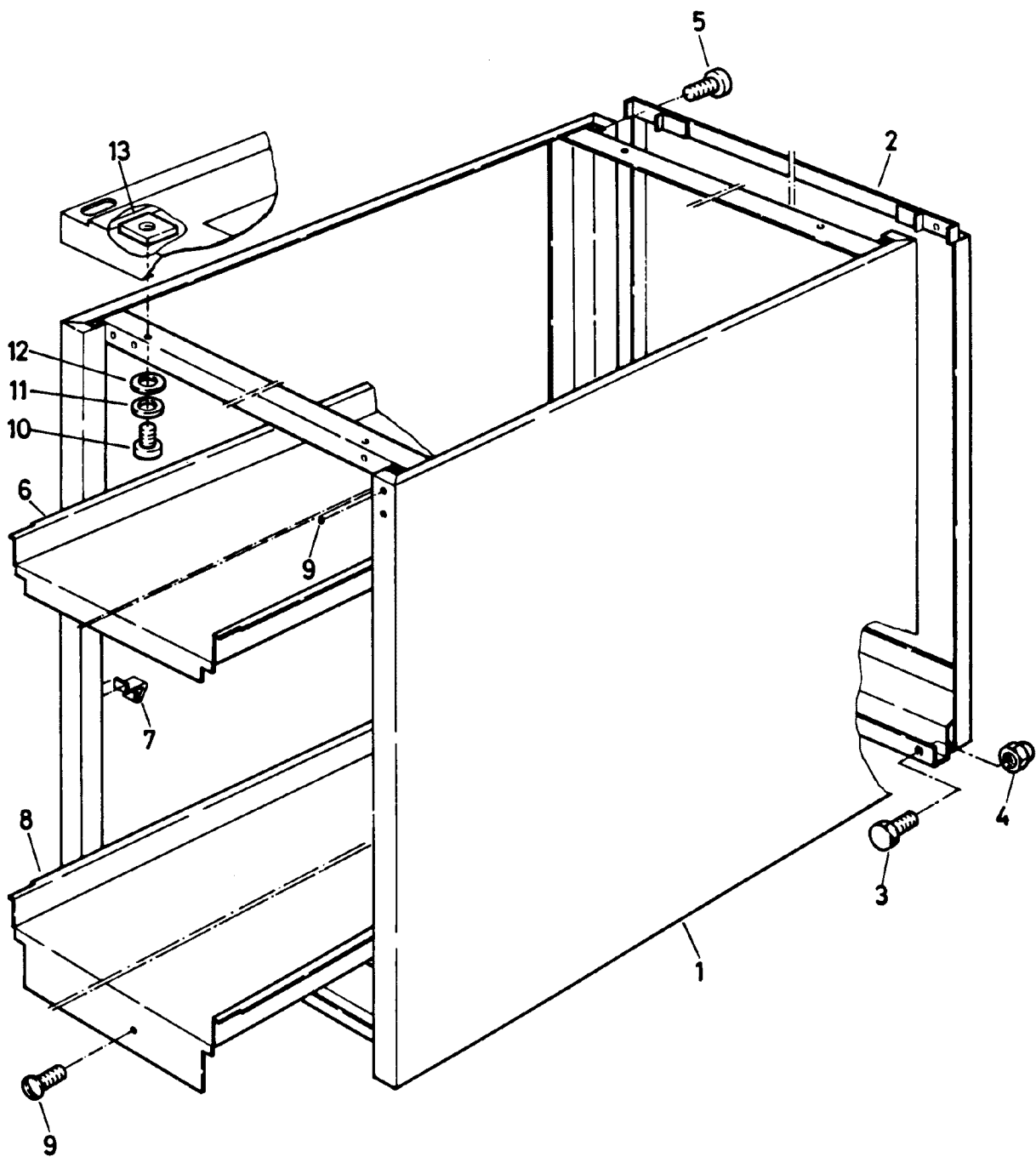
| Pos. | Product No. | Service No. | Designatione | Designation | Type |  |  | Introduction |
|------|-------------|-------------|----------------------------|--------------------|----------|---|---|--------------|
| 16 | 72.6116 | | porta cerniera sinistra | door hinge left | | 2 | 4 | 08/2000 |
| 17 | 72.6241.01 | | pannello di comando | control panel | 200/230V | 1 | 1 | 08/2000 |
| | 72.6241.02 | | pannello di comando | control panel | 400/415V | 1 | 1 | 08/2000 |
| 18 | 72.6258.01 | | pannello di comando | control panel | 200/230V | 1 | 1 | 08/2000 |
| | 72.6258.02 | | pannello di comando | control panel | 400/415V | 1 | 1 | 08/2000 |
| 19 | 72.6049 | | copertura | filler | | | 1 | 08/2000 |
| 20 | 72.6047 | | copertura | filler | | | 1 | 08/2000 |
| 23 | 72.2090 | 1900 6086 | manetta | knob | | 2 | 4 | 08/2000 |
| 24 | 72.1120 | 1801 1709 | guarnizione | sealing | | 2 | 2 | 08/2000 |
| 25 | 1201 2020 | | sostegno | support | | 1 | 1 | 08/2000 |
| 26 | 1701 5047 | | anello della molla | spring ring | | 2 | 2 | 08/2000 |
| 30 | 1701 2703 | | per armadio | screw | M4x8 | 2 | 2 | 08/2000 |
| 31 | 1101 8129 | | per armadio | screw | M5x16 | 2 | 2 | 08/2000 |
| 32 | 1701 1541 | | per armadio | screw | M4x10 | 4 | 4 | 08/2000 |
| 33 | 1701 1547 | | rivetta | rivet | | 16 | 16 | 08/2000 |



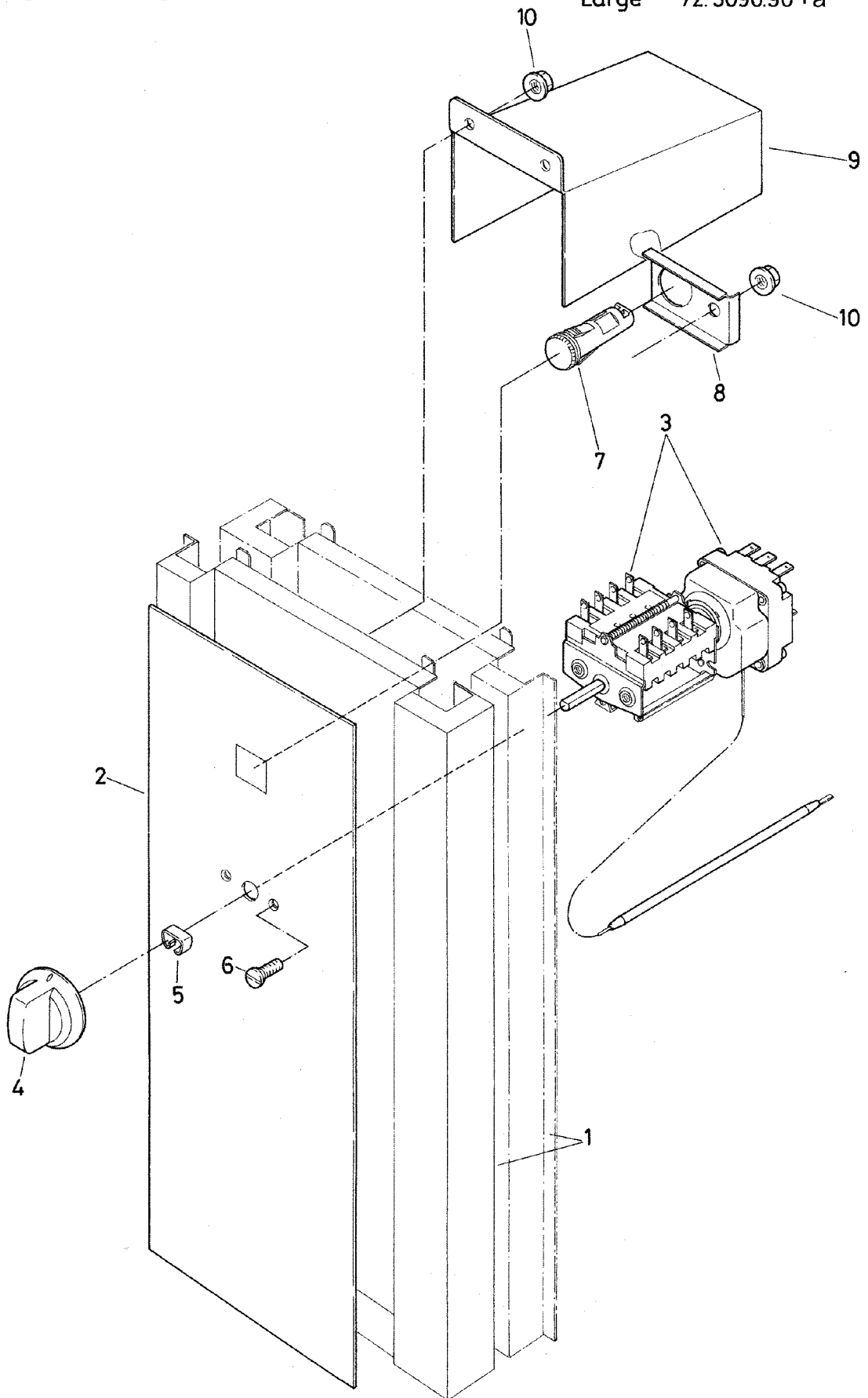
| Pos. | Produkt Nr. | Service Nr. | designazione | designation | Abmessung | 800 | 900 |
|------|-------------|-------------|---|--------------------------------|-----------|--|----------------|
| | | | unità piastra riscaldante parte superiore | unit hotplate upper part | | Compact 72.3780.88 Large 72.3090.88 | 1/2 31.1.97 |
| 1 | 73.0073.01 | | copertura | cover | 700x800 | 1 | |
| | 73.0073.02 | | copertura | cover | 800x800 | 1 | |
| | 73.0073.03 | | copertura | cover | 900x800 | 1 | |
| | 73.0073.04 | | copertura | cover | 1000x800 | 1 | |
| | 73.0064.02 | | copertura | cover | 700x900 | | 1 |
| | 73.0064.04 | | copertura | cover | 800x900 | | 1 |
| | 73.0064.06 | | copertura | cover | 900x900 | | 1 |
| | 73.0064.08 | | copertura | cover | 1000x900 | | 1 |
| 1a | 73.0072.01 | | placca di copertura | cover plate | | 1 | |
| | 73.0072.02 | | placca di copertura | cover plate | | 1 | |
| | 73.0072.03 | | placca di copertura | cover plate | | 1 | |
| | 73.0072.04 | | placca di copertura | cover plate | | 1 | |
| | 73.0067.02 | | placca di copertura | cover plate | | | 1 |
| | 73.0067.04 | | placca di copertura | cover plate | | | 1 |
| | 73.0067.06 | | placca di copertura | cover plate | | | 1 |
| | 73.0067.08 | | placca di copertura | cover plate | | | 1 |
| 1b | 73.0050.02 | 1800 1000 | placca in ceramica | ceramic plate | | 1 | 1 |
| | 73.0050.03 | 1800 1001 | placca in ceramica | ceramic plate | | 1 | 1 |
| 1c | 1 201 1444 | 1802 5483 | sostegno | base | | 10 | 10 |
| 1d | 1 201 1792 | 1201 1948 | colla | adhesive | | % | % |
| 1e | 73.0055.01 | | supporto | support | | 2 | 2 |
| | 73.0055.02 | | supporto | support | | | 2 |
| | 73.0055.03 | | supporto | support | | 2 | 2 |
| 1f | 73.0055.02 | | supporto | support | | 2 | 2 |
| | 73.0055.03 | | supporto | support | | | 2 |
| 1g | 1 701 7060 | | disco | disk | M 4 | 8 | 8 |
| 1h | 1 701 2019 | | vite | screw | M 4x8 | 8 | 8 |
| 2 | 73.0056 | | vasca | tray | 500x600 | 1 | |
| | 73.0057 | | vasca | tray | 600x800 | | 1 |
| 3 | 1 701 2035 | | vite | screw | M 5x10 | 4 | 4 |
| 4 | 1 701 7002 | | disco | disk | M 5 | 4 | 4 |
| 5 | 12.6359 | | collegamento | fitting | PG11 | 1 | 1 |
| 6 | 1 103 1530 | | dado | nut | PG11 | 2 | 2 |

| | | | |
|---------------------|------------|---------|------------|
| unità | unit | Compact | 72.3780.88 |
| piastra riscaldante | hotplate | Large | 72.3090.88 |
| parte superiore | upper part | | 2/2 |
| | | | 31.1.97 |

| Pos. | Produkt Nr. | Service Nr. | designazione | designation | Introd. | Abmessung | 800 | 900 |
|------|----------------|-------------|-----------------|-------------|------------------|---------------|-----|-----|
| 8 | 73.0062.01 | | base | housing | | 700 | 1 | 1 |
| | 73.0062.02 | | base | housing | | 800 | 1 | 1 |
| | 73.0062.03 | | base | housing | | 900 | 1 | 1 |
| | 73.0062.04 | | base | housing | | 1000 | 1 | 1 |
| 9 | 72.2256.01 | 1900 6070 | manetta | knob | | 30°-110° | 1 | 1 |
| 10 | 72.2213 | 1900 6954 | piastra | plate | | | 1 | 1 |
| | 72.6390 | | piastra | plate | Electrolux 09.00 | | 1 | 1 |
| 11 | 72.4082 | 1801 5470 | interruttore | interruptor | | | 1 | 1 |
| 12 | 72.4574.01 | 1801 5471 | lampada | lamp | | | 1 | 1 |
| 13 | 1116 1077 | | brida | shackle | | | 1 | 1 |
| 14 | 712 044 120.04 | | dado | nut | | M 4 | 1 | 1 |
| 15 | 73.0108 | | cavo | cable | | | 1 | 1 |
| 16 | 1701 3016 | | dado | nut | | | 4 | 4 |
| 17 | 1701 4003 | | disco | disk | | Ø6.4x12.5x1.6 | 2 | 2 |
| 18 | 1701 4007 | | anello di molla | spring ring | | M 6 | 2 | 2 |
| 19 | 10.3179 | | vite | screw | | M 5 | 2 | 2 |
| 20 | 1701 1541 | | vite | screw | | M 4x10 | 2 | 2 |
| 21 | 1701 2019 | | vite | screw | | M 4x8 | 2 | 2 |
| 23 | 72.4089 | | raccordo | connection | | | 1 | 1 |
| 24 | 1701 2019 | | vite | screw | | M 4x8 | 2 | 2 |



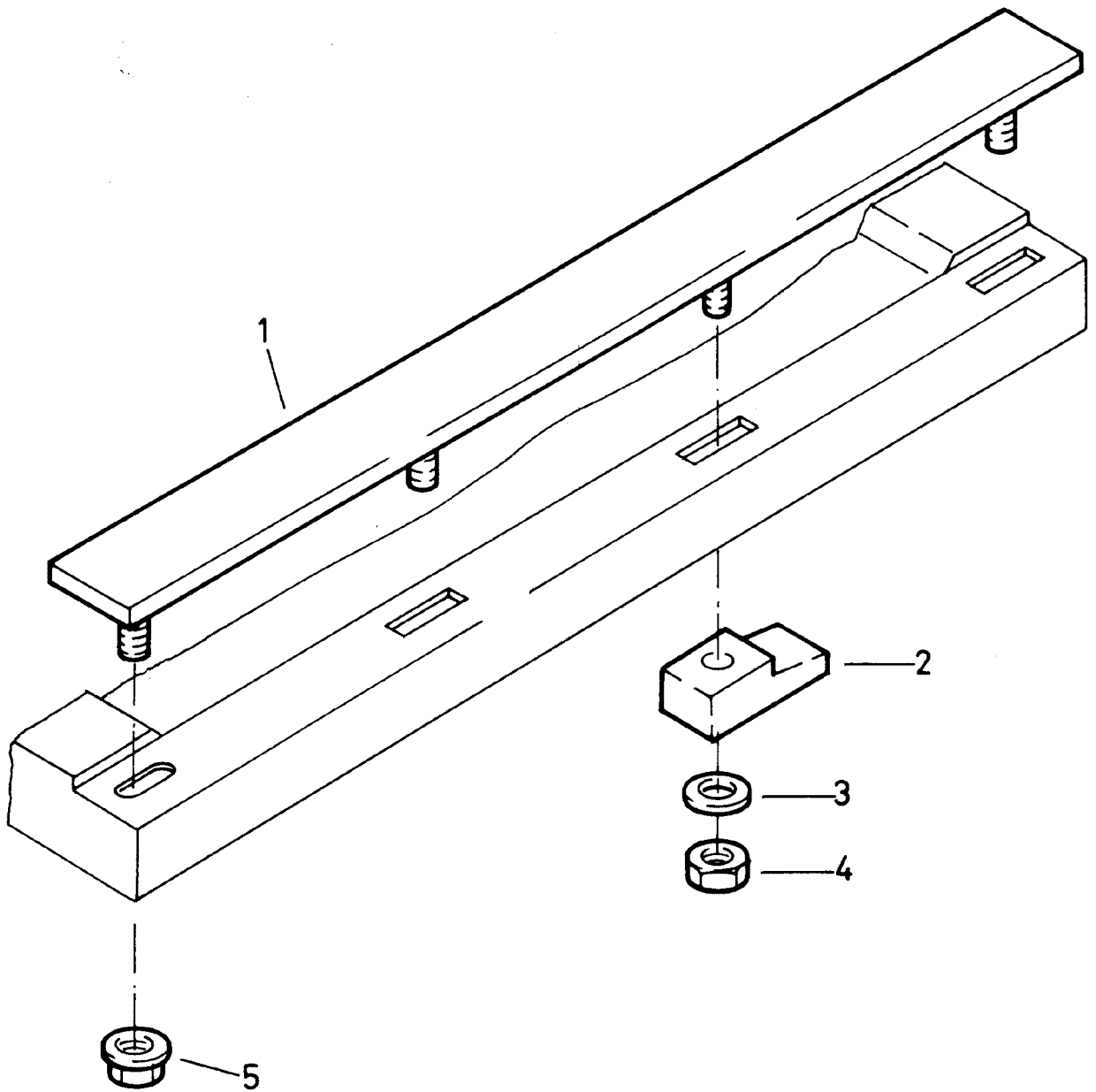
| | | unità piastra riscaldante telaio | unit hotplate frame | Compact 72.3780.89 Large 72.3090.89 1/1 31.1.97 | | | |
|------|-------------|--|---------------------------|--|---------------|-----|-----|
| Pos. | Produkt Nr. | Service Nr. | designazione | designation | Abmessung | 800 | 900 |
| 1 | 73.0080.01 | | telaio | frame | 700x800 | 1 | |
| | 73.0080.02 | | telaio | frame | 800x800 | 1 | |
| | 73.0080.03 | | telaio | frame | 900x800 | 1 | |
| | 73.0080.04 | | telaio | frame | 1000x800 | 1 | |
| | 73.0080.05 | | telaio | frame | 700x900 | | 1 |
| | 73.0080.06 | | telaio | frame | 800x900 | | 1 |
| | 73.0080.07 | | telaio | frame | 900x900 | | 1 |
| | 73.0080.08 | | telaio | frame | 1000x900 | | 1 |
| 2 | 72.0411.07 | | parete posteriore | rear panel | 700 | 1 | 1 |
| | 72.0411.08 | | parete posteriore | rear panel | 800 | 1 | 1 |
| | 72.0411.09 | | parete posteriore | rear panel | 900 | 1 | 1 |
| | 72.0411.10 | | parete posteriore | rear panel | 1000 | 1 | 1 |
| 3 | 1 701 2633 | | vite | screw | M5x6 | 3 | 3 |
| 4 | 1 701 3061 | | dado | nut | M5 | 3 | 3 |
| 5 | 1 701 2622 | | vite | screw | M5x20 | 2 | 2 |
| 6 | 72.2704.07 | | tavola, ripiano | shelf | B = 700 | 1 | |
| | 72.2704.08 | | tavola, ripiano | shelf | B = 800 | 1 | |
| | 72.2704.09 | | tavola, ripiano | shelf | B = 900 | 1 | |
| | 72.2704.10 | | tavola, ripiano | shelf | B = 1000 | 1 | |
| | 72.2804.07 | | tavola, ripiano | shelf | B = 700 | | 1 |
| | 72.2804.08 | | tavola, ripiano | shelf | B = 800 | | 1 |
| | 72.2804.09 | | tavola, ripiano | shelf | B = 900 | | 1 |
| | 72.2804.10 | | tavola, ripiano | shelf | B = 1000 | | 1 |
| 7 | 705 040611 | | supporto | support | | 4 | 4 |
| 8 | 73.0079.07 | | tavola, ripiano | shelf | B = 700 | 1 | |
| | 73.0079.08 | | tavola, ripiano | shelf | B = 800 | 1 | |
| | 73.0079.09 | | tavola, ripiano | shelf | B = 900 | 1 | |
| | 73.0079.10 | | tavola, ripiano | shelf | B = 1000 | 1 | |
| | 73.0078.07 | | tavola, ripiano | shelf | B = 700 | | 1 |
| | 73.0078.08 | | tavola, ripiano | shelf | B = 800 | | 1 |
| | 73.0078.09 | | tavola, ripiano | shelf | B = 900 | | 1 |
| | 73.0078.10 | | tavola, ripiano | shelf | B = 1000 | | 1 |
| 9 | GR40 186.1 | | vite | screw | M6x15 | 12 | 12 |
| 10 | 1 701 2569 | | vite | screw | M6x16 | 4 | 4 |
| 11 | 1 701 5007 | | anello di molla | spring ring | M6 | 4 | 4 |
| 12 | 1 701 4003 | | disco | disk | Ø6.4x12.5x1.6 | 4 | 4 |
| 13 | 76 133.70 | | dado | nut | M6 | 4 | 4 |



| | | unità | unit | Large 72.3090.90 | | | | | |
|------|----------------|---------------------|-----------------------|------------------|-----|-----|------|-----|-----------|
| | | pannello di comando | control panel | 1 | | | | | |
| | | armadio riscaldante | hot cupboard | 17.12.96 | | | | | |
| Pos. | Produkt Nr. | Service Nr. | designazione | designation | 159 | 249 | 259 | 359 | Introd. |
| 1 | 72.3026 | | pannello di comando | control panel | 1 | | | | |
| | | | 131 destra | 131 right | | | | | |
| | 72.3027 | | pannello di comando | control panel | 1 | | | | |
| | | | 131 sinistra | 131 left | | | | | |
| | 72.2576 | | pannello di comando | control panel | | 1 | 1(*) | | (*) 09/97 |
| | | | 171 destra | 171 right | | | | | |
| | 72.2577 | | pannello di comando | control panel | | 1 | 1(*) | | (*) 09/97 |
| | | | 171 sinistra | 171 left | | | | | |
| | 72.2716 | | pannello di comando | control panel | | | 1 | 1 | |
| | | | 171 destra | 171 right | | | | | |
| | 72.2717 | | pannello di comando | control panel | | | 1 | 1 | |
| | | | 171 sinistra | 171 left | | | | | |
| 2 | 75.6506 | | lamiera | foil | 1 | | | | |
| | 72.6366 | | lamiera | foil | 1 | | | | 09.00 |
| | 75.6504 | | lamiera | foil | | 1 | 1 | 1 | |
| | 72.6364 | | lamiera | foil | 1 | | | | 09.00 |
| 3 | 712 844 006 | 1801 5427 | regolatore con | regulator with | 1 | 1 | 1 | 1 | |
| | | | interruttore aggiunto | series switch | | | | | |
| 4 | 72.2256.01 | 1900 6070 | manetta | knob | 1 | 1 | 1 | 1 | |
| 5 | 712 344 728 | 1901 6029 | molla | spring | 1 | 1 | 1 | 1 | |
| 6 | 1701 1006 | | vite | screw | 2 | 2 | 2 | 2 | |
| | | | | M4x8 | | | | | |
| 7 | 1201 1863.01 | | lampada d'esercizio | operation lamp | 1 | 1 | 1 | 1 | |
| | | | | 200/230V | | | | | |
| | 1201 1863.02 | | lampada d'esercizio | operation lamp | 1 | 1 | 1 | 1 | |
| | | | | 400/415/440V | | | | | |
| 8 | 72.2439 | | sostegno di lampada | lamp support | 1 | 1 | 1 | 1 | |
| 9 | 72.3127 | | copertura | cover | 1 | 1 | 1 | 1 | |
| 10 | 712 044 120.05 | 1101 8576 | dado | captire nut | 3 | 3 | 3 | 3 | |

| Doc. No. | Issue | IT | GB | Seite/ Page/ Pagina/ Page |
|----------------------------|---------|--|---|---------------------------|
| 72.3780.90a 72.3090.90a | 08/2000 | Unità | Unit | 1 |
| COMPACT LARGE | | pannello di comando armadio riscaldante igienico | control panel hot cupboard hygienic | |

| Pos. | Product No. | Service No. | Designazione | Designation | Type | 158 159 | 248 249 | 258 259 | Introduc- tion |
|------|----------------|-------------|---------------------------------|------------------------|------------|------------|------------|------------|-------------------|
| 1 | 72.6226 | | pannello di comando destra | control panel right | 100 | 1 | | | 08/2000 |
| | 72.6228 | | pannello di comando sinistra | control panel left | 100 | 1 | | | 08/2000 |
| | 72.6231 | | pannello di comando destra | control panel right | 200 | | 1 | | 08/2000 |
| | 72.6232 | | pannello di comando sinistra | control panel left | 200 | | 1 | | 08/2000 |
| | 72.6222 | | pannello di comando destra | control panel right | 170 | | | 1 | 08/2000 |
| | 72.6224 | | pannello di comando sinistra | control panel left | 170 | | | 1 | 08/2000 |
| 2 | 75.6521 | | lamina | foil | | 1 | | | 08/2000 |
| | 72.6373 | | lamina | foil | Electrolux | 1 | | | 09/2000 |
| | 75.6504 | | lamina | foil | | | 1 | 1 | 08/2000 |
| | 72.6364 | | lamina | foil | Electrolux | | 1 | 1 | 09.2000 |
| 3 | 712 344 039 | | interruttore | switch | | 1 | | | 08/2000 |
| | 712 844 006 | 1801 5427 | interruttore | switch | | | 1 | 1 | 08/2000 |
| 4 | 72.2256.01 | | manetta | knob | | 1 | 1 | 1 | 08/2000 |
| 5 | 712 344 728 | 1901 6029 | molla | spring | | 1 | 1 | 1 | 08/2000 |
| 6 | 1701 1006 | | per armadio | screw | M4x8 | 2 | 2 | 2 | 08/2000 |
| 7 | 72.4574.01 | | lampada d'esercizio | operating lamp | 200/230V | 1 | 1 | 1 | 08/2000 |
| | 72.4574.02 | | lampada d'esercizio | operating lamp | 400/415V | 1 | 1 | 1 | 08/2000 |
| 8 | 72.2439 | | sostegno | support | | 1 | 1 | 1 | 08/2000 |
| 9 | 72.3503 | | copertura | cover | | 1 | | | 08/2000 |
| | 72.3127 | | copertura | cover | | | 1 | 1 | 08/2000 |
| 10 | 712 044 120.05 | 1101 8576 | dado | nut | M5 | 3 | 3 | | 08/2000 |



| Doc. No. | Index | Issue | IT | GB | Seite/ Page/ Pagina/ Page |
|------------|-------|-------|-----------------------|-------------------|---------------------------|
| 72.3090.92 | 1 | 04.95 | Unità | Unit | 1 |
| | | | asta coniungimento | intermediate rail | |

| Pos. | Product No. | Service No. | Designazione | Designation | Type | | | Introduc-tion |
|------|----------------|-------------|---|---|---------|--|-----|---------------|
| 1-5 | 705 820 311 | | asta finale | end rail | 800 | | 1 | 06/82 |
| | 705 820 264 | | asta finale | end rail | 900 | | 1 | 06/82 |
| | 71.0575 | | asta finale | end rail | 1000 | | 1 | 06/82 |
| | 705 820 312 | | asta di congiungimento | intermediate rail | 800 | | 1 | 06/82 |
| | 705 820 265 | | asta di congiungimento | intermediate rail | 900 | | 1 | 06/82 |
| | 76.2142.01 | | asta di congiungimento con foro lunghezza destra 1000 lunghezza sinistra 900 | intermediate rail with cutout length right 1000 length left 900 | 1000 | | 1 | 08.98 |
| | 76.2142.02 | | asta di congiungimento con foro lunghezza destra 900 lunghezza sinistra 1000 | intermediate rail with cutout length right 900 length left 1000 | 1000 | | 1 | 08.98 |
| | 76.2143.01 | | asta di congiungimento senza foro apparecchio: lunghezza destra 1000 lunghezza sinistra 900 | intermediate rail without cutout appliance: length right 1000 length left 900 | 1000 | | 1 | 08.98 |
| | 76.2143.02 | | asta di congiungimento senza foro apparecchio: lunghezza destra 900 lunghezza sinistra 1000 | intermediate rail without cutout appliance: length right 900 length left 1000 | 1000 | | 1 | 08.98 |
| 2 | 705 040 074 | | cuneo | wedge | | | 3/6 | 06/82 |
| 3 | 1701 5047 | | anello di molla | spring ring | M6 | | 3/6 | 06/82 |
| 4 | 1701 3016 | 1101 8572 | dado | nut | M6/0.8d | | 3/6 | 06/82 |
| 5 | 712 044 120.06 | 1101 8577 | dado | nut | M6 | | 3/6 | 06/82 |



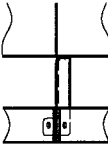
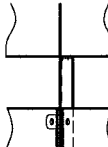
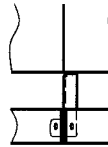
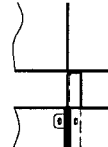
| | | unità | unit | | |
|------|-------------|----------------------------------|----------------------------|--------------------|--------------------|
| | | corrimano copertura superiore | range rail filler upper | Large 72.3090.94 | Compact 72.3780.94 |
| | | | | 1 | 10.4.1995 |
| Pos. | Produkt Nr. | Service Nr. | designation | designation | |
| 1 | 72.2200.04 | | corrimano stretto | thin range rail | 400 mm |
| | 72.2200.05 | | corrimano stretto | thin range rail | 500 mm |
| | 72.2200.06 | | corrimano stretto | thin range rail | 600 mm |
| | 72.2200.07 | | corrimano stretto | thin range rail | 700 mm |
| | 72.2200.08 | | corrimano stretto | thin range rail | 800 mm |
| | 72.2200.09 | | corrimano stretto | thin range rail | 900 mm |
| | 72.2200.10 | | corrimano stretto | thin range rail | 1000 mm |
| | 72.2200.11 | | corrimano stretto | thin range rail | 1100 mm |
| | 72.2200.12 | | corrimano stretto | thin range rail | 1200 mm |
| | 72.2200.13 | | corrimano stretto | thin range rail | 1300 mm |
| | 72.2200.14 | | corrimano stretto | thin range rail | 1400 mm |
| | 72.2200.15 | | corrimano stretto | thin range rail | 1500 mm |
| | 72.2200.16 | | corrimano stretto | thin range rail | 1600 mm |
| | 72.2200.17 | | corrimano stretto | thin range rail | 1700 mm |
| | 72.2200.18 | | corrimano stretto | thin range rail | 1800 mm |
| | 72.2200.19 | | corrimano stretto | thin range rail | 1900 mm |
| | 72.2200.20 | | corrimano stretto | thin range rail | 2000 mm |
| | 72.2200.21 | | corrimano stretto | thin range rail | 2100 mm |
| | 72.2200.22 | | corrimano stretto | thin range rail | 2200 mm |
| | 72.2200.23 | | corrimano stretto | thin range rail | 2300 mm |
| | 72.2200.24 | | corrimano stretto | thin range rail | 2400 mm |
| | 72.2200.25 | | corrimano stretto | thin range rail | 2500 mm |
| 2 | 72.2076.04 | | corrimano largo | large range rail | 400 mm |
| | 72.2076.05 | | corrimano largo | large range rail | 500 mm |
| | 72.2076.06 | | corrimano largo | large range rail | 600 mm |
| | 72.2076.07 | | corrimano largo | large range rail | 700 mm |
| | 72.2076.08 | | corrimano largo | large range rail | 800 mm |
| | 72.2076.09 | | corrimano largo | large range rail | 900 mm |
| | 72.2076.10 | | corrimano largo | large range rail | 1000 mm |
| | 72.2076.11 | | corrimano largo | large range rail | 1100 mm |
| | 72.2076.12 | | corrimano largo | large range rail | 1200 mm |
| | 72.2076.13 | | corrimano largo | large range rail e | 1300 mm |
| | 72.2076.14 | | corrimano largo | large range rail | 1400 mm |
| | 72.2076.15 | | corrimano largo | large range rail | 1500 mm |
| | 72.2076.16 | | corrimano largo | large range rail | 1600 mm |
| | 72.2076.17 | | corrimano largo | large range rail | 1700 mm |

Large 72.3090.94
Compact 72.3780.94
2
10.4.1995

| Pos. | Produkt Nr. | Service Nr. | unità designation | unit designation | Introd. |
|------|-------------|-------------|----------------------|---------------------|---------|
| 2 | 72.2076.18 | | corrimano largo | large range rail | 1800 mm |
| | 72.2076.19 | | corrimano largo | large range rail | 1900 mm |
| | 72.2076.20 | | corrimano largo | large range rail | 2000 mm |
| | 72.2076.21 | | corrimano largo | large range rail | 2100 mm |
| | 72.2076.22 | | corrimano largo | large range rail | 2200 mm |
| | 72.2076.23 | | corrimano largo | large range rail | 2300 mm |
| | 72.2076.24 | | corrimano largo | large range rail | 2400 mm |
| | 72.2076.25 | | corrimano largo | large range rail | 2500 mm |
| | 72.2076.26 | | corrimano largo | large range rail | 2600 mm |
| | 72.2076.27 | | corrimano largo | large range rail | 2700 mm |
| 3 | 72.2077 | 1900 6087 | pezzo finale | end part | |
| 4 | 72.2075 | 1900 6088 | pezzo finale | end part | |
| 5 | 72.2072 | R/HS | mensola | console | |
| 6 | 72.2073 | L/HS | mensola | console | |
| 7 | 72.2201 | R/HB | mensola | console | |
| | 72.6802.01 | R/HB | mensola marine | marine console | 05/01 |
| 8 | 72.2202 | L/HB | mensola | console acket | |
| | 72.6802.02 | L/HB | mensola marine | marine console | 05/01 |
| 9 | 1701 2600 | | vite | screw | M6x12 |
| 10 | 1701 2509 | | vite | screw | M5x12 |
| | | | spiegazione | explanation | |
| | | R | destra | right | |
| | | L | sinistra | left | |
| | | HB | corrimano largo | large range rail | |
| | | HS | corrimano stretto | rod thin | |

| Pos. | Produkt Nr. | Service Nr. | designation | designation | |
|------|-------------|-------------|------------------------|--------------------|--------------------|
| | | | unità | unit | Large 72.3090.94 |
| | | | corrimano | rod | Compact 72.3780.94 |
| | | | copertura superiore | filler upper | 3 |
| | | | | | 10.4.1995 |
| Pos. | Produkt Nr. | Service Nr. | designation | designation | |
| 12 | 72.3149 | | copertura superiore | filler upper kpl. | |
| | 72.2481 | | kpl. 200 con mensola | 200 with bracket | |
| | 72.2482 | | copertura superiore | filler upper kpl. | |
| | 72.2483 | | kpl. 400 con mensola | 400 with bracket | |
| | 72.2484 | | copertura superiore | filler upper kpl. | |
| | 72.2485 | | kpl. 500 con mensola | 500 with bracket | |
| | | | copertura superiore | filler upper kpl. | |
| | | | kpl. 800 con mensola | 800 with bracket | |
| | | | copertura superiore | filler upper kpl. | |
| | | | kpl. 1000 con mensola | 1000 with bracket | |
| | | | copertura superiore | filler upper kpl. | |
| | | | kpl. 1500 con mensola | 1500 with bracket | |
| 13 | 72.3151 | | copertura superiore | filler upper kpl. | |
| | 72.2476 | | kpl. 200 mensola dest. | 200 bracket right | |
| | 72.2477 | | copertura superiore | filler upper kpl. | |
| | 72.2478 | | kpl. 400 mensola dest. | 400 bracket right | |
| | 72.2479 | | copertura superiore | filler upper kpl. | |
| | 72.2480 | | kpl. 500 mensola dest. | 500 bracket right | |
| | | | copertura superiore | filler upper kpl. | |
| | | | kpl. 800 mensola dest. | 800 bracket right | |
| | | | copertura superiore | filler upper kpl. | |
| | | | kpl. 1000 mensola des. | 1000 bracket right | |
| | | | copertura superiore | filler upper kpl. | |
| | | | kpl. 1500 mensola des. | 1500 bracket right | |
| 14 | 72.3153 | | copertura superiore | filler upper kpl. | |
| | 72.2471 | | kpl. 200 mensola sin. | 200 bracket left | |
| | 72.2472 | | copertura superiore | filler upper kpl. | |
| | 72.2473 | | kpl. 400 mensola sin. | 400 bracket left | |
| | 72.2474 | | copertura superiore | filler upper kpl. | |
| | | | kpl. 500 mensola sin. | 500 bracket left | |
| | | | copertura superiore | filler upper kpl. | |
| | | | kpl. 800 mensola sin. | 800 bracket left | |
| | | | copertura superiore | filler upper kpl. | |
| | | | kpl. 1000 mensola sin. | 1000 bracket left | |

| | | | |
|--|--|--|--|
| HERDE / FOURNEAUX / CUCINE / RANGES | | ENDTISCH / TABLE ATTENANTE / TAVOLO LATERALE / END-SPREADER | |
| Herdstange / tablette / corrimano / range rail | | | |
| schmal / étroit / stretto / thin | breit / large / largo / large | schmal / étroit / stretto / thin | breit / large / largo / large |
|  72.2073 |  72.2072 |  72.2202 |  72.2201 |
|  72.3438 |  72.3440 |  72.3434 |  72.3436 |

| | | | |
|--|--|--|--|
| HERDE / FOURNEAUX / CUCINE / RANGES Mitte / médian / mezzo / middle | | ZWISCHENTISCH / TABLE INTERMÉDIAIRE / TAVOLO INTERMEDIO / CENTRE-SPREADER Mitte / médian / mezzo / middle | |
| Herdstange / tablette / corrimano / range rail | | | |
| schmal / étroit / stretto / thin | breit / large / largo / large | schmal / étroit / stretto / thin | breit / large / largo / large |
|  72.5878 |  72.5805 |  72.5880 |  72.5879 |

| | | | |
|--|---|---|---|
| HERDE / FOURNEAUX / CUCINE / RANGES ZWISCHENTISCH / TABLE INTERMÉDIAIRE / TAVOLO INTERMEDIO / CENTRE-SPREADER ENDTISCH / TABLE ATTENANTE / TAVOLO LATERALE / END-SPREADER Mitte / médian / mezzo / middle | | | |
| Herdstange / tablette / corrimano / range rail | | | |
| schmal / étroit / stretto / thin | | breit / large / largo / large | |
|  72.5878 |  72.5880 |  72.5805 |  72.5879 |

| | | | | | |
|---|---|---|---|--|---|
| ECKKONSOLE FÜR FRONT- UND SEITENSTANGEN / CONSOLE ANGLE POUR TABLETTES AVANT ET LATÉRAL / MENSOLA ANGOLO PER CORRIAMI DAVANTI E LATERALE / CORNER CONSOLE FOR FRONT AND SIDE RANGE RAIL | | | | | |
| schmal + schmal / étroit + étroit / stretto + stretto / thin + thin | | breit + breit / large + large / largo + largo / large + large | | breit + schmal / large + étroit / largo + stretto / large + thin | |
|  72.5259.01 |  72.5259.02 |  72.4356.01 |  72.4356.02 |  72.5258.01 |  72.5258.02 |

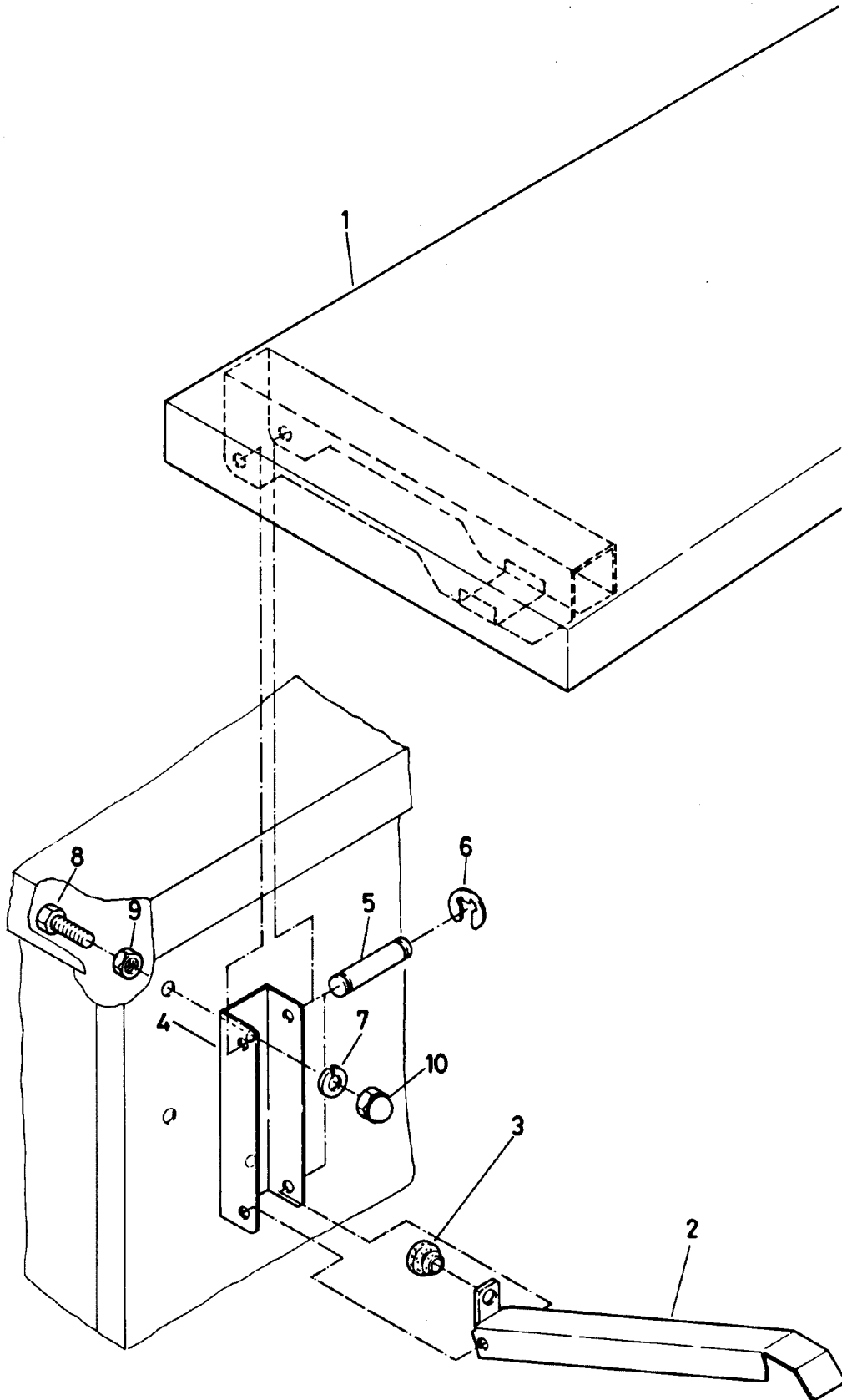
| | | | |
|---|---|---|---|
| ECKKONSOLE FÜR SEITENHERDSTANGE / CONSOLE ANGLE POUR TABLETTE LATÉRAL / MENSOLA ANGOLO PER CORRIAMO LATERALE / CORNER CONSOLE FOR SIDE RANGE RAIL | | | |
| schmal / étroit / stretto / thin | | breit / large / largo / large | |
|  72.5833.01 |  72.5833.02 |  72.5935.01 |  72.5935.02 |

| | | | | |
|---|------------------|---------------------|--------------------|--------------------|
| | Erklärung | explication | spiegazione | explanation |
| H | Herd | fourneau | cucina | range |
| Z | Zwischentisch | table intermédiaire | tavolo intermedio | centre-spreader |
| E | Endtisch | table attenante | tavolo laterale | end-spreader |

MARINE



| MARINE | | | unità asta antirollio | unit rolling rack | Compact 72.3780.95 | | | | Large 72.3090.95 | | |
|--------|-------------|-------------|--------------------------|----------------------|--------------------|-----|-----|-----|------------------|-----|-----|
| Pos. | Produkt Nr. | Service Nr. | designation | designation | 148 | 158 | 159 | 248 | 259 | 349 | 359 |
| | 72.4288 | | unita completo | complete set | 1 | | | | | | |
| | 72.5306 | | unita completo | complete set | | 1 | | | | | |
| | 72.4595 | | unita completo | complete set | | | 1 | | | | |
| | 72.3996 | | unita completo | complete set | | | | 1 | | | |
| | 705 820 304 | | unita completo | complete set | | | | | 1 | | |
| | 705 820 307 | | unita completo | complete set | | | | | | 1 | |
| | 705 820 305 | | unita completo | complete set | | | | | | | 1 |
| 1 | 705 040 432 | | bullone | bolt | 4 | 4 | 4 | 4 | 4 | 4 | 4 |
| 2 | 72.4286 | | asta | rod | 2 | | | | | | |
| | 72.4593 | | asta | rod | | 2 | | | | | |
| | 72.4593 | | asta | rod | | | 2 | | | | |
| | 705 030 490 | | asta | rod | | | | 2 | | | |
| | 705 030 474 | | asta | rod | | | | | 2 | | |
| | 705 030 492 | | asta | rod | | | | | | 2 | |
| | 705 030 478 | | asta | rod | | | | | | | 2 |
| 3 | 72.3994 | | asta | rod | 2 | 2 | | 2 | | | |
| | 705 030 475 | | asta | rod | | | 2 | | 2 | 2 | 2 |
| 4 | 72.3995 | | asta | rod | | | | 1 | | | |
| | 705 030 476 | | asta | rod | | | | | 1 | 2 | 2 |
| 5 | 72.4287 | | asta | rod | 2 | | | | | | |
| | 72.4594 | | asta | rod | | 2 | 2 | | | | |
| | 705 030 491 | | asta | rod | | | | 4 | | | |
| | 705 030 477 | | asta | rod | | | | | 4 | | |
| | 705 030 493 | | asta | rod | | | | | | 6 | |
| | 705 030 479 | | asta | rod | | | | | | | 6 |



Large 72.3090.96

1/1

10.4.1995

unità
ripiano ribaltabile

unit
lift up shelf

| Pos. | Produkt Nr. | Service Nr. | designation | designation | | |
|------|---------------|-------------|------------------|---------------|---------|---|
| 1 | 72.2301 | | tavola, ripiano | shelf | 300x900 | 1 |
| | 72.2302 | | tavola, ripiano | shelf | 400x900 | 1 |
| 2 | 705 030283 | | sostegno | stud | | 2 |
| 3 | 712 044960.02 | | tampone di gomma | rubber bumper | | 2 |
| 4 | 72.2300 | | placca | plate | | 2 |
| 5 | 75.9000 | | asse | shaft | | 4 |
| 6 | 75.9001.06 | | fusibile | fuse | | 8 |
| 7 | 1 701 5007 | | disco a molla | spring disk | | 4 |
| 8 | 1 701 2602 | | vite | screw | | 4 |
| 9 | 1 701 3016 | | dado | nut | M6 | 4 |
| 10 | 1 701 3053 | | dado | hat nut | M6 | 4 |

Compact 72.3780.97

Large 72.3090.97

19.02.96



| | | | | | | |
|--|--|--|------------------|--------------|-------------------------------------|------------------|
| | | | unità lampada | unit lamp | Large/Compact 72.3090.97/72.3780.97 | 1/1 19.2.1996 |
|--|--|--|------------------|--------------|-------------------------------------|------------------|

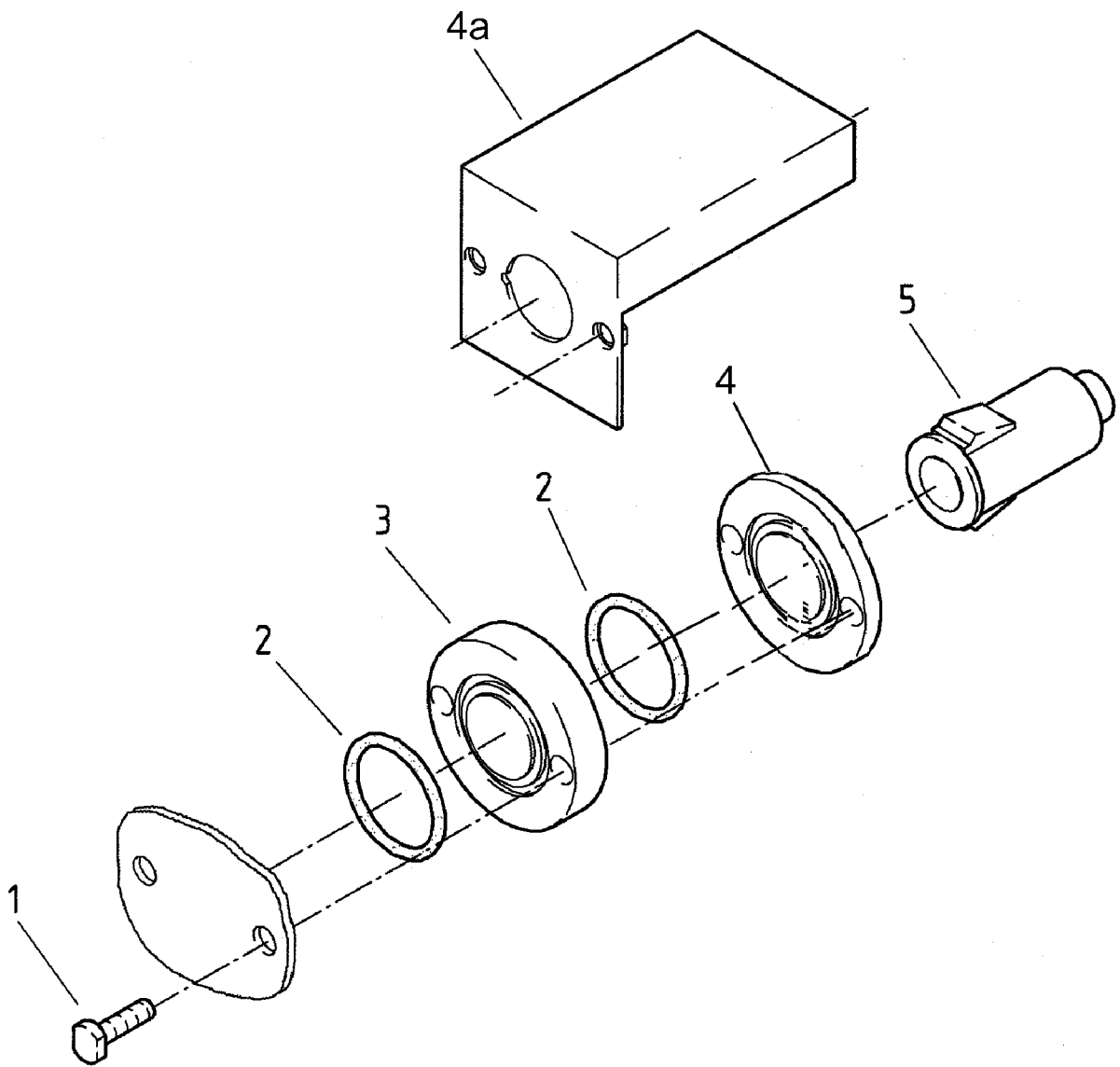
| Pos. | Produkt Nr. | Service Nr. | designation | designation | | Introd. |
|------|--------------|-------------|----------------|-------------|--------------|---------|
| 1 | 1201 1863.01 | 1800 2877 | lampada verde | lamp green | 200/230V | |
| | 1201 1863.02 | 1800 2876 | lampada verde | lamp green | 400/415/440V | |
| | 1201 1865.01 | | lampada bianca | lamp white | 200/230V | |
| | 1201 1865.02 | | lampada bianca | lamp white | 400/415/440V | |
| | 1201 1867 | | lampada rossa | lamp red | 230V | |

| | | | | | | |
|---|-----------|--|----------------|------------|------------|--|
| | | | MARINE | | | |
| 1 | 1201 1894 | | lampada verde | lamp green | 400 - 440V | |
| | 1201 1895 | | lampada bianca | lamp white | 400 - 440V | |
| | 1201 1905 | | lampada verde | lamp green | 200/230V | |
| | 1201 1906 | | lampada bianca | lamp white | 200/230V | |

| | | | | | | |
|--|--|--|------------------|--------------|-------------------------------------|------------------|
| | | | unità lampada | unit lamp | Large/Compact 72.3090.97/72.3780.97 | 1/1 12.9.1996 |
|--|--|--|------------------|--------------|-------------------------------------|------------------|

| Pos. | Produkt Nr. | Service Nr. | designation | designation | | Introd. |
|------|-------------|-------------|----------------|-------------|--------------|---------|
| 1 | 72.4574.01 | 1800 2877 | lampada verde | lamp green | 200/230V | |
| | 72.4574.02 | 1800 2876 | lampada verde | lamp green | 400/415/440V | |
| | 72.4574.05 | | lampada bianca | lamp white | 200/230V | |
| | 72.4574.06 | | lampada bianca | lamp white | 400/415/440V | |
| | 72.4574.09 | | lampada rossa | lamp red | 230V | |
| | 72.5938.01 | | lampada verde | lamp green | 12V ALCE | |

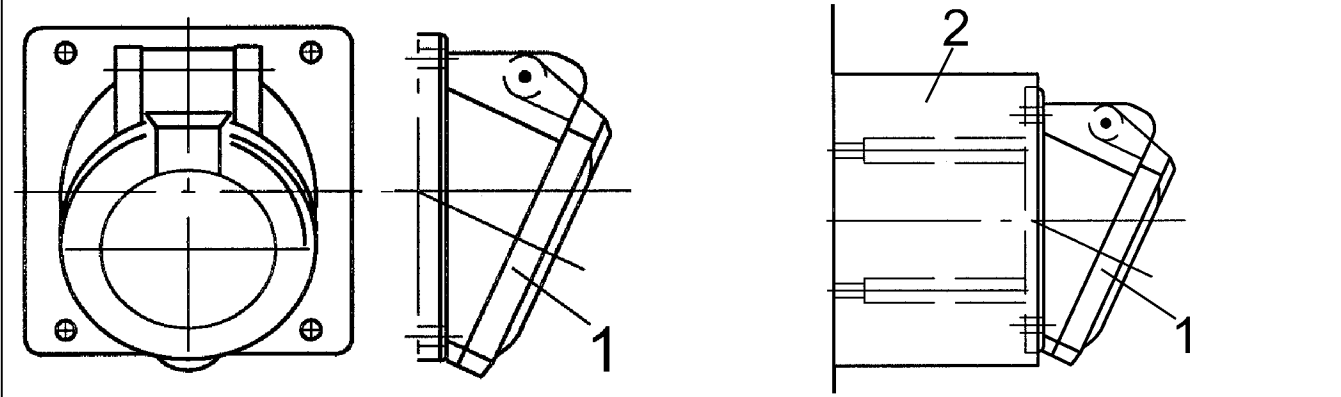
| | | | | | | |
|---|------------|-----------|----------------|------------|------------|--|
| | | | MARINE | | | |
| 1 | 72.4574.03 | | lampada verde | lamp green | 400 - 440V | |
| | 72.4574.07 | 1800 2874 | lampada bianca | lamp white | 400 - 440V | |
| | 72.4574.04 | | lampada verde | lamp green | 200/230V | |
| | 72.4574.08 | | lampada bianca | lamp white | 200/230V | |



| | | | unità lampada | unit lamp | Large 72.3090.97a | |
|-------|-------------|-------------|--|---|-------------------|-------|
| | | | | | | 1 |
| | | | | | | 04.98 |
| Pos. | Produkt Nr. | Service Nr. | designation | designation | | |
| 1 – 5 | 72.5604.01 | | lampada verde completo | lamp green complete | 400/440V | 1 |
| | 72.5604.03 | | lampada bianca completo | lamp white complete | 400/440V | 1 |
| 1 | 75.5006.01 | | vite | screw | M5x20 | 2 |
| 2 | 1201 2003 | | anello | o-ring | | 2 |
| 3 | 72.5456 | | calotta | calotte | | 1 |
| 4 | 72.6393 | | lamiera di sostegno | support sheet | | 1 |
| 4a | 72.5460.01 | | cappa di protezione installazione in sito | protection hood on site installation | | 1 |
| | 72.5460.02 | | cappa di protezione normale | protection hood normal | | 1 |
| 5 | 72.5464.01 | | lampada verde | lamp green | 400/440V | 1 |
| | 72.5464.03 | | lampada bianca | lamp white | 400/440V | 1 |
| 1115 | 1282 | | tubo isolante | insulation hose | | 2 |

72.3090.98

07.00



| Doc. No. | Issue | IT | GB | Seite/ Page/ Pagina/ Page |
|------------|-------|----------------------------|----------------|---------------------------|
| 72.3090.98 | 07/00 | Unità presa di corrente | Unit socket | 1 |

| Pos. | Product No. | Service No. | Designazione | Designation | Type | Introduction |
|------|-------------|-------------|------------------------|--------------|-------------|--------------|
| 1 | 1115 1443 | | presa di corrente EURO | socket EURO | 16A/3N/400V | 07/00 |
| | 1115 1444 | | presa di corrente EURO | socket EURO | 32A/3N/400V | 07/00 |
| | 1115 1579 | | presa di corrente CH | socket CH | 16A/1N/230V | 07/00 |
| | 1115 1578 | | presa di corrente CH | socket CH | 16A/3N/400V | 07/00 |
| 2 | 1115 1445 | | base EURO | housing EURO | | 07/00 |



Frontblende
Tôle frontale
Lamiera frontale
front panel

| | | | | | |
|-------------|-------------------|------------------|-------------|-------------------|-----------------------|
| Baugruppe | unité | unità | unit | Large and Compact | 72.3090.99/72.3780.99 |
| Frontblende | tôle frontale | lamiera frontale | front panel | | 1/19 |
| Oberbau | partie supérieure | parte superiore | upper part | | 1.3.1996 |

WIDTH 500 mm, with CUPBOARD or without LOWER PART

| Product No. | Service No. | Electric switches | Lamps | Lamps small | Gas switches | Piezo buttons | Valve | Introd. |
|-------------|-------------|-------------------|-------------|-------------|--------------|---------------|-------|---------|
| 72.2079.02 | | 1 centre | | | | | | |
| 72.2079.03 | | 1 centre | 1 right | | | | | |
| 72.2079.04 | | 2 symmetric | | | | | | |
| 72.2079.05 | | 2 symmetric | 1 centre | | | | | |
| 72.2079.06 | | 2 symmetric | 2 symmetric | | | | | |
| 72.2079.07 | | 3 symmetric | | | | | | |
| 72.2079.08 | | 1 centre | | 1 right | | | | 10/01 |
| 72.2079.09 | | 2 symmetric | | 2 symmetric | | | | 10/01 |
| 72.2079.20 | | | | | 1 left | | | |
| 72.2079.21 | | | | | 2 symmetric | | | |
| 72.2079.22 | | | | | 1 left | 1 left | | |
| 72.2079.23 | | | | | 2 symmetric | 2 symmetric | | |
| 72.2079.24 | | | | | 2 symmetric | 1 right | | |
| 72.2079.25 | | | | | 2 symmetric | 1 left | | |
| 72.2079.26 | | 2 symmetric | | | 2 symmetric | 2 symmetric | | |

| Baugruppe | unité | unità | unit | Large and Compact | 72.3090.99/72.3780.99 | | | |
|--|-------------------|-------------------|-------------|-------------------|-----------------------|-----------------|---------|---------|
| Frontblende | tôle frontale | lamiera frontale | front panel | | 2/19 | | | |
| Oberbau | partie supérieure | parte superiore | upper part | | 1.3.1996 | | | |
| WIDTH 800 mm, with CUPBOARD or without LOWER PART | | | | | | | | |
| Product No. | Service No. | Electric switches | Lamps | Lamps small | Gas switches | Piezo buttons | Remarks | Introd. |
| 72.2387.02 | | 1 centre | 1 right | | | | | |
| 72.2387.03 | | 2 symmetric | | | | | | |
| 72.2387.04 | | 2 symmetric | 1 centre | | | | | |
| 72.2387.05 | | 4 symmetric | | | | | | |
| 72.2387.06 | | 4 symmetric | 1 right | | | | | |
| 72.2387.07 | | 2 left | | | | | | |
| 72.2387.08 | | 4 symmetric | 4 symmetric | | | | | |
| 72.2387.09 | | 2 right | | | | | | |
| 72.2387.10 | | 1 centre | | | | | | |
| 72.2387.11 | | 2 symmetric | 2 symmetric | | | | | |
| 72.2387.12 | | 2 right | 2 right | | | | | |
| 72.2387.13 | | 2 symmetric | | 2 symmetric | | | | 10/01 |
| 72.2387.14 | | 4 symmetric | | 4 symmetric | | | | 10/01 |
| 72.2387.20 | | | | | 4 symmetric | | | |
| 72.2387.21 | | | | | 1 left, 1 right | 1 right | | |
| 72.2387.22 | | | | | 1 left, 1 right | 1 left | | |
| 72.2387.23 | | | | | 4 symmetric | 2 right | | |
| 72.2387.24 | | | | | 1 left, 1 right | | | |
| 72.2387.25 | | | | | 4 symmetric | 2 right, 1 left | | |
| 72.2387.26 | | | | | 4 symmetric | 1 right, 1 left | | |
| 72.2387.27 | | | | | 1 left, 1 right | 1 left, 1 right | | |
| 72.2387.28 | | | | | 4 symmetric | 2 left | | |
| 72.2387.29 | | | | | 4 symmetric | 4 symmetric | | |
| 72.2387.30 | | | | | 1 left | | | |
| 72.2387.31 | | | | | 1 right | | | |
| 72.2387.32 | | | | | 2 left | | | |
| 72.2387.33 | | | | | 4 symmetric | 1 right | | |
| 72.2387.34 | | | | | 2 right | | | |
| 72.2387.40 | | 1 left | | | 1 right | | | |
| 72.2387.41 | | 1 right | | | 1 left | | | |
| 72.2387.42 | | 2 right | | | 2 left | | | |
| 72.2387.43 | | 1 left | 1 left | | 1 right | | | |
| 72.2387.44 | | 2 left | | | 2 right | | | |

| | | | | | |
|-------------|-------------------|------------------|-------------|-------------------|-----------------------|
| Baugruppe | unité | unità | unit | Large and Compact | 72.3090.99/72.3780.99 |
| Frontblende | tôle frontale | lamiera frontale | front panel | | 3/19 |
| Oberbau | partie supérieure | parte superiore | upper part | | 1.3.1996 |

WIDTH 1000 mm, with CUPBOARD or without LOWER PART

| Product No. | Service No. | Electric switches | Lamps | Lamps small | Gas switches | Piezo buttons | Remarks | Introduction |
|-------------|-------------|-------------------|-----------------|-------------|-----------------|-----------------|---------|--------------|
| 72.2389.02 | | 1 right | 1 right | | | | | |
| 72.2389.03 | | 2 symmetric | | | | | | |
| 72.2389.04 | | 1 left, 1 right | 1 left, 1 right | | | | | |
| 72.2389.05 | | 4 symmetric | | | | | | |
| 72.2389.06 | | 2 symmetric | 1 left | | | | | |
| 72.2389.07 | | 4 symmetric | 1 left | | | | | |
| 72.2389.08 | | 1 left | 1 left | | | | | |
| 72.2389.09 | | 4 symmetric | 4 symmetric | | | | | |
| 72.2389.10 | | 2 symmetric | 1 right | | | | | |
| 72.2389.11 | | 1 right | | | | | | |
| 72.2389.12 | | 4 symmetric | 2 right, 1 left | | | | | |
| 72.2389.13 | | 1 left | | | | | | |
| 72.2389.14 | | 2 left, 1 right | 1 right | | | | | |
| 72.2389.15 | | 2 right, 1 left | 1 left | | | | | |
| 72.2389.16 | | 1 left, 2 right | 2 right | | | | | |
| 72.2389.17 | | 2 left | | | | | | |
| 72.2389.18 | | 2 left | 2 left | | | | | |
| 72.2389.19 | | 4 symmetric | 2 right | | | | | |
| 72.2389.60 | | 2 left, 1 right | 2 left, 1 right | | | | | |
| 72.2389.61 | | 4 symmetric | 1 right | | | | | |
| 72.2389.62 | | 1 left, 2 right | 1 left, 2 right | | | | | |
| 72.2389.63 | | 1 left, 2 right | | | 1 left, 1 right | | | |
| 72.2389.64 | | 4 symmetric | 2 left | | | | | |
| 72.2389.20 | | | | | 4 symmetric | | | |
| 72.2389.21 | | | | | 1 left, 1 right | | | |
| 72.2389.22 | | | | | 1 right | | | |
| 72.2389.23 | | | | | 4 symmetric | 2 right | | |
| 72.2389.24 | | | | | 4 symmetric | 1 left | | |
| 72.2389.25 | | | | | 4 symmetric | 2 left | | |
| 72.2389.26 | | | | | 1 left, 1 right | 1 right | | |
| 72.2389.27 | | | | | 1 left, 1 right | 1 left | | |
| 72.2389.28 | | | | | 4 symmetric | 4 symmetric | | |
| 72.2389.29 | | | | | 1 left, 1 right | 1 right | | |
| 72.2389.30 | | | | | 1 left | | | |
| 72.2389.31 | | | | | 4 symmetric | 1 left, 1 right | | |
| 72.2389.32 | | | | | 1 right | 1 right | | |
| 72.2389.33 | | | | | 2 right | | | 12/01 |
| 72.2389.34 | | | | | 2 left | | | 12/01 |

| | | | | | |
|-------------|-------------------|------------------|-------------|-------------------|-----------------------|
| Baugruppe | unité | unità | unit | Large and Compact | 72.3090.99/72.3780.99 |
| Frontblende | tôle frontale | lamiera frontale | front panel | | 4/19 |
| Oberbau | partie supérieure | parte superiore | upper part | | 1.3.1996 |

WIDTH 1000 mm, with CUPBOARD or without LOWER PART

| Product No. | Service No. | Electric switches | Lamps | Lamps small | Gas switches | Piezo buttons | Remarks | Introd. |
|-------------|-------------|-------------------|---------|-------------|-----------------|---------------|---------|---------|
| 72.2389.40 | | 1 left | | | 1 right | | | |
| 72.2389.41 | | 1 right | | | 1 left | | | |
| 72.2389.42 | | 2 left | 2 left | | 1 right | | | |
| 72.2389.43 | | | | | 1 left | | | |
| 72.2389.44 | | 1 right | 1 right | | 1 left | | | |
| 72.2389.45 | | 1 left | 1 left | | 2 right | | | |
| 72.2389.46 | | 2 left | | | 2 right | | | |
| 72.2389.47 | | 2 right | | | 2 left | | | |
| 72.2389.48 | | 1 left | 1 left | | 1 right | | | |
| 72.2389.49 | | 2 left | | | 2 left, 2 right | | | |
| 72.2389.50 | | 2 right | | | 2 left, 2 right | | | |
| 72.2389.51 | | 1 right | 1 right | | 2 left | | | |
| 72.2389.52 | | 1 left | 1 left | | 2 right | 2 right | | |
| 72.2389.53 | | 1 right | 1 right | | 1 left | 1 left | | |

| | | | | | | | | |
|------------|--|-----------------|---------|-----------------|--|--|--|-------|
| 72.6922.01 | | 1 right | | 1 right | | | | 10/01 |
| 72.6922.02 | | 1 left | | 1 left | | | | 10/01 |
| 72.6922.03 | | 2 symmetric | | 2 symmetric | | | | 10/01 |
| 72.6922.04 | | 2 right | | 2 right | | | | 10/01 |
| 72.6922.05 | | 2 left | | 2 left | | | | 10/01 |
| 72.6922.06 | | 1 left, 2 right | | 1 left, 2 right | | | | 10/01 |
| 72.6922.07 | | 2 left, 1 right | | 2 left, 1 right | | | | 10/01 |
| 72.6922.08 | | 4 symmetric | | 4 symmetric | | | | 10/01 |
| 72.6922.11 | | 2 symmetric | 1 left | 1 right | | | | 10/01 |
| 72.6922.12 | | 2 symmetric | 1 right | 1 left | | | | 10/01 |
| 72.6922.13 | | 2 right, 1 left | 1 left | 2 right | | | | 10/01 |
| 72.6922.14 | | 1 right, 2 left | 1 right | 1 left | | | | 10/01 |
| 72.6922.15 | | 1 right, 2 left | 2 left | 1 right | | | | 10/01 |
| 72.6922.16 | | 2 right, 1 left | 2 right | 1 left | | | | 10/01 |
| 72.6922.17 | | 4 symmetric | 2 left | 2 right | | | | 10/01 |
| 72.6922.18 | | 4 symmetric | 2 right | 2 left | | | | 10/01 |

| | | | | | |
|-------------|-------------------|------------------|-------------|-------------------|-----------------------|
| Baugruppe | unité | unità | unit | Large and Compact | 72.3090.99/72.3780.99 |
| Frontblende | tôle frontale | lamiera frontale | front panel | | 5/19 |
| Oberbau | partie supérieure | parte superiore | upper part | | 1.3.1996 |

WIDTH 1000 mm, with CUPBOARD or without LOWER PART

| Product No. | Service No. | Electric switches | Lamps | Lamps small | Gas switches | Piezo buttons | Remarks | Introd. |
|-------------|-------------|-------------------|-------|-------------|--------------|---------------|---------|---------|
| 72.6922.21 | | 1 right | | 1 right | 1 left | | | 10/01 |
| 72.6922.22 | | 1 left | | 1 left | 1right | | | 10/01 |
| 72.6922.23 | | 2 right | | 2 right | 1 left | | | 10/01 |
| 72.6922.24 | | 2 left | | 2 left | 1right | | | 10/01 |
| 72.6922.25 | | 1 right | | 1 right | 2 left | | | 10/01 |
| 72.6922.26 | | 1 left | | 1 left | 2 right | | | 10/01 |
| 72.6922.27 | | 2 right | | 2 right | 2 left | | | 10/01 |
| 72.6922.28 | | 2 left | | 2 left | 2 right | | | 10/01 |
| 72.6922.41 | | 4 symmetric | | 2 right | | | | 10/01 |
| 72.6922.42 | | 4 symmetric | | 2 left | | | | 10/01 |
| 72.6922.43 | | 2 right, 1 left | | 2 right | | | | 10/01 |
| 72.6922.44 | | 1 right, 2 left | | 2 left | | | | 10/01 |

| Product No. | Service No. | Electric switches | Lamps | Lamps small | Gas switches | Piezo buttons | Remarks | Introduction |
|---|-------------|-------------------|------------------|-------------|---|-----------------|---------|--------------|
| Baugruppe | | unité | unità | unit | Large and Compact 72.3090.99/72.3780.99 | | | |
| Frontblende | | tôle frontale | lamiera frontale | front panel | 6/19 | | | |
| Oberbau | | partie supérieure | parte superiore | upper part | 1.3.1996 | | | |
| WIDTH 1000 mm, FRONT SIDE, with BAKING OVEN (not valid for Marine) | | | | | | | | |
| 72.2078.02 | | 1 right | 1 right | | | | | |
| 72.2078.03 | | 2 symmetric | | | | | | |
| 72.2078.04 | | 2 symmetric | 2 symmetric | | | | | |
| 72.2078.05 | | 4 symmetric | | | | | | |
| 72.2078.06 | | 2 symmetric | 1 left | | | | | |
| 72.2078.07 | | 4 symmetric | 1 left | | | | | |
| 72.2078.08 | | 2 symmetric | 1 right | | | | | |
| 72.2078.09 | | 2 left, 1 right | 2 left, 1 right | | | | | |
| 72.2078.10 | | 4 symmetric | 2 right | | | | | |
| 72.2078.11 | | 4 symmetric | 2 left | | | | | |
| 72.2078.12 | | 1 left | 1 left | | | | | |
| 72.2078.13 | | 1 left, 2 right | 2 right | | | | | |
| 72.2078.14 | | 4 symmetric | 4 symmetric | | | | | |
| 72.2078.15 | | 1 left, 2 right | 1 left | | | | | |
| 72.2078.16 | | 2 left, 1 right | 1 right | | | | | |
| 72.2078.17 | | 2 left | 2 left | | | | | |
| 72.2078.18 | | 2 left | 1 left | | | | | |
| 72.2078.19 | | 1 left, 2 right | 1 left, 2 right | | | | | |
| 72.2078.80 | | 2 left, 1 right | 1 left, 1 right | | | | | |
| 72.2078.81 | | 2 left, 1 right | 2 left | | | | | |
| 72.2078.82 | | 2 left | | | | | | |
| 72.2078.83 | | 1 right | | | | | | |
| 72.2078.84 | | 1 left | | | | | | |
| 72.2078.85 | | 2 right | 2 right | | | | | |
| 72.2078.86 | | 4 symmetric | 1 left, 1 right | | | | | |
| 72.2078.87 | | 2 right | | | | | | |
| 72.2078.20 | | | | | 4 symmetric | | | |
| 72.2078.21 | | | | | 1 left, 1 right | | | |
| 72.2078.22 | | | | | 4 symmetric | 2 left | | |
| 72.2078.23 | | | | | 4 symmetric | 1 left, 1 right | | |
| 72.2078.24 | | | | | 1 left, 1 right | 1 left | | |
| 72.2078.25 | | | | | 4 symmetric | 1 right | | |
| 72.2078.26 | | | | | 4 symmetric | 2 right | | |
| 72.2078.27 | | | | | 4 symmetric | 1 left | | |
| 72.2078.29 | | | | | 1 left, 1 right | 1 right | | |
| 72.2078.30 | | | | | 2 right | | | 12/01 |
| 72.2078.31 | | | | | 2 left | | | 12/01 |

| | | | | | |
|-------------|-------------------|------------------|-------------|-------------------|-----------------------|
| Baugruppe | unité | unità | unit | Large and Compact | 72.3090.99/72.3780.99 |
| Frontblende | tôle frontale | lamiera frontale | front panel | | 7/19 |
| Oberbau | partie supérieure | parte superiore | upper part | | 1.3.1996 |

WIDTH 1000 mm, FRONT SIDE, with BAKING OVEN (not valid for Marine)

| Product No. | Service No. | Electric switches | Lamps | Lamps small | Gas switches | Piezo buttons | Remarks | Introd. |
|-------------|-------------|-------------------|---------|-----------------|-----------------|---------------|---------|---------|
| 72.2078.40 | | 2 left | 2 left | | 2 right | | | |
| 72.2078.41 | | 1 right | 1 right | | 2 left | | | |
| 72.2078.42 | | 2 right | | | 2 left | | | |
| 72.2078.43 | | 1 left | | | 1 right | | | |
| 72.2078.44 | | 2 left | | | 2 right | | | |
| 72.2078.45 | | 1 right | | | 1 left | | | |
| 72.2078.46 | | 2 right | | | 2 left, 2 right | | | |
| 72.2078.47 | | 1 right | | | 2 left, 1 right | | | |
| 72.6923.01 | | 1 right | | 1 right | | | | 10/01 |
| 72.6923.02 | | 1 left | | 1 left | | | | 10/01 |
| 72.6923.03 | | 2 symmetric | | 2 symmetric | | | | 10/01 |
| 72.6923.04 | | 2 right | | 2 right | | | | 10/01 |
| 72.6923.05 | | 2 left | | 2 left | | | | 10/01 |
| 72.6923.06 | | 2 right, 1 left | | 2 right, 1 left | | | | 10/01 |
| 72.6923.07 | | 1 right, 2 left | | 1 right, 2 left | | | | 10/01 |
| 72.6923.08 | | 2 right, 2 left | | 2 right, 2 left | | | | 10/01 |
| 72.6923.11 | | 2 symmetric | 1 left | 1 right | | | | 10/01 |
| 72.6923.12 | | 2 Symmetric | 1 right | 1 left | | | | 10/01 |
| 72.6923.13 | | 2 right, 1 left | 1 left | 2 right | | | | 10/01 |
| 72.6923.14 | | 1 right, 2 left | 1 right | 2 left | | | | 10/01 |
| 72.6923.15 | | 1 right, 2 left | 2 left | 1 right | | | | 10/01 |
| 72.6923.16 | | 2 right, 1 left | 2 right | 1 left | | | | 10/01 |
| 72.6923.17 | | 4 symmetric | 2 left | 2 right | | | | 10/01 |
| 72.6923.18 | | 4 symmetric | 2 right | 2 left | | | | 10/01 |
| 72.6923.21 | | 1 right, 1 left | | 1 right | | | | 10/01 |
| 72.6923.22 | | 1 right, 1 left | | 1 left | | | | 10/01 |
| 72.6923.23 | | 2 right, 1 left | | 2 right | | | | 10/01 |
| 72.6923.24 | | 1 right, 2 left | | 2 left | | | | 10/01 |
| 72.6923.25 | | 1 right, 2 left | | 1 right | | | | 10/01 |
| 72.6923.26 | | 2 right, 1 left | | 1 left | | | | 10/01 |
| 72.6923.27 | | 2 right, 2 left | | 2 right | | | | 10/01 |
| 72.6923.28 | | 2 right, 2 left | | 2 left | | | | 10/01 |

| | | | | | |
|-------------|-------------------|------------------|-------------|-------------------|-----------------------|
| Baugruppe | unité | unità | unit | Large and Compact | 72.3090.99/72.3780.99 |
| Frontblende | tôle frontale | lamiera frontale | front panel | | 8/19 |
| Oberbau | partie supérieure | parte superiore | upper part | | 1.3.1996 |

WIDTH 1000 mm, HOT CABINET with sliding doors

| Product No. | Service No. | Electric switches | Lamps | Gas switches | Piezo buttons | Remarks |
|-------------|-------------|-------------------|-----------------|-----------------|---------------|----------------------------|
| 72.2488.02 | | 1 right | 1 right | | | |
| 72.2488.03 | | 2 symmetric | | | | |
| 72.2488.04 | | 1 left, 1 right | 1 left, 1 right | | | |
| 72.2488.05 | | 4 symmetric | | | | |
| 72.2488.06 | | 2 symmetric | 1 left | | | |
| 72.2488.07 | | 4 symmetric | 1 left | | | |
| 72.2488.08 | | 1 left | 1 left | | | |
| 72.2488.09 | | 1 left | | | | |
| 72.2488.10 | | 4 symmetric | 1 right | | | |
| 72.2488.11 | | 1 left, 2 right | 1 left, 2 right | | | |
| 72.2488.12 | | 2 symmetric | 1 right | | | |
| 72.2488.13 | | 1 right | | | | |
| 72.2488.14 | | 1 left, 2 right | 1 left | | | |
| 72.2488.15 | | 4 symmetric | 4 symmetric | | | |
| 72.2488.16 | | 2 left, 1 right | 1 right | | | |
| 72.2488.17 | | 2 left, 1 right | 2 left, 1 right | | | |
| 72.2488.18 | | 4 symmetric | 2 right | | | |
| 72.2488.20 | | | | 4 symmetric | | |
| 72.2488.21 | | | | 1 left, 1 right | | |
| 72.2488.22 | | | | 1 left | | |
| 72.2488.23 | | | | 1 right | | |
| 72.2488.24 | | | | 4 symmetric | 4 symmetric | |
| 72.2488.25 | | | | 1 left, 1 right | 1 left | |
| 72.2488.26 | | | | 2 symmetric | 1 right | |
| 72.2488.40 | | 1 left | | 1 right | | |
| 72.2488.41 | | 1 right | | 1 left | | |
| 72.2488.42 | | 1 left | 1 left | 2 right | | |
| 72.2488.43 | | 1 right | 1 right | 2 left | | |
| 72.2488.44 | | 1 left | 1 left | 2 right | | Bain marie with drain cock |
| 72.2488.45 | | 1 right | 1 right | 2 left | | Bain marie with drain cock |
| 72.2488.46 | | 1 left | 1 left | 2 right | | |
| 72.2488.47 | | 1 left | 1 left | 2 right | 2 right | |
| 72.2488.48 | | 1 left | 1 left | 1 right | | |
| 72.2488.49 | | 1 right | 1 right | 1 left | | |
| 72.2488.50 | | 2 left | | 2 right | | |

| | | | | |
|-------------|-------------------|------------------|-------------|------------------|
| Baugruppe | unité | unità | unit | Large 72.3090.99 |
| Frontblende | tôle frontale | lamiera frontale | front panel | 9/19 |
| Oberbau | partie supérieure | parte superiore | upper part | 1.3.1996 |

WIDTH 1500 mm, with CUPBOARD or without LOWER PART

| Product No. | Service No. | Electric switches | Lamps | Lamps small | Gas switches | Piezo buttons | Remarks | Introd. |
|-------------|-------------|---------------------------|---------------------------|---------------------------|-----------------|-----------------|---------|---------|
| 72.2417.02 | | 3 symmetric | | | | | | |
| 72.2417.03 | | 3 symmetric | 1 right | | | | | |
| 72.2417.04 | | 6 symmetric | | | | | | |
| 72.2417.05 | | 6 symmetric | 1 centre | | | | | |
| 72.2417.06 | | 1 left, 3 right | 1 centre | | | | | |
| 72.2417.07 | | 3 left, 2 right | 1 right | | | | | |
| 72.2417.08 | | 3 symmetric | 1 right | | | | | |
| 72.2417.09 | | 1 centre, 1 right | | | | | | |
| 72.2417.10 | | 2 left, 3 right | 1 left, 1 centre, 2 right | | | | | |
| 72.2417.11 | | 3 left, 2 right | 1 left, 1 right | | | | | |
| 72.2417.12 | | 3 symmetric | 1 left | | | | | |
| 72.2417.13 | | 1 left, 1 centre | | | | | | |
| 72.2417.20 | | | | | 6 symmetric | 1 left, 2 right | | |
| 72.2417.21 | | | | | 6 symmetric | 2 right | | |
| 72.2417.22 | | | | | 2 left, 1 right | | | |
| 72.2417.23 | | | | | 6 symmetric | | | |
| 72.2417.24 | | | | | 6 symmetric | 1 left, 1 right | | |
| 72.2417.25 | | | | | 2 left, 1 right | 1 left | | |
| 72.2417.26 | | | | | 2 left, 1 right | 1 right | | |
| 72.2417.27 | | | | | 2 left, 1 right | 1 left | | |
| 72.2417.40 | | 1 left, 1 centre | | | 1 right | | | |
| 72.2417.41 | | 1 right, 1 centre | | | 1 left | | | |
| 72.6924.01 | | 6 symmetric | | 3 right, 3 left | | | | 10/01 |
| 72.6924.02 | | 1 right, 1 centre, 1 left | | 1 right, 1 centre, 1 left | | | | 10/01 |
| 72.6924.03 | | 2 right, 3 left | 1 right | 1 right, 3 left | | | | 10/01 |
| 72.6924.04 | | 1 right, 1 centre, 1 left | 1 right | 1 centre, 1 left | | | | 10/01 |
| 72.6924.05 | | 1 right, 1 centre | | 1 right, 1 centre | | | | 10/01 |
| 72.6924.06 | | 3 right, 2 left | 1 left | 3 right, 1 left | | | | 10/01 |
| 72.6924.07 | | 1 right, 1 centre, 1 left | 1 left | 1 right, 1 centre | | | | 10/01 |
| 72.6924.08 | | 1 centre, 1 left | | 1 centre, 1 left | | | | 10/01 |
| 72.6924.09 | | 3 right, 2 left | 2 right, 1 left | 1 right, 1 left | | | | 10/01 |
| 72.6924.10 | | 3 right, 1 left | | 1 right, 1 left | | | | 10/01 |
| 72.6924.11 | | 1 right, 3 left | | 1 right, 3 left | 2 right | | | 10/01 |
| 72.6924.12 | | 1 centre, 1 left | | 1 centre, 1 left | 1 right | | | 10/01 |
| 72.6924.13 | | 3 right, 1 left | | 3 right, 1 left | 2 left | | | 10/01 |
| 72.6924.14 | | 1 right, 1 centre, 1 left | | 1 centre, 1 left | | | | 10/01 |

| Baugruppe | unité | unità | unit | Large 72.3090.99 | | | |
|---|-------------------|---------------------------|-----------------|---------------------------|--------------|---------------|-----------------|
| Frontblende | tôle frontale | lamiera frontale | front panel | 10/19 | | | |
| Oberbau | partie supérieure | parte superiore | upper part | 1.3.1996 | | | |
| WIDTH 1500 mm, FRONT SIDE, BAKING OVEN (left), CUPBOARD (right) | | | | | | | |
| Product No. | Service No. | Electric switches | Lamps | Lamps small | Gas switches | Piezo buttons | Remarks Introd. |
| 72.2984.02 | | 3 symmetric | | | | | |
| 72.2984.03 | | 3 symmetric | 1 right | | | | |
| 72.2984.04 | | 6 symmetric | | | | | |
| 72.2984.05 | | 6 symmetric | 1 centre | | | | |
| 72.2984.06 | | 6 symmetric | 1 left | | | | |
| 72.2984.07 | | 1 left, 1 centre, 2 right | 1 right | | | | |
| 72.2984.20 | | 6 symmetric | 1 left, 2 right | | | | |
| 72.2984.21 | | 2 left | 1 right | | | | |
| 72.2984.22 | | 2 left, 1 right | 1 right | | | | |
| 72.2984.23 | | 2 left, 1 right | 1 left | | | | |
| 72.2984.24 | | 6 symmetric | | | | | |
| 72.2984.40 | | 3 left, 1 right | | | 2 right | | |
| 72.2984.41 | | 3 right, 1 left | | | 2 left | | |
| 72.2984.42 | | 1 centre, 1 right | | | 1 left | | |
| 72.2984.43 | | 1 centre, 1 left | | | 1 right | | |
| 72.6931.01 | | 6 symmetric | | 6 symmetric | | | 10/01 |
| 72.6931.02 | | 1 right, 1 centre, 1 left | | 1 right, 1 centre, 1 left | | | 10/01 |
| 72.6931.03 | | 2 right, 3 left | 1 right | 1 right, 3 left | | | 10/01 |
| 72.6931.04 | | 1 right, 1 centre, 1 left | 1 right | 1 centre, 1 left | | | 10/01 |
| 72.6931.04 | | 1 right, 1 centre, 1 left | 1 right | 1 centre, 1 left | | | 10/01 |
| 72.6931.05 | | 1 right, 1 centre | | 1 right, 1 centre | | | 10/01 |
| 72.6931.06 | | 3 right, 2 left | 1 left | 3 right, 1 left | | | 10/01 |
| 72.6931.07 | | 1 right, 1 centre, 1 left | 1 left | 1 right, 1 centre | | | 10/01 |
| 72.6931.08 | | 1 centre, 1 left | | 1 centre, 1 left | | | 10/01 |
| 72.6931.11 | | 1 right, 3 left | | 1 right, 3 left | 2 right | | 10/01 |
| 72.6931.12 | | 1 centre, 1 left | | 1 centre, 1 left | 1 right | | 10/01 |
| 72.6931.13 | | 3 right, 1 left | | 3 right, 1 left | 2 left | | 10/01 |
| 72.6931.14 | | 1 right, 1 centre, 1 left | | 1 right, 1 centre | | | 10/01 |

F

| | | | | |
|-------------|-------------------|------------------|-------------|------------------|
| Baugruppe | unité | unità | unit | Large 72.3090.99 |
| Frontblende | tôle frontale | lamiera frontale | front panel | 11/19 |
| Oberbau | partie supérieure | parte superiore | upper part | 1.3.1996 |

WIDTH 1500 mm, REAR SIDE, BAKING OVEN (left), CUPBOARD (right)

| Product No. | Service No. | Electric switches | Lamps | Lamps small | Gas switches | Piezo buttons | Remarks | Introd. |
|-------------|-------------|---------------------------|----------|---------------------------|-----------------|---------------|-------------------------|---------|
| 72.2985.02 | | 3 symmetric | | | | | | |
| 72.2985.03 | | 3 symmetric | 1 right | | | | | |
| 72.2985.04 | | 6 symmetric | | | | | | |
| 72.2985.05 | | 6 symmetric | 1 centre | | | | | |
| 72.2985.06 | | 1 centre, 1 right | | | | | | |
| 72.2985.20 | | | | | 2 left, 1 right | | | |
| 72.2985.21 | | | | | 2 left, 1 right | 1 left | Piezo but. extreme left | |
| 72.2985.22 | | | | | 2 left, 1 right | 1 left | Piezo but. between | |
| 72.2985.40 | | 3 left, 1 right | | | 2 right | | | |
| 72.2985.41 | | 1 left, 3 right | | | 2 left | | | |
| 72.2985.42 | | 1 left, 1 centre | | | 1 right | | | |
| 72.2985.43 | | 1 right, 1 centre | | | 1 left | | | |
| 72.6932.01 | | 6 symmetric | | 6 symmetric | | | | 10/01 |
| 72.6932.02 | | 1 right, 1 centre, 1 left | | 1 right, 1 centre, 1 left | | | | 10/01 |
| 72.6932.03 | | 2 right, 3 left | 1 right | 1 right, 3 left | | | | 10/01 |
| 72.6932.04 | | 1 right, 1 centre, 1 left | 1 right | 1 centre, 1 left | | | | 10/01 |
| 72.6932.05 | | 1 right, 1 centre | | 1 right, 1 centre | | | | 10/01 |
| 72.6932.06 | | 3 right, 2 left | 1 left | 3 right, 1 left | | | | 10/01 |
| 72.6932.07 | | 1 right, 1 centre, 1 left | 1 left | 1 right, 1 centre | | | | 10/01 |
| 72.6932.08 | | 1 centre, 1 left | | 1 centre, 1 left | | | | 10/01 |
| 72.6932.11 | | 1 right, 3 left | | 1 right, 3 left | 2 right | | | 10/01 |
| 72.6932.12 | | 1 centre, 1 left | | 1 centre, 1 left | 1 right | | | 10/01 |
| 72.6932.13 | | 3 right, 1 left | | 3 right, 1 left | 2 left | | | 10/01 |
| 72.6932.14 | | 1 right, 1 centre, 1 left | | 1 right, 1 centre | | | | 10/01 |

| | | | | |
|-------------|-------------------|------------------|-------------|------------------|
| Baugruppe | unité | unità | unit | Large 72.3090.99 |
| Frontblende | tôle frontale | lamiera frontale | front panel | 12/19 |
| Oberbau | partie supérieure | parte superiore | upper part | 1.3.1996 |

WIDTH 1500 mm, FRONT SIDE, TWO BAKING OVENS

| Product No. | Service No. | Electric switches | Lamps | Lamps small | Gas switches | Piezo buttons | Remarks | Introd. |
|-------------|-------------|---------------------------|-------------|---------------------------|--------------|---------------|---------|---------|
| 72.3322.02 | | 3 symmetric | | | | | | |
| 72.3322.03 | | 3 symmetric | 1 right | | | | | |
| 72.3322.04 | | 6 symmetric | | | | | | |
| 72.3322.05 | | 6 symmetric | 1 centre | | | | | |
| 72.3322.06 | | 1 left, 1 centre | | | | | | |
| 72.3322.07 | | 1 centre, 1 right | | | | | | |
| 72.3322.08 | | 6 symmetric | 2 right | | | | | |
| 72.3322.09 | | 3 left, 2 right | 1 right | | | | | |
| 72.3322.40 | | 3 left, 1 right | | | 2 right | | | |
| 72.3322.41 | | 1 left, 3 right | | | 2 left | | | |
| 72.3322.42 | | 1 left, 2 symmetric | 2 symmetric | | 1 right | | | |
| 72.3322.60 | | 6 symmetric | | | | | | |
| 72.3322.61 | | 2 left, 1 right | | | | | | |
| 72.6929.01 | | 6 symmetric | | 6 symmetric | | | | 10/01 |
| 72.6929.02 | | 1 right, 1 centre, 1 left | | 1 right, 1 centre, 1 left | | | | 10/01 |
| 72.6929.03 | | 2 right, 3 left | 1 right | 1 right, 3 left | | | | 10/01 |
| 72.6929.04 | | 1 right, 1 centre, 1 left | 1 right | 1 centre, 1 left | | | | 10/01 |
| 72.6929.05 | | 1 right, 1 centre | | 1 right, 1 centre | | | | 10/01 |
| 72.6929.06 | | 3 right, 2 left | 1 left | 3 right, 1 left | | | | 10/01 |
| 72.6929.07 | | 1 right, 1 centre, 1 left | 1 left | 1 right, 1 centre | | | | 10/01 |
| 72.6929.08 | | 1 centre, 1 left | | 1 centre, 1 left | | | | 10/01 |
| 72.6929.11 | | 1 right, 3 left | | 1 right, 3 left | 2 right | | | 10/01 |
| 72.6929.12 | | 1 centre, 1 left | | 1 centre, 1 left | 1 right | | | 10/01 |
| 72.6929.13 | | 3 right, 1 left | | 3 right, 1 left | 2 left | | | 10/01 |
| 72.6929.14 | | 1 right, 1 centre, 1 left | | 1 right, 1 centre | | | | 10/01 |

| | | | | |
|--|-------------------|------------------|-------------|------------------|
| Baugruppe | unité | unità | unit | Large 72.3090.99 |
| Frontblende | tôle frontale | lamiera frontale | front panel | 13/19 |
| Oberbau | partie supérieure | parte superiore | upper part | 1.3.1996 |
| WIDTH 1500 mm, FRONT SIDE, TWO BAKING OVENS | | | | |

| |
|---|
| WIDTH 1500 mm, REAR SIDE, TWO BAKING OVENS |
|---|

| Product No. | Service No. | Electric switches | Lamps | Lamps small | Gas switches | Piezo buttons | Remarks | Introd. |
|-------------|-------------|---------------------------|----------|---------------------------|-----------------|---------------|---------|---------|
| 72.3323.02 | | 3 symmetric | | | | | | |
| 72.3323.03 | | 3 symmetric | 1 right | | | | | |
| 72.3323.04 | | 6 symmetric | | | | | | |
| 72.3323.05 | | 6 symmetric | 1 centre | | | | | |
| 72.3323.06 | | 1 centre, 1 right | | | | | | |
| 72.3323.07 | | 1 left, 1 centre | | | | | | |
| 72.3323.40 | | 3 left, 1 right | | | 2 right | | | |
| 72.3323.41 | | 1 left, 3 right | | | 2 left | | | |
| 72.3323.42 | | 1 right | | | 1 left | | | |
| 72.3323.60 | | | | | 2 left, 1 right | | | |
| 72.6930.01 | | 6 symmetric | | 6 symmetric | | | | 10/01 |
| 72.6930.02 | | 1 right, 1 centre, 1 left | | 1 right, 1 centre, 1 left | | | | 10/01 |
| 72.6930.03 | | 2 right, 3 left | 1 right | 1 right, 3 left | | | | 10/01 |
| 72.6930.04 | | 1 right, 1 centre, 1 left | 1 right | 1 centre, 1 left | | | | 10/01 |
| 72.6930.04 | | 1 right, 1 centre, 1 left | 1 right | 1 centre, 1 left | | | | 10/01 |
| 72.6930.05 | | 1 right, 1 centre | | 1 right, 1 centre | | | | 10/01 |
| 72.6930.06 | | 3 right, 2 left | 1 left | 3 right, 1 left | | | | 10/01 |
| 72.6930.07 | | 1 right, 1 centre, 1 left | 1 left | 1 right, 1 centre | | | | 10/01 |
| 72.6930.08 | | 1 centre, 1 left | | 1 centre, 1 left | | | | 10/01 |
| 72.6930.11 | | 1 right, 3 left | | 1 right, 3 left | 2 right | | | 10/01 |
| 72.6930.12 | | 1 centre, 1 left | | 1 centre, 1 left | 1 right | | | 10/01 |
| 72.6930.13 | | 3 right, 1 left | | 3 right, 1 left | 2 left | | | 10/01 |
| 72.6930.14 | | 1 right, 1 centre, 1 left | | 1 right, 1 centre | | | | 10/01 |

| | | | | |
|-------------|-------------------|------------------|-------------|------------------|
| Baugruppe | unité | unità | unit | Large 72.3090.99 |
| Frontblende | tôle frontale | lamiera frontale | front panel | 14/19 |
| Oberbau | partie supérieure | parte superiore | upper part | 1.3.1996 |

WIDTH 1500 mm, FRONT SIDE, HOT CABINET (left), BAKING OVEN (right)

| Product No. | Service No. | Electric switches | Lamps | Lamps small | Gas switches | Piezo buttons | Remarks | Introd |
|-------------|-------------|---------------------------|----------|---------------------------|-----------------|---------------|---------|--------|
| 72.3674.02 | | 3 symmetric | | | | | | |
| 72.3674.03 | | 3 symmetric | 1 right | | | | | |
| 72.3674.04 | | 6 symmetric | | | | | | |
| 72.3674.05 | | 6 symmetric | 1 centre | | | | | |
| 72.3674.20 | | | | | 2 left, 1 right | 1 right | | |
| 72.3674.40 | | 1 left, 1 centre | | | 1 right, | 1 right | | |
| 72.3674.41 | | 1 left, 1 centre | | | | 1 right | | |
| 72.6927.01 | | 6 symmetric | | 6 symmetric | | | | 10/01 |
| 72.6927.02 | | 1 right, 1 centre, 1 left | | 1 right, 1 centre, 1 left | | | | 10/01 |
| 72.6927.03 | | 2 right, 3 left | 1 right | 1 right, 3 left | | | | 10/01 |
| 72.6927.04 | | 1 right, 1 centre, 1 left | 1 right | 1 centre, 1 left | | | | 10/01 |
| 72.6927.05 | | 1 right, 1 centre | | 1 right, 1 centre | | | | 10/01 |
| 72.6927.06 | | 3 right, 2 left | 1 left | 3 right, 1 left | | | | 10/01 |
| 72.6927.07 | | 1 right, 1 centre, 1 left | 1 left | 1 right, 1 centre | | | | 10/01 |
| 72.6927.08 | | 1 centre, 1 left | | 1 centre, 1 left | | | | 10/01 |
| 72.6927.11 | | 1 right, 3 left | | 1 right, 3 left | 2 right | | | 10/01 |
| 72.6927.12 | | 1 centre, 1 left | | 1 centre, 1 left | 1 right | | | 10/01 |
| 72.6927.13 | | 3 right, 1 left | | 3 right, 1 left | 2 left | | | 10/01 |
| 72.6927.14 | | 1 right, 1 centre, 1 left | | 2 right | | | | 10/01 |

| Baugruppe | unité | unità | unit | Large 72.3090.99 | | | | |
|--|-------------------|---------------------------|-------------|---------------------------|-----------------|---------------|---------|---------|
| Frontblende | tôle frontale | lamiera frontale | front panel | 15/19 | | | | |
| Oberbau | partie supérieure | parte superiore | upper part | 1.3.1996 | | | | |
| WIDTH 1500 mm, REAR SIDE, HOT CABINET (left), BAKING OVEN (right) | | | | | | | | |
| Product No. | Service No. | Electric switches | Lamps | Lamps small | Gas switches | Piezo buttons | Remarks | Introd. |
| 72.3675.02 | | 3 symmetric | | | | | | |
| 72.3675.03 | | 3 symmetric | 1 right | | | | | |
| 72.3675.04 | | 6 symmetric | | | | | | |
| 72.3675.05 | | 6 symmetric | 1 centre | | | | | |
| 72.3675.20 | | | | | 2 left, 1 right | 1 left | | |
| 72.3675.40 | | 2 left, 2 symmetric | | | 2 right | | | |
| 72.3675.41 | | 1 centre, 1 right | | | 1 left | 1 left | | |
| 72.3675.42 | | 1 centre, 1 right | | | | 1 left | | |
| 72.6928.01 | | 6 Symmetric | | 6 Symmetric | | | | 10/01 |
| 72.6928.02 | | 1 right, 1 centre, 1 left | | 1 right, 1 centre, 1 left | | | | 10/01 |
| 72.6928.03 | | 2 right, 3 left | 1 right | 1 right, 3 left | | | | 10/01 |
| 72.6928.04 | | 1 right, 1 centre, 1 left | 1 right | 1 centre, 1 left | | | | 10/01 |
| 72.6928.05 | | 1 right, 1 centre | | 1 right, 1 centre | | | | 10/01 |
| 72.6928.06 | | 3 right, 2 left | 1 left | 3 right, 1 left | | | | 10/01 |
| 72.6928.07 | | 1 right, 1 centre, 1 left | 1 left | 1 right, 1 centre | | | | 10/01 |
| 72.6928.08 | | 1 centre, 1 left | | 1 centre, 1 left | | | | 10/01 |
| 72.6928.11 | | 1 right, 3 left | | 1 right, 3 left | 2 right | | | 10/01 |
| 72.6928.12 | | 1 centre, 1 left | | 1 centre, 1 left | 1 right | | | 10/01 |
| 72.6928.13 | | 3 right, 1 left | | 3 right, 1 left | 2 left | | | 10/01 |
| 72.6928.14 | | 1 right, 1 centre, 1 left | | 1 right, 1 centre | | | | 10/01 |

| Baugruppe | unité | unità | unit | Large 72.3090.99 | | | | |
|--|-------------------|---------------------------|-------------|---------------------------|--------------|---------------|---------|---------|
| Frontblende | tôle frontale | lamiera frontale | front panel | 16/19 | | | | |
| Oberbau | partie supérieure | parte superiore | upper part | 1.3.1996 | | | | |
| WIDTH 1500 mm, FRONT SIDE, CUPBOARD (left), BAKING OVEN (right) | | | | | | | | |
| Product No. | Service No. | Electric switches | Lamps | Lamps small | Gas switches | Piezo buttons | Remarks | Introd. |
| 72.3676.02 | | 3 symmetric | | | | | | |
| 72.3676.03 | | 3 symmetric | 1 right | | | | | |
| 72.3676.04 | | 6 symmetric | | | | | | |
| 72.3676.05 | | 6 symmetric | 1 centre | | | | | |
| 72.3676.06 | | 1 centre, 1 right | 1 right | | | | | |
| 72.3676.40 | | 2 left, 2 symmetric | | | 2 right | | | |
| 72.3676.41 | | 2 right 2 symmetric | | | 2 left | | | |
| 72.3676.42 | | 1 centre, 1 right | | | 1 left | | | |
| 72.3676.43 | | 1 centre, 1 left | | | 1 right | | | |
| 72.3676.44 | | 1 centre, 1 left | | | 1 right | 1 right | | |
| 72.6933.01 | | 6 symmetric | | 6 symmetric | | | | 10/01 |
| 72.6933.02 | | 1 right, 1 centre, 1 left | | 1 right, 1 centre, 1 left | | | | 10/01 |
| 72.6933.03 | | 2 right, 3 left | 1 right | 1 right, 3 left | | | | 10/01 |
| 72.6933.04 | | 1 right, 1 centre, 1 left | 1 right | 1 centre, 1 left | | | | 10/01 |
| 72.6933.05 | | 1 right, 1 centre | | 1 right, 1 centre | | | | 10/01 |
| 72.6933.06 | | 3 right, 2 left | 1 left | 3 right, 1 left | | | | 10/01 |
| 72.6933.07 | | 1 right, 1 centre, 1 left | 1 left | 1 right, 1 centre | | | | 10/01 |
| 72.6933.08 | | 1 centre, 1 left | | 1 centre, 1 left | | | | 10/01 |
| 72.6933.11 | | 1 right, 3 left | | 1 right, 3 left | 2 right | | | 10/01 |
| 72.6933.12 | | 1 centre, 1 left | | 1 centre, 1 left | 1 right | | | 10/01 |
| 72.6933.13 | | 3 right, 1 left | | 3 right, 1 left | 2 left | | | 10/01 |
| 72.6933.14 | | 1 right, 1 centre, 1 left | | 1 right, 1 centre | | | | 10/01 |

| | | | | |
|-------------|-------------------|------------------|-------------|------------------|
| Baugruppe | unité | unità | unit | Large 72.3090.99 |
| Frontblende | tôle frontale | lamiera frontale | front panel | 17/19 |
| Oberbau | partie supérieure | parte superiore | upper part | 1.3.1996 |

WIDTH 1500 mm, REAR SIDE, CUPBOARD (left), BAKING OVEN (right)

| Product No. | Service No. | Electric switches | Lamps | Lamps small | Gas switches | Piezo buttons | Remarks | Introd. |
|-------------|-------------|---------------------------|----------|---------------------------|--------------|---------------|---------|---------|
| 72.3677.02 | | 3 symmetric | | | | | | |
| 72.3677.03 | | 3 symmetric | 1 right | | | | | |
| 72.3677.04 | | 6 symmetric | | | | | | |
| 72.3677.05 | | 6 symmetric | 1 centre | | | | | |
| 72.3677.06 | | 1 centre | | | | | | |
| 72.3677.40 | | 2 left, 2 symmetric | | | 2 right | | | |
| 72.3677.41 | | 2 right 2 symmetric | | | 2 left | | | |
| 72.3677.42 | | 1 centre, 1 left | | | 1 right | | | |
| 72.3677.43 | | 1 centre, 1 right | | | 1 left | | | |
| 72.6934.01 | | 6 symmetric | | 6 symmetric | | | | 10/01 |
| 72.6934.02 | | 1 right, 1 centre, 1 left | | 1 right, 1 centre, 1 left | | | | 10/01 |
| 72.6934.03 | | 2 right, 3 left | 1 right | 1 right, 3 left | | | | 10/01 |
| 72.6934.04 | | 1 right, 1 centre, 1 left | 1 right | 1 centre, 1 left | | | | 10/01 |
| 72.6934.05 | | 1 right, 1 centre | | 1 right, 1 centre | | | | 10/01 |
| 72.6934.06 | | 3 right, 2 left | 1 left | 3 right, 1 left | | | | 10/01 |
| 72.6934.07 | | 1 right, 1 centre, 1 left | 1 left | 1 right, 1 centre | | | | 10/01 |
| 72.6934.08 | | 1 centre, 1 left | | 1 centre, 1 left | | | | 10/01 |
| 72.6934.11 | | 1 right, 3 left | | 1 right, 3 left | 2 right | | | 10/01 |
| 72.6934.12 | | 1 centre, 1 left | | 1 centre, 1 left | 1 right | | | 10/01 |
| 72.6934.13 | | 3 right, 1 left | | 3 right, 1 left | 2 left | | | 10/01 |
| 72.6934.14 | | 1 right, 1 centre, 1 left | | 1 right, 1 centre | | | | 10/01 |

WIDTH 1500 mm, HOT CABINET with sliding doors

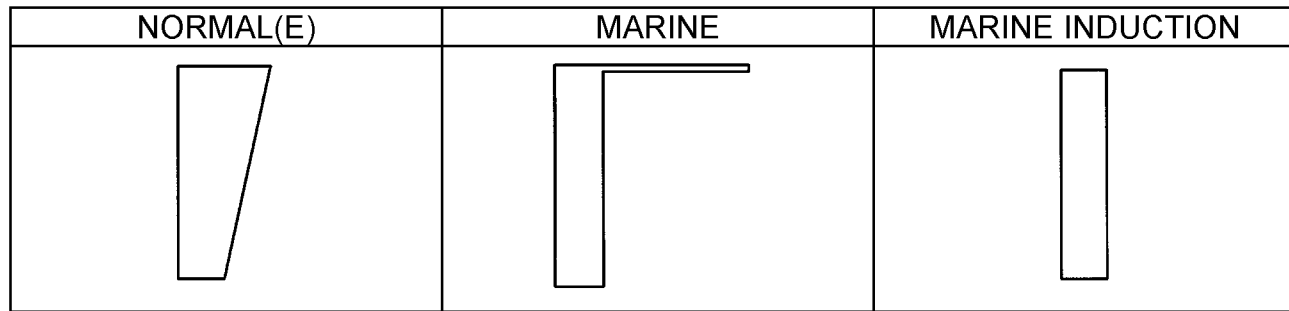
| Product No. | vice No. | Electric switches | Lamps | Gas switches | Piezo buttons | Remarks |
|-------------|----------|----------------------------|----------|--------------|----------------------|---------|
| 72.3238.02 | | 3 symmetric | | | | |
| 72.3238.03 | | 3 symmetric | 1 right | | | |
| 72.3238.04 | | 6 symmetric | | | | |
| 72.3238.05 | | 6 symmetric | 1 centre | | | |
| 72.3238.06 | | left, 2 symmetric, 2 right | 1 left | | | |
| 72.3238.07 | | left, 1 centre, 2 right | 2 right | | | |
| 72.3238.08 | | 1 left, 1 centre | | | | |
| 72.3238.09 | | 3 symmetric, | 1 left | | | |
| 72.3238.10 | | 1 centre, 1 left | | | | |
| 72.3238.20 | | | | 6 symmetric | 2 symmetric, 2 right | |
| 72.3238.40 | | 1 left | | 1 right | | |
| 72.3238.41 | | 1 right | | 1 left | | |

| | | | |
|--|---|--------------------|-------------------------------------|
| unità lamiera frontale parte superiore senza buchi | unit front panel upper part without holes | Compact 72.3780.99 | Large 72.3090.99 18/19 1.3.96 |
|--|---|--------------------|-------------------------------------|

| Product No. | Service No. | | Breite, largeur, larghezza, width |
|-------------|--|---|--------------------------------------|
| 72.4475 | altezza 700 mm | height 700 mm | 200 mm |
| 72.3145 | normale | normal | 200 mm |
| 72.4301 | normale | normal | 400 mm |
| 72.4302 | normale | normal | 500 mm |
| 72.4303 | normale | normal | 800 mm |
| 72.4304 | con forno davanti | with oven front | 800 mm |
| 72.4305 | con forno dietro | with oven rear | 800 mm |
| 72.4306 | normale | normal | 1000 mm |
| 72.4307 | con forno davanti | with oven front | 1000 mm |
| 72.4308 | con forno dietro | with oven rear | 1000 mm |
| 72.4310 | normale | normal | 1500 mm |
| 72.4311 | con forno sinistra e spazio aperto davanti | with oven left open compartment front | 1500 mm |
| 72.4312 | con forno sinistra e spazio aperto dietro | with oven left open compartment rear | 1500 mm |
| 72.4313 | con 2 forni davanti | with 2 ovens front | 1500 mm |
| 72.4314 | con 2 forni dietro | with 2 ovens rear | 1500 mm |

| Product No. | Service No. | unità lamiera frontale parte superiore senza buchi | unit front panel upper part without holes | Large 72.3090.99 19/19 1.3.96 |
|-------------|-------------|--|---|--------------------------------------|
| | | | | Breite, largeur, larghezza, width |
| 72.4315 | | con forno destra e armadio riscald. davanti | with oven right and hot cupboard front | 1500 mm |
| 72.4316 | | con forno destra e armadio riscald. dietro | with oven right and hot cupboard rear | 1500 mm |
| 72.4317 | | con forno destra e spazio aperto davanti | with oven right open compartment front | 1500 mm |
| 72.4318 | | con forno destra e spazio aperto dietro | with oven right open compartment rear | 1500 mm |
| 72.4319 | | armadio riscald. porta glissante | hot cupboard sliding door | 1500 mm |

Blende oben Bandeau supérieure Copertura superiore Upper filler



| | Erklärung | explication | spiegazione | explanation |
|----|--------------------------------|--|--|--|
| B | Breite | largeur | larghezza | width |
| OK | ohne | sans | senza | without |
| MK | Konsolen für Herdstange mit | consoles pour tablette avec | mensole per corrimano con | consoles for rod with |
| KR | Konsolen für Herdstange rechts | consoles pour tablette console pour tablette droit | mensole per corrimano mensola per corrimano destra | consoles for rod console for rod right |
| KL | Konsole für Herdstange links | console pour tablette gauche | mensola per corrimano sinistra | console for rod left |

| | B (mm) | OK | MK | KR | KL |
|------------------|--------|---------|---------|---------|---------|
| NORMAL(E) | 200 | 72.3147 | 72.3149 | 72.3151 | 72.3153 |
| | 400 | 72.2466 | 72.2481 | 72.2476 | 72.2471 |
| | 500 | 72.2467 | 72.2482 | 72.2477 | 72.2472 |
| | 800 | 72.2468 | 72.2483 | 72.2478 | 72.2473 |
| | 1000 | 72.2469 | 72.2484 | 72.2479 | 72.2474 |
| | 1500 | 72.2470 | 72.2485 | 72.2490 | 72.2475 |
| MARINE | 200 | 72.4672 | 72.4676 | 72.4680 | 72.4684 |
| | 400 | 72.4673 | 72.4677 | 72.4681 | 72.4685 |
| | 500 | 72.4981 | 72.4982 | 72.4983 | 72.4984 |
| | 800 | 72.4674 | 72.4678 | 72.4682 | 72.4686 |
| | 1000 | 72.4985 | 72.4986 | 72.4987 | 72.4988 |
| | 1500 | 72.4675 | 72.4679 | 72.4683 | 72.4876 |
| MARINE INDUCTION | 500 | 72.4937 | 72.4938 | 72.4939 | 72.4940 |
| | 800 | 72.4878 | 72.4879 | 72.4880 | 72.4881 |
| | 1000 | 72.4951 | 72.4952 | 72.4953 | 72.4954 |

MARINE



Frontblende
Tôle frontale
Lamiera frontale
front panel

MARINE

| | | | | |
|-------------|-------------------|------------------|-------------|-------------------|
| Baugruppe | unité | unità | unit | Large 72.3090.100 |
| Frontblende | tôle frontale | lamiera frontale | front panel | 1/3 |
| Oberbau | partie supérieure | parte superiore | upper part | 09/97 |

BREITE/ LANGEUR/ LARGHEZZA/ WIDTH 500 mm,

| Product No. | Service No. | MSe | MSb | GGe | INe | INb | IN | BMe | KI | Kr | FJ |
|-------------|-------------|-----|-----|-----|-----|-----|----|-----|----|----|----|
| 72.4970.01 | | | X | | | | | | | | |
| 72.4970.02 | | X | | X | | | | | | | |
| 72.4970.03 | | | | | | | | | | | |
| 72.4970.04 | | | | | | X | | | | | |
| 72.4970.05 | | | | | X | | | | | | |
| 72.4970.06 | | | | | | | X | | | | |
| 72.4970.07 | | | X | | | | | | X | X | |
| 72.4970.08 | | X | | X | | | | | X | X | |
| 72.4970.09 | | | | | | | | | X | X | |
| 72.4970.10 | | | | | | X | | | X | X | |
| 72.4970.11 | | | | | X | | | | X | X | |
| 72.4970.12 | | | | | | | X | | X | X | |
| 72.4970.13 | | | X | | | | | | | X | |
| 72.4970.14 | | X | | X | | | | | | X | |
| 72.4970.15 | | | | | | | | | | X | |
| 72.4970.16 | | | | | | X | | | | X | |
| 72.4970.17 | | | | | X | | | | | X | |
| 72.4970.18 | | | | | | | X | | | X | |
| 72.4970.19 | | | X | | | | | | X | | |
| 72.4970.20 | | X | | X | | | | | X | | |
| 72.4970.21 | | | | | | | | | X | | |
| 72.4970.22 | | | | | | X | | | X | | |
| 72.4970.23 | | | | | X | | | | X | | |
| 72.4970.24 | | | | | | | X | | X | | |
| 72.4970.25 | | | | | | | | | | | X |
| 72.4970.26 | | | | | | | | | X | X | X |
| 72.4970.27 | | | | | | | | | | X | X |
| 72.4970.28 | | | | | | | | | X | | X |

MARINE

| | | | | |
|-------------|-------------------|------------------|-------------|-------------------|
| Baugruppe | unité | unità | unit | Large 72.3090.100 |
| Frontblende | tôle frontale | lamiera frontale | front panel | 2/3 |
| Oberbau | partie supérieure | parte superiore | upper part | 09/97 |

BREITE/ LANGEUR/ LARGHEZZA/ WIDTH 800 mm,

| Product No. | Service No. | OS | BMe | KI | Kr |
|-------------|-------------|----|-----|----|----|
| 72.4971.01 | | | X | | |
| 72.4971.02 | | X | | | |
| 72.4971.03 | | | X | X | X |
| 72.4971.04 | | X | | X | X |
| 72.4971.05 | | | X | | X |
| 72.4971.06 | | X | | | X |
| 72.4971.07 | | | X | X | |
| 72.4971.08 | | X | | X | |

| | Erklärungen | Explications | Definizioni | Explanations |
|-------|--|---|---|---|
| MSe | Monosupertherm Platte, einseitig bedienbar | Plaque Supertherm, utilisable d'un côté | Placca Supertherm. comando da un lato | Supertherm plate, operated from one side |
| MSeDA | Monosupertherm Platte, einseitig bedienbar mit Deckplattenablauf | Plaque Supertherm, ôutilisable d'un côté avec écoulement plaque couvrante | Placca Supertherm. comando da un lato con scarico placca di copertura | Supertherm plate, operated from one side with cover drain |
| MSb | Monosupertherm Platte, beidseitig bedienbar | Plaque Supertherm, utilisable des deux côtés | Placca Supertherm. comando da due lati | Supertherm plate, operated from both sides |
| GGe | Grill/Griddle Platte, einseitig bedienbar | Plaque de grill/grillade lisse, utilisable d'un côté | Placca per griglia/placca lisca, comando da un lato | Grill/griddle plate, operated from one side |
| INe | Induktionsherd, einseitig bedienbar | Fourneau à induction, utilisable d'un côté | Cucina ad induzione, comando da un lato | Induction range, operated from one side |
| INb | Induktionsherd, beidseitig bedienbar | Fourneau à induction, utilisable des deux côtés | Cucina ad induzione, comando da due lati | Induction range, operated from both sides |
| IN | Induktionsherd, ohne Schalter | Fourneau à induction, sans interrupteur | Cucina ad induzione, senza interruttore | Induction range, without switch |
| BMe | Bain-Marie, einseitig bedienbar | Bain-marie, utilisable d'un côté | Bagnomaria, comando da un lato | Bain marie, operated from one side |
| OS | Frontblende ohne Schalter | Tôle frontale sans interrupteur | Lamiera frontale senza interruttore | Front panel without switch |
| KO | Ohne Konsole für Herdstange | Sans console pour tablette | Senza mensola per corrimano | Without console for rod |
| Klr | Konsole für Herdstange, beidseitig | Console pour tablette, deux côtés | Mensola per corrimano, due lati | Console for rod, both sides |
| Kl | Konsole für Herdstange, links | Console pour tablette, gauche | Mensola per corrimano, sinistra | Console for rod, left |
| Kr | Konsole für Herdstange, rechts | Console pour tablette, droit | Mensola per corrimano, destra | Console for rod, right |
| FJ | Juno Friteuse | friteuse Juno | friggitrice Juno | Juno deep fat fryer |

MARINE

| | | | | |
|-------------|-------------------|------------------|-------------|-------------------|
| Baugruppe | unité | unità | unit | Large 72.3090.100 |
| Frontblende | tôle frontale | lamiera frontale | front panel | 3/3 |
| Oberbau | partie supérieure | parte superiore | upper part | 09/97 |

BREITE/ LANGEUR/ LARGHEZZA/ WIDTH 1000 mm,

| Product No. | Service No. | MSe | MSeDA | MSb | GGe | INe | INb | IN | BMe | KI | Kr | Introduction |
|-------------|-------------|-----|-------|-----|-----|-----|-----|----|-----|----|----|--------------|
| 72.4972.01 | | | | X | | | | | | | | |
| 72.4972.02 | | X | | | X | | | | | | | |
| 72.4972.03 | | | | | | | | | | | | |
| 72.4972.04 | | | | | | | X | | | | | |
| 72.4972.05 | | | | | | X | | | | | | |
| 72.4972.06 | | | | | | | | X | | | | |
| 72.4972.07 | | | | X | | | | | | X | X | |
| 72.4972.08 | | X | | | X | | | | | X | X | |
| 72.4972.09 | | | | | | | | | | X | X | |
| 72.4972.10 | | | | | | | X | | | X | X | |
| 72.4972.11 | | | | | | X | | | | X | X | |
| 72.4972.12 | | | | | | | | X | | X | X | |
| 72.4972.13 | | | | X | | | | | | | X | |
| 72.4972.14 | | X | | | X | | | | | | X | |
| 72.4972.15 | | | | | | | | | | | X | |
| 72.4972.16 | | | | | | | X | | | | X | |
| 72.4972.17 | | | | | | X | | | | | X | |
| 72.4972.18 | | | | | | | | X | | | X | |
| 72.4972.19 | | | | X | | | | | | X | | |
| 72.4972.20 | | X | | | X | | | | | X | | |
| 72.4972.21 | | | | | | | | | | X | | |
| 72.4972.22 | | | | | | | X | | | X | | |
| 72.4972.23 | | | | | | X | | | | X | | |
| 72.4972.24 | | | | | | | | X | | X | | |
| 72.6433 | | | X | | | | | | | | | 07.00 |
| 72.6434 | | | X | | | | | | | | | 07.00 |

| | | | | |
|---------------|-------------------|------------------|-------------|--------------------|
| MARINE | | | | |
| Baugruppe | unité | unità | unit | Large 72.3090.100a |
| Frontblende | tôle frontale | lamiera frontale | front panel | 1 |
| Oberbau | partie supérieure | parte superiore | upper part | 03/01 |

| | | | | |
|------------------|---------------------|------------|------------|------------|
| Wand montiert | wall mounted | | | |
| Gerätebreite | width of appliance | 200 | | |
| Grätehöhe | height of appliance | 400 | | |
| Appliance | KO | KlR | Kr | KI |
| blind OS | 72.6491.01 | 72.6491.02 | 72.6491.03 | 72.6491.04 |

| | | | | |
|------------------|---------------------|------------|------------|------------|
| Standgerät | floor mounting | | | |
| Gerätebreite | width of appliance | 200 | | |
| Grätehöhe | height of appliance | 700 | | |
| Appliance | KO | KlR | Kr | KI |
| blind OS | 72.5147.01 | 72.5147.02 | 72.5147.03 | 72.5147.04 |

| | | | | |
|--|---------------------|------------|------------|------------|
| Standgerät | floor mounting | | | |
| Gerätebreite | width of appliance | 500 | | |
| Grätehöhe | height of appliance | 700 | | |
| Appliance | KO | KlR | Kr | KI |
| Supertherm MS(E) 92 Large Cooking Plate ALEX | 72.6328.01 | 72.6328.02 | 72.6328.03 | 72.6328.04 |
| Supertherm MS(E) 92 Large Cooking Plate with 2 knobs + vent. openings | 72.6328.17 | 72.6328.18 | 72.6328.19 | 72.6328.20 |
| Supertherm MS(E) 92 Large Cooking Plate with 2 knobs, lamp + vent. openings | 72.6328.21 | 72.6328.22 | 72.6328.23 | 72.6328.24 |
| Induction hob with 2 knobs + vent. openings | 72.6328.17 | 72.6328.18 | 72.6328.19 | 72.6328.20 |
| Induction hob with 2 knobs, lamp + vent. openings | 72.6328.21 | 72.6328.22 | 72.6328.23 | 72.6328.24 |
| Induction hob+wok with 2 knobs + vent. openings | 72.6328.17 | 72.6328.18 | 72.6328.19 | 72.6328.20 |
| Induction hob+wok with 2 knobs, lamp + vent. openings | 72.6328.21 | 72.6328.22 | 72.6328.23 | 72.6328.24 |
| Bain-marie with knob | 72.6328.37 | 72.6328.38 | 72.6328.39 | 72.6328.40 |
| Bain-marie with knob and lamp | 72.6328.41 | 72.6328.42 | 72.6328.43 | 72.6328.44 |
| Pasta cooker with 2 knobs and lamp | 72.6328.05 | 72.6328.06 | 72.6328.07 | 72.6328.08 |
| Grill/griddle plate ALEX | 72.6328.01 | 72.6328.02 | 72.6328.03 | 72.6328.04 |
| Grill/griddle plate with 2 knobs | 72.6328.05 | 72.6328.06 | 72.6328.07 | 72.6328.08 |
| Grill/griddle plate with 2 knobs and 2 lamps | 72.6328.09 | 72.6328.10 | 72.6328.11 | 72.6328.12 |
| Deep fat fryer with knob and 2 lamps | 72.6328.13 | 72.6328.14 | 72.6328.15 | 72.6328.16 |

| | | | | |
|---------------|-------------------|------------------|-------------|--------------------|
| MARINE | | | | |
| Baugruppe | unité | unità | unit | Large 72.3090.100a |
| Frontblende | tôle frontale | lamiera frontale | front panel | 2 |
| Oberbau | partie supérieure | parte superiore | upper part | 03/01 |

| | | | | |
|--|---------------------|------------|------------|------------|
| Wandgerät | wall mounting | | | |
| Gerätebreite | width of appliance | 500 | | |
| Grätehöhe | height of appliance | 400 | | |
| Appliance | KO | Klr | Kr | KI |
| Supertherm MS(E) 92 Large Cooking Plate ALEX | 72.6493.01 | 72.6493.02 | 72.6493.03 | 72.6493.04 |
| Supertherm MS(E) 92 Large Cooking Plate with 2 knobs + vent. openings | 72.6493.17 | 72.6493.18 | 72.6493.19 | 72.6493.20 |
| Supertherm MS(E) 92 Large Cooking Plate with 2 knobs, lamp + vent. openings | 72.6493.21 | 72.6493.22 | 72.6493.23 | 72.6493.24 |
| Induction hob with 2 knobs + vent. openings | 72.6493.17 | 72.6493.18 | 72.6493.19 | 72.6493.20 |
| Induction hob with 2 knobs, lamp + vent. openings | 72.6493.21 | 72.6493.22 | 72.6493.23 | 72.6493.24 |
| Induction hob+wok with 2 knobs + vent. openings | 72.6493.17 | 72.6493.18 | 72.6493.19 | 72.6493.20 |
| Induction hob+wok with 2 knobs, lamp + vent. openings | 72.6493.21 | 72.6493.22 | 72.6493.23 | 72.6493.24 |
| Bain-marie with knob | 72.6493.37 | 72.6493.38 | 72.6493.39 | 72.6493.40 |
| Bain-marie with knob and lamp | 72.6493.41 | 72.6493.42 | 72.6493.43 | 72.6493.44 |
| Pasta cooker with 2 knobs and lamp | 72.6493.05 | 72.6493.06 | 72.6493.07 | 72.6493.08 |
| Grill/griddle plate ALEX | 72.6493.01 | 72.6493.02 | 72.6493.03 | 72.6493.04 |
| Grill/griddle plate with knob | 72.6493.05 | 72.6493.06 | 72.6493.07 | 72.6493.08 |
| Grill/griddle plate with 2 knobs and 2 lamps | 72.6493.09 | 72.6493.10 | 72.6493.11 | 72.6493.12 |
| Deep fat fryer with knob and 2 lamps | 72.6493.13 | 72.6493.14 | 72.6493.15 | 72.6493.16 |

| | | | | |
|----------------------------------|---------------------|------------|------------|------------|
| Standgerät | floor mounting | | | |
| Gerätebreite | width of appliance | 800 | | |
| Grätehöhe | height of appliance | 700 | | |
| Appliance | KO | Klr | Kr | KI |
| Bain marie ALEX | 72.6329.01 | 72.6329.02 | 72.6329.03 | 72.6329.04 |
| Bain marie with knob | 72.6329.05 | 72.6329.06 | 72.6329.07 | 72.6329.08 |
| Bain-Marie with knob and lamp | 72.6329.09 | 72.6329.10 | 72.6329.11 | 72.6329.12 |

MARINE

| | | | | |
|-------------|-------------------|------------------|-------------|--------------------|
| Baugruppe | unité | unità | unit | Large 72.3090.100a |
| Frontblende | tôle frontale | lamiera frontale | front panel | 3 |
| Oberbau | partie supérieure | parte superiore | upper part | 03/01 |

| | | | | |
|--------------|---------------------|--|-----|--|
| Wandgerät | wall mounting | | | |
| Gerätebreite | width of appliance | | 800 | |
| Grätehöhe | height of appliance | | 400 | |

| Appliance | KO | Klr | Kr | KI |
|-------------------------------|------------|------------|------------|------------|
| Bain marie ALEX | 72.6757.01 | 72.6757.02 | 72.6757.03 | 72.6757.04 |
| Bain marie with knob | 72.6757.05 | 72.6757.06 | 72.6757.07 | 72.6757.08 |
| Bain-Marie with knob and lamp | 72.6757.09 | 72.6757.10 | 72.6757.11 | 72.6757.12 |

| | | | | |
|--------------|---------------------|--|------|--|
| Standgerät | floor mounting | | | |
| Gerätebreite | width of appliance | | 1000 | |
| Grätehöhe | height of appliance | | 700 | |

| Appliance | KO | Klr | Kr | KI |
|--|------------|------------|------------|------------|
| Supertherm MS(E) 94 Large Cooking Plate ALEX | 72.6331.01 | 72.6331.02 | 72.6331.03 | 72.6331.04 |
| Supertherm MS(E) 94 Large Cooking Plate with 4 knobs + vent. openings | 72.6331.17 | 72.6331.18 | 72.6331.19 | 72.6331.20 |
| Supertherm MS(E) 94 Large Cooking Plate with 4 knobs, lamp + vent. openings | 72.6331.21 | 72.6331.22 | 72.6331.23 | 72.6331.24 |
| Supertherm MS(E) 94 Large Cooking Plate with 4 knobs, 4 lamps + vent. openings | 72.6331.25 | 72.6331.26 | 72.6331.27 | 72.6331.28 |
| Induction hob with 4 knobs + vent. openings | 72.6331.17 | 72.6331.18 | 72.6331.19 | 72.6331.20 |
| Induction hob with 4 knobs, lamp + vent. openings | 72.6331.21 | 72.6331.22 | 72.6331.23 | 72.6331.24 |
| Induction hob with 4 knobs, 4 lamps + vent. openings | 72.6331.25 | 72.6331.26 | 72.6331.27 | 72.6331.28 |
| Grill/griddle plate ALEX | 72.6331.01 | 72.6331.02 | 72.6331.03 | 72.6331.04 |
| Grill/griddle plate with 4 knobs | 72.6331.05 | 72.6331.06 | 72.6331.07 | 72.6331.08 |
| Grill/griddle plate with 4 knobs and 4 lamps | 72.6331.13 | 72.6331.14 | 72.6331.15 | 72.6331.16 |
| Deep fat fryer 2x18 l with knobs and lamps | 72.6331.13 | 72.6331.14 | 72.6331.15 | 72.6331.16 |

MARINE

| | | | | |
|-------------|-------------------|------------------|-------------|--------------------|
| Baugruppe | unité | unità | unit | Large 72.3090.100a |
| Frontblende | tôle frontale | lamiera frontale | front panel | 4 |
| Oberbau | partie supérieure | parte superiore | upper part | 03/01 |

| | | | | |
|--------------|---------------------|------|--|--|
| Wandgerät | wall mounted | | | |
| Gerätebreite | width of appliance | 1000 | | |
| Grätehöhe | height of appliance | 400 | | |

| Appliance | KO | Klr | Kr | KI |
|---|------------|------------|------------|------------|
| Supertherm MS(E) 94 Large Cooking Plate ALEX | 72.6492.01 | 72.6492.02 | 72.6492.03 | 72.6492.04 |
| Supertherm MS(E) 94 Large Cooking Plate with 4 knobs + vent. openings | 72.6492.17 | 72.6492.18 | 72.6492.19 | 72.6492.20 |
| Supertherm MS(E) 94 Large Cooking Plate with 4 knobs, lamp + vent. openings | 72.6492.21 | 72.6492.22 | 72.6492.23 | 72.6492.24 |
| Supertherm MS(E) 94 Large Cooking Plate with 4 knobs, 4 lamps + vent. openings | 72.6492.25 | 72.6492.26 | 72.6492.27 | 72.6492.28 |
| Induction hob with 4 knobs + vent. openings | 72.6492.17 | 72.6492.18 | 72.6492.19 | 72.6492.20 |
| Induction hob with 4 knobs, lamp + vent. openings | 72.6492.21 | 72.6492.22 | 72.6492.23 | 72.6492.24 |
| Induction hob with 4 knobs, 4 lamps + vent. openings | 72.6492.25 | 72.6492.26 | 72.6492.27 | 72.6492.28 |
| Grill/griddle plate ALEX | 72.6492.01 | 72.6492.02 | 72.6492.03 | 72.6492.04 |
| Grill/griddle plate with 4 knobs | 72.6492.05 | 72.6492.06 | 72.6492.07 | 72.6492.08 |
| Grill/griddle plate with 4 knobs and 4 lamps | 72.6492.13 | 72.6492.14 | 72.6492.15 | 72.6492.16 |
| Deep fat fryer 2x18 l with knobs and lamps | 72.6492.13 | 72.6492.14 | 72.6492.15 | 72.6492.16 |

| | | | | |
|-------------|-------------------|------------------|-------------|--------------------|
| Baugruppe | unité | unità | unit | Large 72.3090.100a |
| Frontblende | tôle frontale | lamiera frontale | front panel | 4 |
| Oberbau | partie supérieure | parte superiore | upper part | 03/01 |

| | | | |
|-------------------------|--------------------------|------|--|
| Standgerät mit Backofen | floor mounting with oven | | |
| Gerätebreite | width of appliance | 1000 | |
| Grätehöhe | height of appliance | 700 | |

| Appliance | KO | Klir | Kr | KI |
|---|------------|------------|------------|------------|
| Supertherm MS(E) 94 Large Cooking Plate ALEX | 72.6409.01 | 72.6409.02 | 72.6409.03 | 72.6409.04 |
| Supertherm MS(E) 94 Large Cooking Plate with 4 knobs + vent. openings | 72.6409.17 | 72.6409.18 | 72.6409.19 | 72.6409.20 |
| Supertherm MS(E) 94 Large Cooking Plate with 4 knobs, lamp + vent. openings | 72.6409.21 | 72.6409.22 | 72.6409.23 | 72.6409.24 |
| Supertherm MS(E) 94 Large Cooking Plate with 4 knobs, 4 lamps + vent. openings | 72.6409.25 | 72.6409.26 | 72.6409.27 | 72.6409.28 |
| Grill/griddle plate ALEX | 72.6409.01 | 72.6409.02 | 72.6409.03 | 72.6409.04 |
| Grill/griddle plate with 4 knobs | 72.6409.05 | 72.6409.06 | 72.6409.07 | 72.6409.08 |
| Grill/griddle plate with 4 knobs and 4 lamps | 72.6409.13 | 72.6409.14 | 72.6409.15 | 72.6409.16 |

| | | | |
|---------------------------|-----------------------------|------|--|
| Standgerät mit 2 Backöfen | floor mounting with 2 ovens | | |
| Gerätebreite | width of appliance | 1500 | |
| Grätehöhe | height of appliance | 700 | |

| Appliance | KO | Klir | Kr | KI |
|--|------------|------------|------------|------------|
| Supertherm MS(E) 96 Large Cooking Plate ALEX | 72.6330.01 | 72.6330.02 | 72.6330.03 | 72.6330.04 |
| Supertherm MS(E) 96 Large Cooking Plate with 6 knobs + vent. openings | 72.6330.05 | 72.6330.06 | 72.6330.07 | 72.6330.08 |
| Supertherm MS(E) 96 Large Cooking Plate with 6 knobs, lamp + vent. openings | 72.6330.09 | 72.6330.10 | 72.6330.11 | 72.6330.12 |

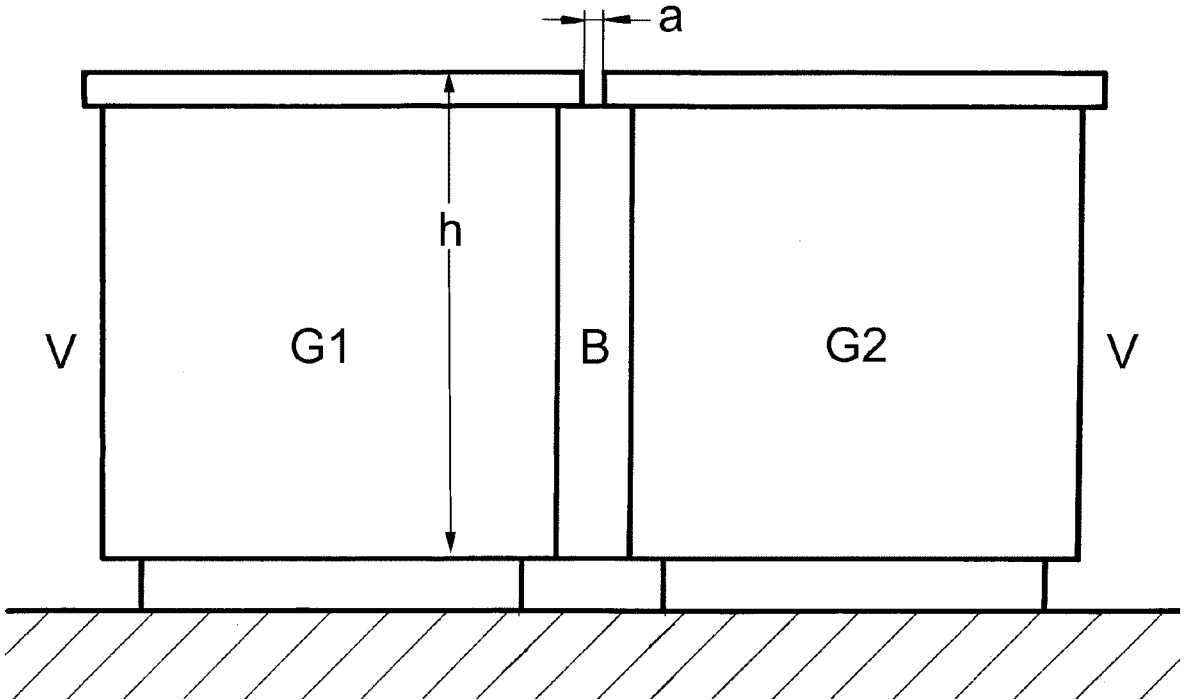
| | | | |
|--------------|---------------------|------|--|
| Wandgerät | wall mounting | | |
| Gerätebreite | width of appliance | 1500 | |
| Grätehöhe | height of appliance | 400 | |

| Appliance | KO | Klir | Kr | KI |
|--|------------|------------|------------|------------|
| Supertherm MS(E) 96 Large Cooking Plate ALEX | 72.6792.01 | 72.6792.02 | 72.6792.03 | 72.6792.04 |
| Supertherm MS(E) 96 Large Cooking Plate with 6 knobs + vent. openings | 72.6792.05 | 72.6792.06 | 72.6792.07 | 72.6792.08 |
| Supertherm MS(E) 96 Large Cooking Plate with 6 knobs, lamp + vent. openings | 72.6792.09 | 72.6792.10 | 72.6792.11 | 72.6792.12 |

MARINE

| | | | | |
|-------------|-------------------|------------------|-------------|--------------------|
| Baugruppe | unité | unità | unit | Large 72.3090.100a |
| Frontblende | tôle frontale | lamiera frontale | front panel | 5 |
| Oberbau | partie supérieure | parte superiore | upper part | 03/01 |

| Standgerät mit Abstellraum | floor mounting with compartment | | | |
|--|---------------------------------|------------|------------|------------|
| Gerätebreite | width of appliance | | 1500 | |
| Grätehöhe | height of appliance | | 700 | |
| Appliance | KO | KIrr | Kr | KI |
| Supertherm MS(E) 96 Large Cooking Plate ALEX | 72.6840.01 | 72.6840.02 | 72.6840.03 | 72.6840.04 |
| Supertherm MS(E) 96 Large Cooking Plate with 6 knobs + vent. openings | 72.6840.05 | 72.6840.06 | 72.6840.07 | 72.6840.08 |
| Supertherm MS(E) 96 Large Cooking Plate with 6 knobs, lamp + vent. openings | 72.6840.09 | 72.6840.10 | 72.6840.11 | 72.6840.12 |



| | Erklärung | explication | spiegazione | explanation |
|----|-------------------------|------------------------|-----------------------------|------------------------|
| B | Blende | bandeau | copertura | filler |
| G1 | Gerät auf linker Seite | appareil à côté gauche | apparecchio a sinistra | appliance on the left |
| G2 | Gerät auf rechter Seite | appareil à côté droite | apparecchio a destra | appliance on the right |
| V | Vorderseite | avant | parte frontale | front |
| h | Gerätehöhe mm | hauteur d'appareil mm | altezza dell'apparecchio mm | appliance hight mm |
| a | Abstand mm | distance mm | distanza mm | distance mm |
| SK | Standkochkessel | marmite fixe | pentola | stationary boiling pan |
| KA | Kippapparat | appareil basculant | apparecchio ribaltabile | tilting appliance |
| HE | Herd | fourneau | cucina | range |
| ZT | Zwischentisch | table intermédiaire | tavolo intermedio | centre-spreader |

| | | | | |
|--|---|---|--|-----------------------------|
| DE | FR | IT | GB | 72.3090.200 01/99 |
| Baugruppe | Unité | Unità | Unit | Seite/page/pagina/page |
| Blende B Geräte Rücken an Rücken | Bandeau B Appareils dos à dos | Copertura B Apparechi schiena a schiena | Filler B Appliances back to back | 1 |

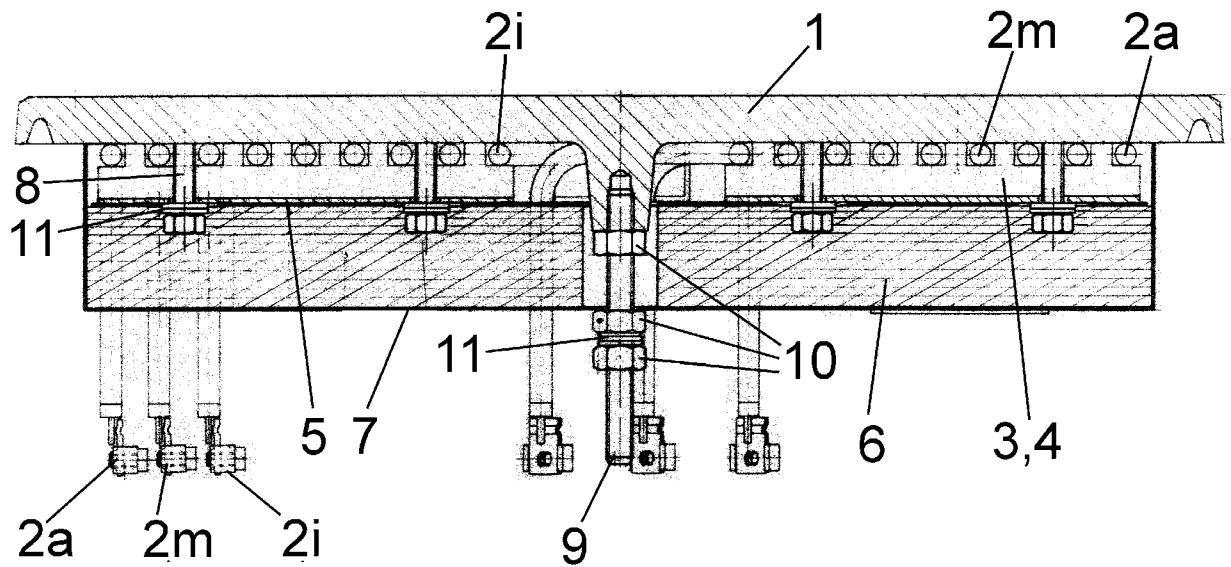
| G1 | G2 | h | a | B |
|-----------|-----------|----------|----------|------------|
| KA | KA | 800 | 0 | 76.1128.03 |
| KA | SK | 800 | 0 | 76.1299.01 |
| KA | HE | 800 | 0 | 76.1300.01 |
| HE | KA | 800 | 0 | 76.1301.01 |
| KA | ZT | 800 | 0 | 76.1128.02 |
| ZT | KA | 800 | 0 | 76.1128.02 |
| SK | SK | 800 | 0 | 76.5425.01 |
| SK | KA | 800 | 0 | 76.1299.01 |
| SK | HE | 800 | 0 | 76.5426.01 |
| HE | SK | 800 | 0 | 76.5426.01 |
| SK | ZT | 800 | 0 | 76.5426.05 |
| ZT | SK | 800 | 0 | 76.5426.05 |
| | | | | |
| KA | KA | 800 | 10 | 76.1128.07 |
| KA | SK | 800 | 10 | 76.1299.02 |
| KA | HE | 800 | 10 | 76.1300.02 |
| HE | KA | 800 | 10 | 76.1301.02 |
| KA | ZT | 800 | 10 | 76.1128.09 |
| ZT | KA | 800 | 10 | 76.1128.09 |
| SK | SK | 800 | 10 | 76.5425.02 |
| SK | KA | 800 | 10 | 76.1299.02 |
| SK | HE | 800 | 10 | 76.5426.02 |
| HE | SK | 800 | 10 | 76.5426.02 |
| SK | ZT | 800 | 10 | 76.5426.06 |
| ZT | SK | 800 | 10 | 76.5426.06 |
| | | | | |
| KA | KA | 700 | 0 | 76.1128.06 |
| KA | SK | 700 | 0 | 76.1299.03 |
| KA | HE | 700 | 0 | 76.1300.03 |
| HE | KA | 700 | 0 | 76.1301.03 |
| KA | ZT | 700 | 0 | 76.1128.05 |
| ZT | KA | 700 | 0 | 76.1128.05 |
| SK | SK | 700 | 0 | 76.5425.03 |
| SK | KA | 700 | 0 | 76.1299.03 |
| SK | HE | 700 | 0 | 76.5426.03 |
| HE | SK | 700 | 0 | 76.5426.03 |
| SK | ZT | 700 | 0 | 76.5426.07 |
| ZT | SK | 700 | 0 | 76.5426.07 |
| | | | | |
| KA | KA | 700 | 10 | 76.1128.08 |
| KA | SK | 700 | 10 | 76.1299.04 |
| KA | HE | 700 | 10 | 76.1300.04 |
| HE | KA | 700 | 10 | 76.1301.04 |
| KA | ZT | 700 | 10 | 76.1128.10 |
| ZT | KA | 700 | 10 | 76.1128.10 |
| SK | SK | 700 | 10 | 76.5425.04 |
| SK | KA | 700 | 10 | 76.1299.04 |
| SK | HE | 700 | 10 | 76.5426.04 |
| HE | SK | 700 | 10 | 76.5426.04 |
| SK | ZT | 700 | 10 | 76.5426.08 |
| ZT | SK | 700 | 10 | 76.5426.08 |



| | | | | | | |
|--|--|--|---------------------|---------------|--|-------------|
| | | | unità placchetta | unit label | | 72.3090.250 |
| | | | | | | 1 |
| | | | | | | 10.00 |

| Pos. | Produkt Nr. | Service Nr. | designazione | designation | | |
|------|-------------|-------------|--------------------|----------------|----------|---|
| 1 | 72.2252 | | THERMA | | | 1 |
| 2 | 72.6384 | | THERMALINE | | | 1 |
| 3 | 76.3177 | | JUNOLINE | | | 1 |
| 4 | 1201 2031 | | ELECTROLUX | | | 1 |
| 10 | 1701 5072 | | anello di sostegno | retaining ring | Pos. 1+3 | 2 |
| 11 | 1201 2032 | | anello di sostegno | retaining ring | Pos. 4 | 2 |

72.3090.260
05.02



| Pos. | Produkt Nr. | Service Nr. | designazione | designation | | | |
|------|----------------|-------------|------------------------------|--------------------------|----------|------|---------------------------|
| | | | unità piastra monopentola | unit individual plate | 4 kW | | 72.3090.260 1 05.02 |
| 1 | 702 014 006.03 | | piastra | cooking plate | | | 1 |
| 2a | 72.0484.22 | | riscaldamento | heating | 1.505 kW | 400V | 1 |
| | 72.0484.23 | | riscaldamento | heating | 1.505 kW | 415V | 1 |
| | 72.0484.24 | | riscaldamento | heating | 1.505 kW | 440V | 1 |
| 2m | 72.0484.12 | | riscaldamento | heating | 1.335 kW | 400V | 1 |
| | 72.0484.13 | | riscaldamento | heating | 1.335 kW | 415V | 1 |
| | 72.0484.14 | | riscaldamento | heating | 1.335 kW | 440V | 1 |
| 2i | 72.0484.02 | | riscaldamento | heating | 1.160 kW | 400V | 1 |
| | 72.0484.03 | | riscaldamento | heating | 1.160 kW | 415V | 1 |
| | 72.0484.04 | | riscaldamento | heating | 1.160 kW | 440V | 1 |
| 3 | 72.0251.01 | | supporto di riscaldam. | heating element support | | | 1 |
| 4 | 72.0251.02 | | supporto di riscaldam. | heating element support | | | 3 |
| 5 | 72.0355 | | lamiera rifrattiva | heat deflector plate | | | 1 |
| 6 | 72.0350 | | isolamento | insulation | | | 1 |
| 7 | 72.0356 | | rivestimento | paneling | | | 1 |
| 8 | 1701 2516 | | vite | screw | M6x25 | | 8 |
| 9 | 72.0343.01 | | spina con filetto | threaded pin | M8x100 | | 1 |
| 10 | 1701 3044 | | dado | nut | M8x0,8D | | 3 |
| 11 | 1701 3544 | | rosetta elastica | tension disk | M6 | | 16 |