

**DE** GAS CHARGRILL 10.5KW / 21KW / 31KW  
**EN** GAS CHARGRILL 10.5KW / 21KW / 31KW

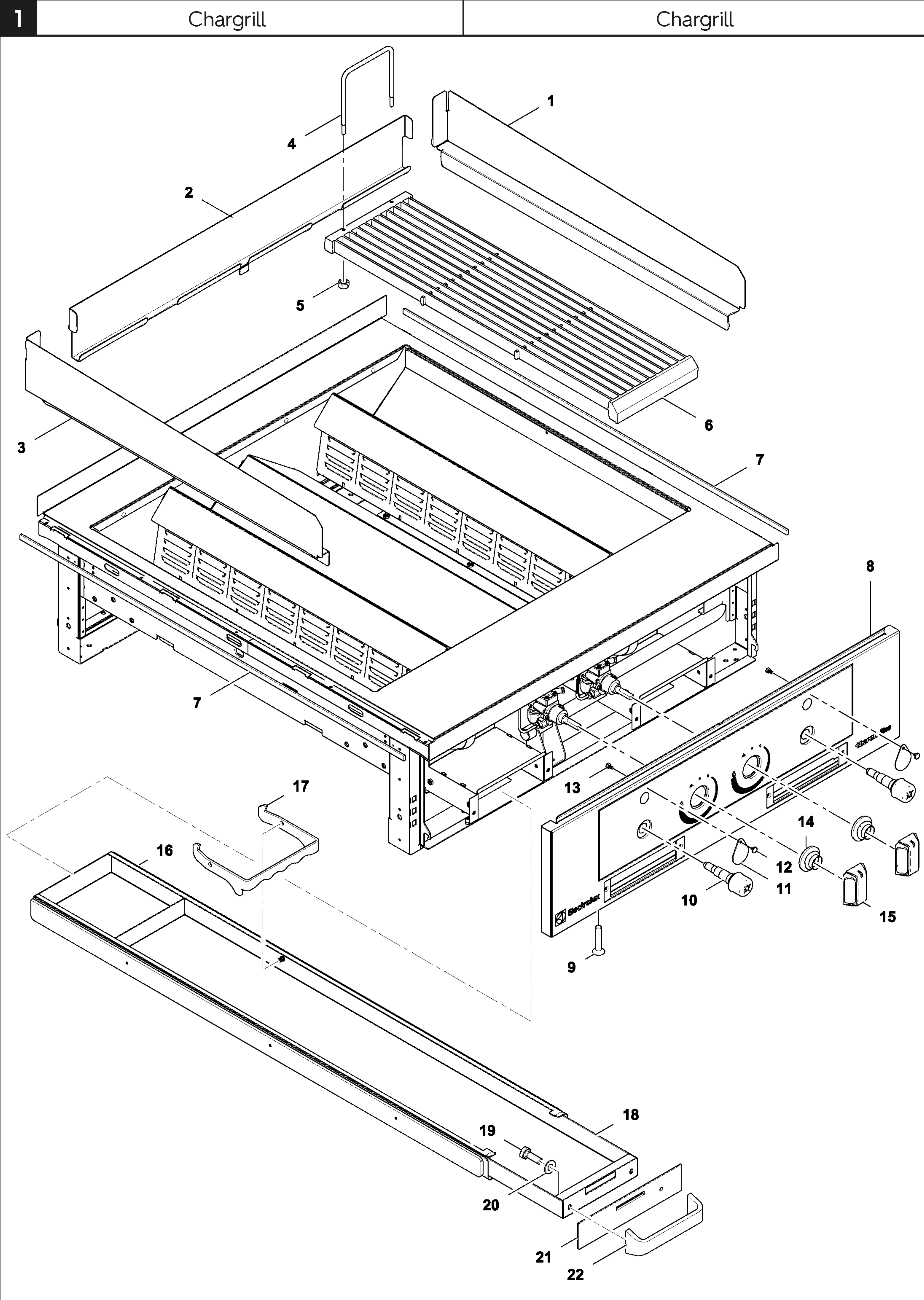
PNC	Factory Model	Ref.	Description
588618	MBDABBDOPO	a	GAS CHARGRILL, C-BOARD, 400X850X250H
588619	MBDBBBHOPO	b	GAS CHARGRILL, C-BOARD, 800X850X250H
588620	MBDCBBKOPO	c	GAS CHARGRILL, C-BOARD, 1200X850X250H
593100	MBDABBDOVO	a	GAS CHARGRILL, TOWNGAS, C-BOARD, 400X850X250H
593101	MBDBBBHOVO	b	GAS CHARGRILL, TOWNGAS, C-BOARD, 800X850X250H
589278	MCDAAADOPO	d	GAS CHARGRILL, 400X900X250H
589279	MCDAAADOPO	d	GAS CHARGRILL, C-BOARD, 400X900X250H
589280	MCDBAHOPO	e	GAS CHARGRILL, 800X900X250H
589281	MCDBABHOPO	e	GAS CHARGRILL, C-BOARD, 800X900X250H
589282	MCDCAAKOPO	f	GAS CHARGRILL, 1200X900X250H
589283	MDCABKOPO	f	GAS CHARGRILL, C-BOARD, 1200X900X250H
593300	MCDAAADOVO	d	GAS CHARGRILL, TOWNGAS, 400X900X250H
593301	MCDAAADOVO	d	GAS CHARGRILL, TOWNGAS, C-BOARD, 400X900X250H
593302	MCDBAHOVO	e	GAS CHARGRILL, TOWNGAS, 800X900X250H
593303	MCDBABHOVO	e	GAS CHARGRILL, TOWNGAS, C-BOARD, 800X900X250H

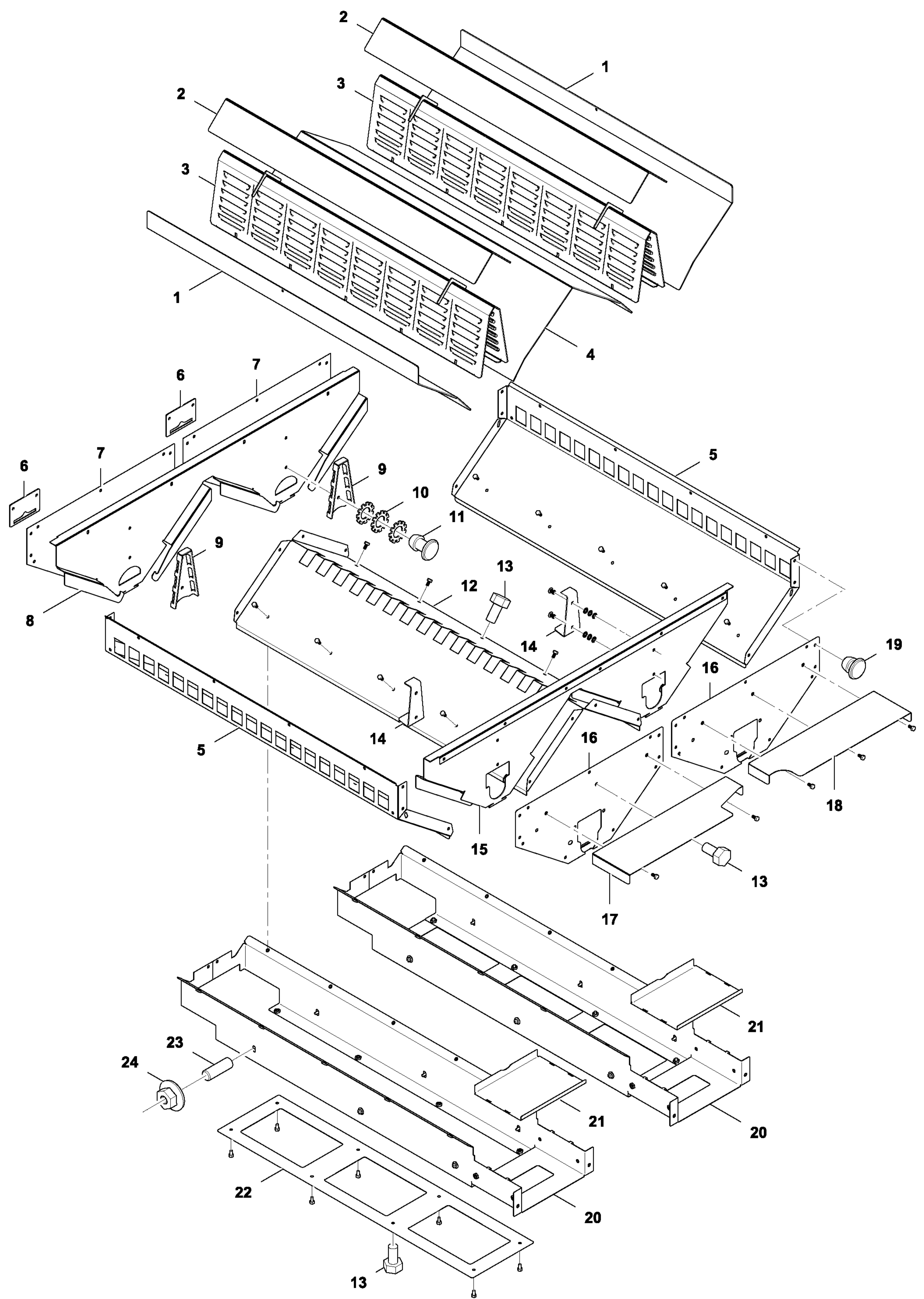
Page	Index
2	Chargrill
4	Mechanical module
6	Gas module

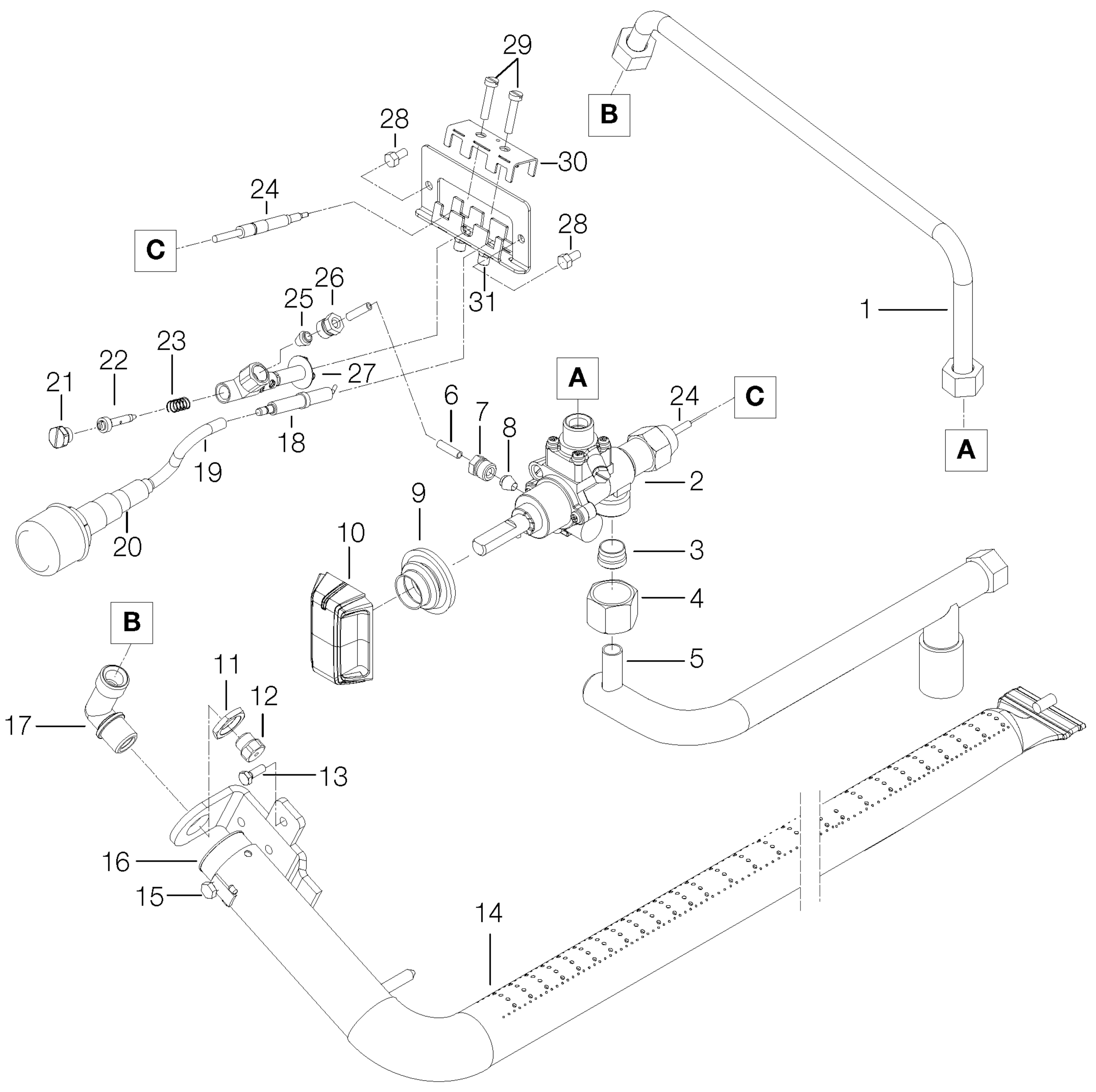
Last Updates
12/2015
10/2016

Page
all
all

Valid from Ser. № 3101....







Appliance: **CHARGRILL**      Nominal heat input : **10.5 kW**      Factory Model: **MBDXXXXP/V/Wx / MCDXXXXP/V/Wx**      Range: **850 / 900**      Doc N°: **82.8051.04**  
 Town gas: max. 9.5kW / min. 4kW

	GAS TYPE	COUNTRY	NOMINAL PRESS.	GAS TYPE <i>Testgas</i>	CATAGORY	Pressure Regulator ±1%	Nozzle C main burner (Abb. 2)				Small adjusting nozzle (Abb. 3)			Nozzle F ignition burner (Abb. 4)			Aeration adj. PILOT BURNER X (mm)	Aeration adj. MAIN BURNER D (mm) (Abb. 1)	Gas Consum.	Gas consumption Lt/min 956.5 mbar Baro / 20°C Sursee Allmendstrasse					
							Type	mm	Alias N°	Spare Part N°	mm	Alias N°	Spare Part N°	N°	Alias N°	Spare Part N°				Min.	Nominal-value	Max.			
Town Gas	1	G 110	DK, SE	8	G110	1a	-	-	7.25	51488300	???	Adjust	???	-	70	712 345056.09	056798	-	5	2,45 m³/h					
	2	G 120	SE		G120	1b	-	-	5.50	A05177700	???	Adjust	???	-	70	712 345056.09	056798	-	5	2,18 m³/h					
Natural Gas	3	Natural Gas H	HU	25	G20	2H	-	-	2.30	72.7801.40	0A2081	1.80	712 345064.36	0G4112	30	712 345056.03	0G6593	-	5	1.11 m³/h	17.90	18.84	19.78		
	4				G25.1	2S	-	-	2.55	72.7801.41	059529	1.80	712 345064.36	0G4112	30	712 345056.03	0G6593	-	4	1.29 m³/h	20.72	21.81	22.90		
	5	Natural Gas H	AT, CH, DK, EE, ES, FI, GB, GR, IE, IT, LV, NO, PT, SE, SI, SK, BG, CZ, HR, LT, RO, TR, CZ	20	G20	2H	-	-	2.45	72.7801.11	058980	1.80	712 345064.36	0G4112	30	712 345056.03	0G6593	-	5	1.11 m³/h	17.90	18.84	19.78		
	6	Natural Gas E	DE, LU, PL	20	G20	2E	-	-	2.45	72.7801.11	058980	1.80	712 345064.36	0G4112	30	712 345056.03	0G6593	-	5	1.11 m³/h	17.90	18.84	19.78		
	7	Natural Gas H/L Pressure Couple	BE, FR	20/25	G20	2E+	-	-	2.45	72.7801.11	058980	1.80	712 345064.36	0G4112	30	712 345056.03	0G6593	-	5	1.11 m³/h	17.90	18.84	19.78		
	8				G25																				
	9	Natural Gas L	NL	25	G25	2L	-	-	2.55	72.7801.41	059529	1.80	712 345064.36	0G4112	30	712 345056.03	0G6593	-	5	1.29 m³/h	20.72	21.81	22.90		
	10	Natural Gas LL	DE	20	G25	2LL	-	-	2.70	72.7801.20	056795	1.80	712 345064.36	0G4112	30	712 345056.03	0G6593	-	5	1.29 m³/h	20.82	21.91	23.01		
Liquid Gas	11	Propan	CH, DE, FR, HU, NL	50	G31	3P	-	-	1.50	72.7801.47	059384	1.05	712 345064.42	002992	20	712 345056.01	056799	-	10	0.83 Kg/h	6.72	7.07	7.43		
	12	Butan/Propan	PL	37	G30/31	3B/P	-	-	1.55	72.7801.04	0A2103	0.95	712 345064.41	002392	20	712 345056.01	056799	-	10	0.83 Kg/h	6.80	7.16	7.52		
	13		CZ, CY, DK, EE, FI, HU, LV, LT, MT, NL, NO, SE, SI, SK, BG, HR, IS, RO, TR	30					-	-	1.65	72.7801.19	0A2141	1.10	712 345064.39	0G6598	20	712 345056.01	056799	-	10	0.82 Kg/h	5.20	5.47	5.75
	14		AT, CH, DE	50					-	-	1.45	72.7801.01	0A2091	0.95	712 345064.41	002392	20	712 345056.01	056799	-	10	0.82 Kg/h	5.09	5.36	5.63
	15	Butangas Propan Pressure Couple	BE, CH, ES, FR, GB, GR, IE, IT, PT, LT, SI, CZ, EE, LV, SK	28-30/ 37	G30/31	3+	-	-	1.65	72.7801.19	0A2141	1.10	712 345064.39	0G6598	20	712 345056.01	056799	-	10	0.82 Kg/h	5.20	5.47	5.75		

