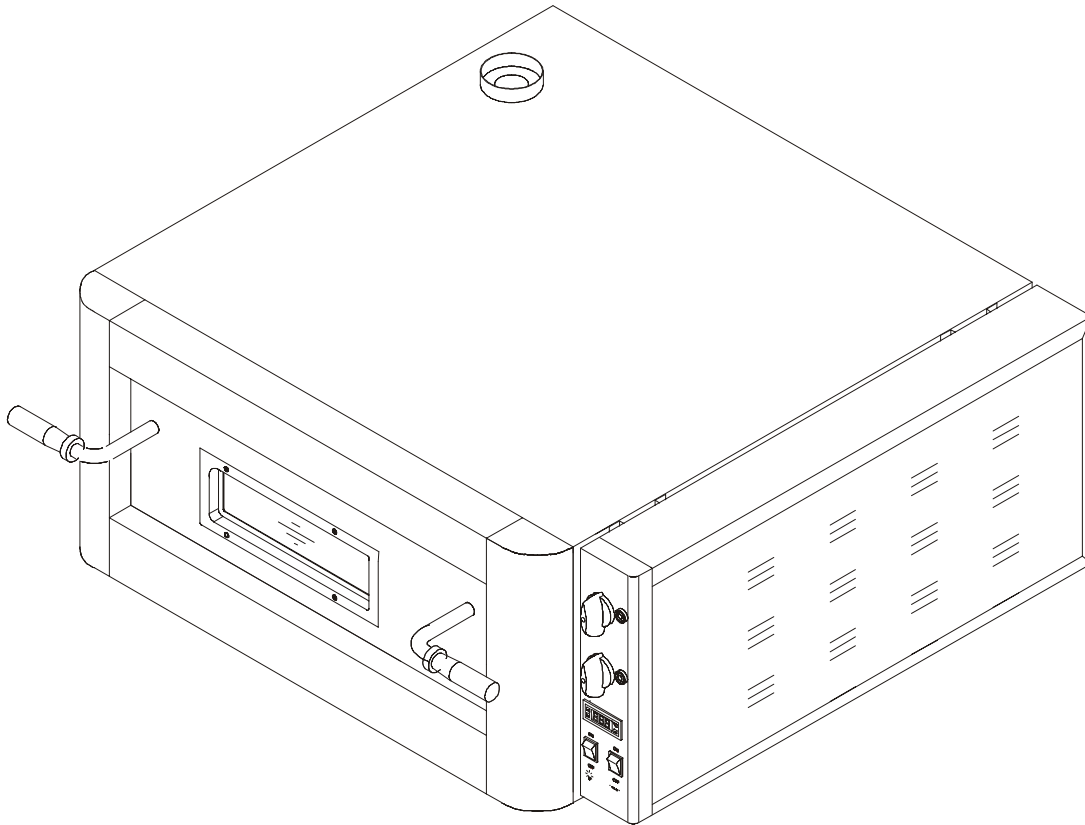


ISTRUZIONI PER L'INSTALLAZIONE E L'USO
INSTRUCTION FOR INSTALLATION AND USE
INSTALLATIONS- UND GEBRAUCHSANWEISUNG
INSTRUCTIONS POUR L'INSTALLATION ET L'UTILISATION
INSTRUCCIONES PARA LA INSTALACIÓN Y EL USO



FORNO ELE

ELEC

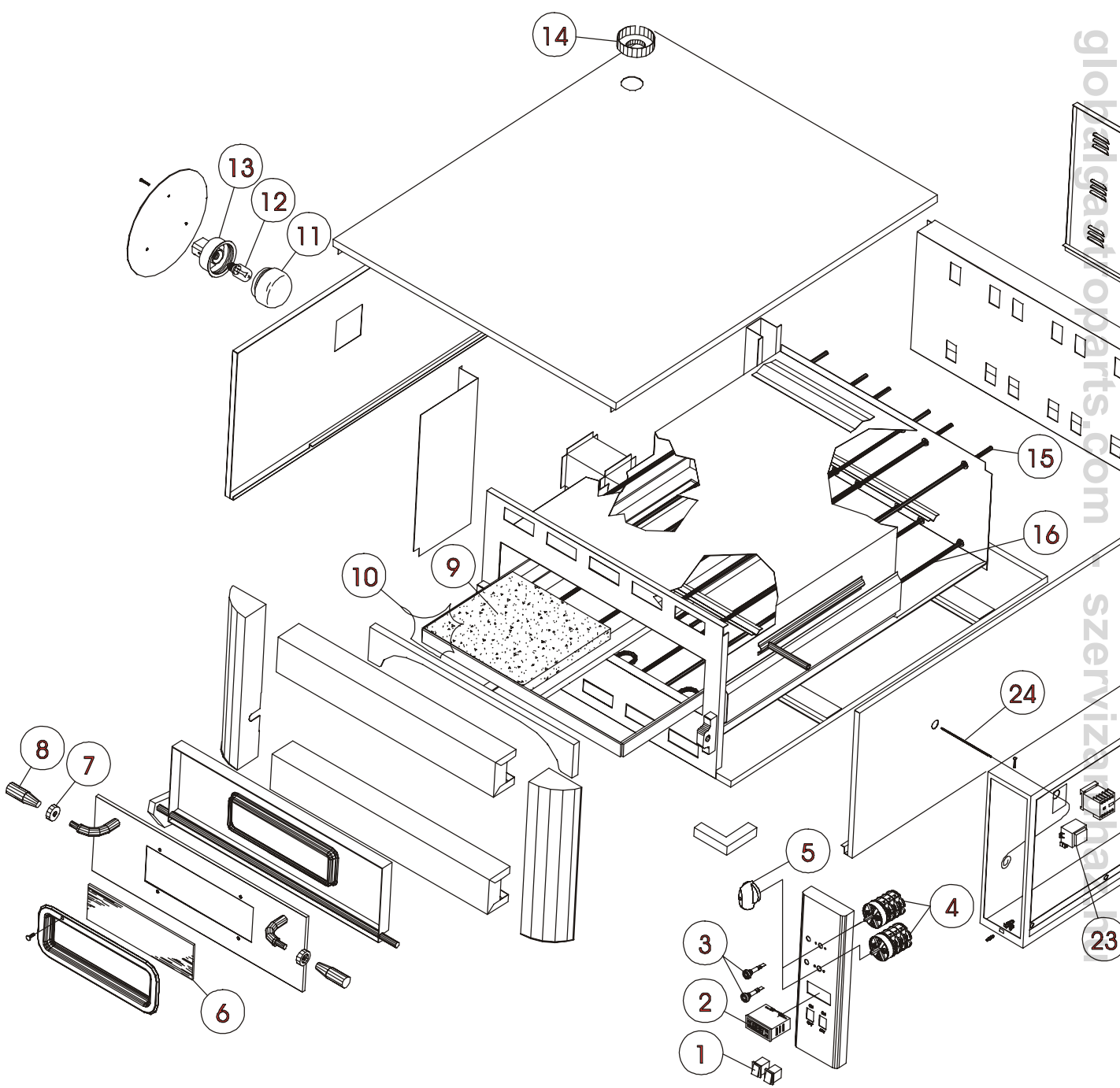
ELE

FOUR ELE

HORNO ELE

CE

szviz.hu
vizek
haz.hu
ELE
ELEC
ELE
FOUR ELE
HORNO ELE



N.	COD.	DESCRIZIONE PEZZI DI RICAMBIO	SPARE PARTS DESCRIPTION	BESCHREIBUNG DER ERSATZTEILE	DESCRIPTION DE RECHA
1	ME0000331	Interruttore 2P	Double-pole switch	Zweipoliger schalter	Interrupteur bipolaire
2	ME0000307	Termostato digitale EWPC	Electronic thermostat EWPC	Elektronisches thermostat EWPC	Thermostat électronique
3	ME0000320	Lampada spia 220V	Indicator light 220V	Kontrollampe 220V	Lampe témoin 220V
4	ME0000310	Commutatore 16A	Commutator 16A	Umschalter 16A	Commutateur 16A
5	MP0000013	Manopola commutatore	Commutator knob	Umschaltergriff	Manette commutateur
6	ADNM00000	Vetro porta	Door glazing	Türglas	Vitre porte
7	MP0000030	Rondella salvamani	Hand protection washer	Handschutzgummi	Rondelle protège-d
8	MP0000021	Manopola porta MC29x115	Door handle MC29x115	Türgriff MC29x115	Poignée porte MC2
9	ADNM00010	Pietra 300x300x30	Stone 300x300x30	Stein 300x300x30	Pierre 300x300x30
10	TEL061061	Telaio completo 61x61	Complete frame 61x61	Komplettes Gestell 61x61	Châssis complet 61
10	TEL061091	Telaio completo 61x91	Complete frame 61x91	Komplettes Gestell 61x91	Châssis complet 61
10	TEL091091	Telaio completo 91x91	Complete frame 91x91	Komplettes Gestell 91x91	Châssis complet 91
11	ADNM00003	Globetto per portalamпада E14	Ball for lampholder E14	Kleine Leuchtengloke für Fassung 14	Petit globe pour do
12	ME0000370	Lampada 25W E14	Lamp 25W E14	Glühbirne 25W E14	Lampe 25W E14
13	ME0000360	Portalamпада	Lamp holder	Glühbirnenhalterung	Douille
14	ADME01080	Ghiera camino zincata	Galvanised flue ring nut	Kaminring verzinkt	Bague cheminée g
15	ME0000011	Resistenza 800W 4-24	Heating element 800W 4-24	Heizelement 800W 4-24	Résistance 800W
15	ME0000013	Resistenza 1400W 6-26	Heating element 1400W 6-26	Heizelement 1400W 6-26	Résistance 1400W
15	ME0000015	Resistenza 2000W 9-29	Heating element 2000W 9-29	Heizelement 2000W 9-29	Résistance 2000W
16	ME0000010	Resistenza 600W 4-24	Heating element 600W 4-24	Heizelement 600W 4-24	Résistance 600W
16	ME0000012	Resistenza 1000W 6-26	Heating element 1000W 6-26	Heizelement 1000W 6-26	Résistance 1000W
16	ME0000014	Resistenza 1500W 9-29	Heating element 1500W 9-29	Heizelement 1500W 9-29	Résistance 1500W
17	ME0000395	Raccordo D32	Connection D32	Anschluß D32	Raccord D32
18	ME0000392	Pressacavo PG21	Cable clamp PG21	Kabelabgang PG21	Serre-fils PG21
18	ME0000393	Pressacavo PG29	Cable clamp PG29	Kabelabgang PG29	Serre-fils PG29
19	ME0000387	Morsettiera BAM/6	Terminal board BAM/6	Klemmleiste BAM/6	Bornier BAM/6
20	ME0000388	Morsetto 2P	Terminal board 2P	Klemmleiste 2P	Bornier 2P
21	ME0000306	Termostato di sicurezza 500 C	Safe thermostat 500 C	Überhitzungsschutz 500 C	Thermostat de sécur
22	ME0000590	Minicontattore 1-0	Mini contactor 1-0	Minischütz 1-0	Minicontacteur 1-0
22	ME0000591	Contattore 1-0	Contactor 1-0	Schütz 1-0	Contacteur 1-0
23	ME0000410	Trasformatore 230-12	Transformer 230-12	Trasformator 230-12	Trasformateur 230-
24	ME0000400	Sonda TCJ	Probe TCJ	Sonde TCJ	Sonde TCJ