

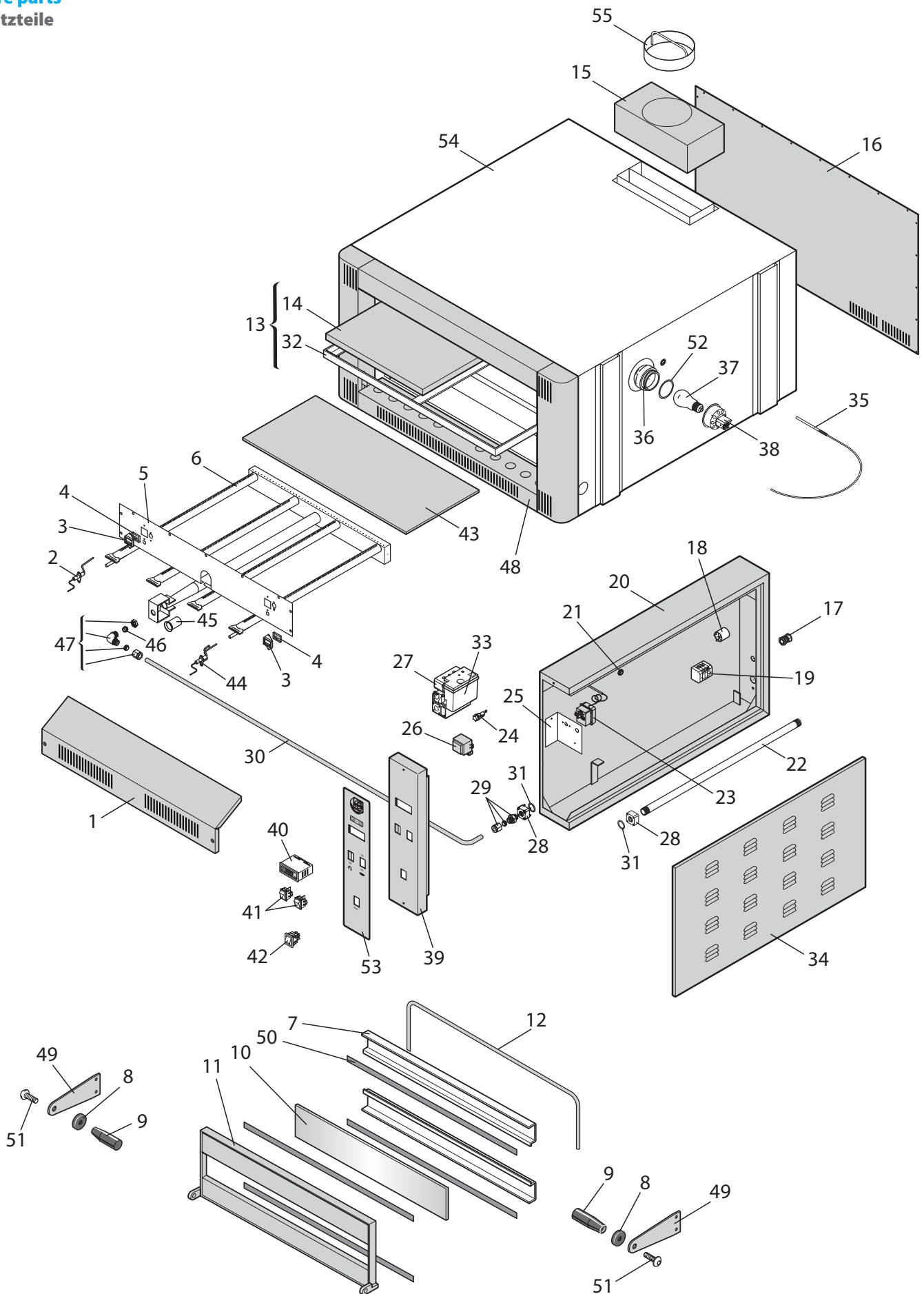
Gas

Manuale installazione e uso
User and installation manual
Installations- und Gebrauchshandbuch



Parti di ricambio
Spare parts
Ersatzteile

GAS



Nr.	Codice Code	Descrizione	Description	Beschreibung	Q.
1	92210120	Banco mobile inox GS433 - GS633	Mobile bench GS433 - GS633	Brennerblende vorne fest GS433 - GS633	1
1	92210130	Banco mobile inox GS933	Mobile bench GS933	Brennerblende vorne fest GS933	1
2	91310490	Candela ionizzatore	Ionisation plug	Ionisationskerze	1
3	92210300	Ghiera vetrino gas	Metal ring glass	Fassung für glas 28x28	1
4	91610011	Vetro borosilicato 28x28	Burner small glass pane 28x28	Glas 28x28	1
5	92210290	Pannello riparafiamma GS433 - GS633	Flame guard panel GS433 - GS633	Paneel Flammen Schütz GS433 - GS633	1
5	92210291	Pannello riparafiamma GS933	Flame guard panel GS933	Paneel Flammen Schütz GS933	1
6	92210280	Brucciatoe lavorato GS433	Burner GS433	Brenner GS433	1
6	92210281	Brucciatoe lavorato GS633 - GS933	Burner GS633 - GS933	Brenner GS633 - GS933	1
7	92210705	Fermavetro porta GS433 - GS633 2012	Glazing bead profile GS433 - GS633 2012	Glashalteprofil GS433 - GS633 2012	1
7	92210706	Fermavetro porta GS933 2012	Glazing bead profile GS933 2012	Glashalteprofil GS933 2012	1
8	91510060	Rondella salvamani nera per MC	Hand protection washer	Handschutz	1
9	91510011	Manopola MC 29x115 nera	Door handle MC 29x115	Türgriff MC 29x115	1
10	91610015	Vetro ceramico 686x93	Door glazing 686x93	Türglas 686x93	1
10	91610016	Vetro ceramico 1016x93	Door glazing 1016x93	Türglas 1016x93	1
11	92210550	Struttura porta GS433 - GS633 2012	Door structure GS433 - GS633 2012	Türstruktur GS433 - GS633 2012	1
11	92210551	Struttura porta GS933 2012	Door structure GS933 2012	Türstruktur GS933 2012	1
12	92210560	Guarnizione porta GS433 - GS633	Door packing GS433 - GS633	Türdichtung GS433 - GS633	1
12	92210561	Guarnizione porta GS933	Door packing GS933	Türdichtung GS933	1
13	92210570	Telaio completo GS433	Complete frame GS433	Ramen Komplet mit Steine GS433	1
13	92210571	Telaio completo GS633	Complete frame GS633	Ramen Komplet mit Steine GS633	1
13	92210572	Telaio completo GS933	Complete frame GS933	Ramen Komplet mit Steine GS933	1
14	91610072	Pietra 330x330x30	Stone 330x330x30	Stein 330x330x30	1
15	92210340	Cappa posteriore gas	Rear hood	Hinterer Abzugshaube	1
16	92210200	Schiena GS433 - GS633	Rear panel GS433 - GS633	Hinteres Paneel GS433 - GS633	1
16	92210201	Schiena GS933	Rear panel GS933	Hinteres Paneel GS933	1
17	91510220	Pressacavo PG 9	Cable clamp PG 9	PG 9 Zug entlastung	1
18	91310360	Filtro antisturbo forno gas	Filter	Störungs Filter	1
19	91310230	Morsettiera G10/3 monofase	Single-phase terminal board G10/3	Klemmleiste einphasig G10/3	1
20	92210210	Scatola comandi gas	Command box	Schaltkasten	1
21	91510200	Passacavo in gomma	Grommet	Kabeldurchführung	1
22	92210250	Tubo alimentazione gas	Gas feeding pipe	Zuleitungsrohr Gas	1
23	91310050	Termostato di sicurezza monofase	Single-phase safe thermostat	Überhitzungsschutz einphasig	1
24	91310510	Portafusibile gas	Fuse block	Sicherungshalterung	1
25	92210240	Staffa porta comandi gas	Controls bracket	Haltebügel Kontrollpaneel	1
26	91310350	Trasformatore 230-12	Transformer 230-12	Transformator 230-12	1
27	91310340	Elettrovalvola 830 tandem	Solenoid valve 830	Elektroventil 830	1
28	91410320	Flangia per elettrovalvola 830	Flange for solenoid valve	Flansch für elektroventil 830	1
29	91410310	Raccordo per tubo rame D12x1/2	Copper pipe connector D12x1/2	Verbindung Kupferrohr D12x1/2	1
30	92210580	Tubo rame sagomato GS433 - GS633	Copper pipe GS433 - GS633	Kupferrohr Bogen GS433 - GS633	1
30	92210581	Tubo rame sagomato GS933	Copper pipe GS933	Kupferrohr Bogen GS933	1
31	91510165	O-erre per elettrovalvola	Seal ring for solenoid valve	O.R.Ring für elektroventil 830	1
32	92210310	Telaio pietre GS433	Frame for stone GS433	Halterahmen GS433	1
32	92210311	Telaio pietre GS633	Frame for stone GS633	Halterahmen GS633	1
32	92210312	Telaio pietre GS933	Frame for stone GS933	Halterahmen GS933	1
33	91310280	Controllo di fiamma forno gas	Ignition card	Zündungskarte	1

Parti di ricambio
Spare parts
Ersatzteile

GAS

Nr.	Codice Code	Descrizione	Description	Beschreibung	Q.
34	92210260	Pannello laterale gas	Lateral panel	Seitenpaneel Karosserie	1
35	91310211	Sonda TCJ per forni	Temperature sensor TCJ	Sonde TCJ	1
36	91610021	Globetto portalamпада grande	Ball for lamp holder	Leuchtenglocke	1
37	91310206	Lampada alogena G9 40W 230V (*)	Halogen lamp G9 40W 230V (*)	Halogenlampe G9 40W 230V (*)	1
38	91310187	Portalamпада G9 grande (**)	Lamp holder G9 (**)	Lampenhalterung G9 (**)	1
39	92210230	Cruscotto gas	Electronic instrument panel	Blende Steuerung	1
40	91310030	Termostato digitale 12V forno a gas	Electronic thermostat 12V	Elektronisches Thermostat 12V	1
41	91310085	Interruttore verde 2P	Double-pole switch	Zweipoliger Schalter Grün	1
42	91310090	Interruttore rosso 2P ist.	Red double-pole switch	Zweipoliger Schalter Rot	1
43	92210320	Piastra 640x345	Steel plate 640x345	Platte 640x345	1
43	92210321	Piastra 640x510	Steel plate 640x510	Platte 640x510	1
43	92210322	Piastra 970x330	Steel plate 970x330	Platte 970x330	1
43	92210323	Piastra 970x360	Steel plate 970x360	Platte 970x360	1
44	91310480	Candela accensione	Spark plug	Zündkerze	1
45	92210350	Boccola regolaz. aria GS433 D.20-18	Air adjustment bushing GS433 D.20-18	Luftregulierung GS433 D.20-18	1
45	92210351	Boccola regol. aria GS633-GS933 D.26-24	Air adjustm. bushing GS633-GS933 D.26-24	Luftregulierung GS633 - GS933 D.26-24	1
46	92210370	Ugello D.160	Nozzle D.160	Düse D.160	1
46	92210371	Ugello D.180	Nozzle D.180	Düse D.180	1
46	92210372	Ugello D.190	Nozzle D.190	Düse D.190	1
46	92210373	Ugello D.215	Nozzle D.215	Düse D.215	1
46	92210374	Ugello D.245	Nozzle D.245	Düse D.245	1
46	92210375	Ugello D.285	Nozzle D.285	Düse D.285	1
46	92210376	Ugello D.295	Nozzle D.295	Düse D.295	1
46	92210377	Ugello D.310	Nozzle D.310	Düse D.310	1
46	92210378	Ugello D.340	Nozzle D.340	Düse D.340	1
46	92210379	Ugello D.355	Nozzle D.355	Düse D.355	1
46	92210380	Ugello D.370	Nozzle D.370	Düse D.370	1
46	92210381	Ugello D.375	Nozzle D.375	Düse D.375	1
46	92210382	Ugello D.380	Nozzle D.380	Düse D.380	1
46	92210383	Ugello D.410	Nozzle D.410	Düse D.410	1
47	92210360	Raccordo gomito portaug. Completo D.12	Nozzle carrying elbow D.12	Haltebügel Gasdüsen D.12	1
48	92210625	Facciata completa GS433 - GS633 2012	Complete facade GS433 - GS633 2012	Kompletten Fassade GS433 - GS633 2012	1
48	92210626	Facciata completa GS933 2012	Complete facade GS933 2012	Kompletten Fassade GS933 2012	1
49	92210710	Maniglia porta GS 2012	Stainless steel handle GS 2012	Edelstahlgriff GS 2012	1
50	92210590	Guarnizione vetro GS433 - GS633	Glass gasket GS433 - GS633	Scheibendichtung GS433 - GS633	1
50	92210591	Guarnizione vetro GS933	Glass gasket GS933	Scheibendichtung GS933	1
51	91110007	Vite inox TBE M12x30	St. steel TBE M12x30 screws	Schraube Edelstahl TBE M12x30	1
52	91410000	Ghiera portalamпада metallica	Ring for lamp holder ball	Dichtung für lampenhalterung	1
53	91611050	Frontale comandi gas	Front panel	Frontpaneel	1
54	92210190	Involucro GS433	Casing GS433	Hülle GS433	1
54	92210191	Involucro GS633	Casing GS633	Hülle GS633	1
54	92210192	Involucro GS933	Casing GS933	Hülle GS933	1
55	92210330	Ghiera cappa posteriore gas	Ring for rear hood	Fassung für Hintere Abzugshaube	1

(*) (IT) - dal 01/06/2008 sostituisce 91310191: Lampada alogena E14 25W 230V; (GB) - from 01/06/2008 replaces 91310191: Halogen lamp E14 25W 230V;
(DE) - ab dem 01/06/2008 ersetzt 91310191: Halogenlampe E14 25W 230V.

(**) (IT) - dal 01/06/2008 sostituisce 91310186: Portalamпада E14 grande; (GB) - from 01/06/2008 replaces 91310186: Lamp holder E14;
(DE) - ab dem 01/06/2008 ersetzt 91310186: Lampenhalterung E14.