

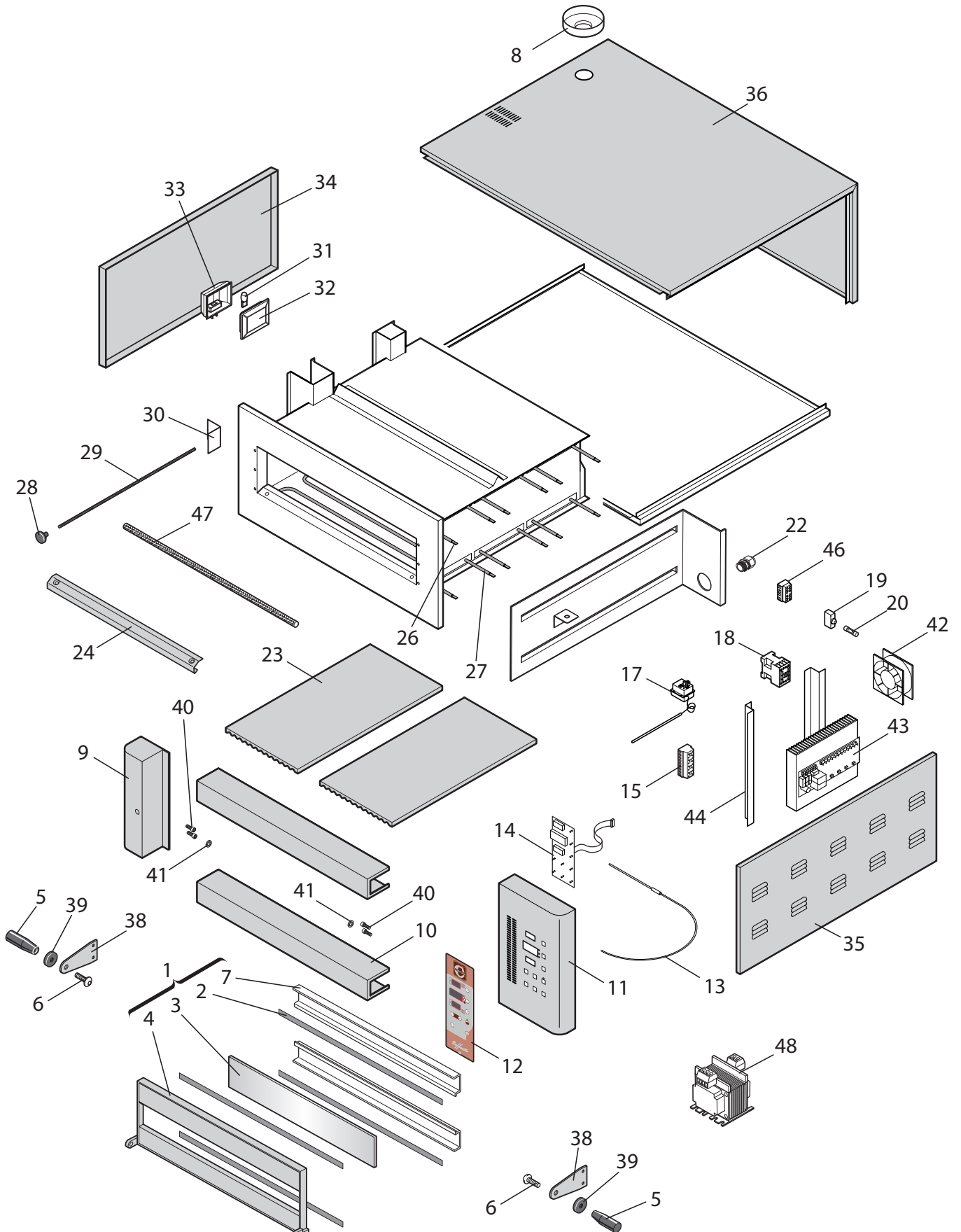
# Raffaello (D)

Manuale installazione e uso  
User and installation manual  
Installations- und Gebrauchshandbuch



Parti di ricambio  
Spare parts  
Ersatzteile

RF430/1D - RF630/1D - RF630L/1D - RF930/1D



**Parti di ricambio**

**Spare parts**

**Ersatzteile**

**RF430/1D - RF630/1D - RF630L/1D - RF930/1D**

Nr.	Codice Code RF430/1D	Codice Code RF630/1D	Codice Code RF630L/1D	Codice Code RF930/1D	Descrizione	Description	Beschreibung	Q.
1	92810062	92810062	92710301	92710301	Assieme porta	Door unit	Türensatz	1
2	92820162	92820162	92720261	92720261	Guarnizione vetro	Glass gasket	Scheibendichtung	4
3	91610001	91610001	91610008	91610008	Vetro porta	Door glass	Türscheibe	1
4	92820132	92820132	92720221	92720221	Struttura porta	Door structure	Türrahmen	1
5	91510011	91510011	91510011	91510011	Manopola	Knob	Drehknopf	2
6	91110007	91110007	91110007	91110007	Vite inox TBE M12x30	St. steel TBE M12x30 screws	Schraube Edelstahl TBE M12x30	2
7	92820152	92820152	92720241	92720241	Profilo fermavetro	Glazing bead profile	Glashalteprofil	2
8	92810150	92810150	92810150	92810150	Ghiera camino	Flue ring nut	Schraubring Dampfablass	1
9	92710180	92710180	92710180	92710180	Colonna sx	Left column	Linke Säule	1
10	92710220	92710220	92710230	92710230	Banco	Counter	Bank	2
11	92710205	92710205	92710205	92710205	Colonna dx	Right column	Rechte Säule	1
12	91611640	91611640	91611640	91611640	Frontale comandi	Control panel front	Frontblende	1
13	91310212	91310212	91310212	91310212	Sonda TCJ	TCJ probe	Sonde TCJ	1
14	91310256	91310256	91310256	91310256	Scheda di controllo	Control board	Kontrollkarte	1
15	91310231	91310231	91310231	91310231	Morsettiera	Terminal board	Klemmenbrett	1
17	91310051	91310051	91310051	91310051	Termostato di sicurezza	Safety thermostat	Sicherheitsthermostat	1
18	91310136	91310136	91310136	91310136**	Contattore	Contactore	Schütz	1
19	91310511	91310511	91310511	91310511	Portafusibile	Fuse box	Sicherungshalterung	1
20	91310502	91310502	91310502	91310502	Fusibile	Fuse	Sicherung	1
22	91510223	91510223	91510223	91510223	Pressacavo	Cable gland	Zugentlastung	1
23	91610130	91610131	91610130	91610131	Mattone refrattario	Firebrick	Schamottestein	2/3*
24	92710040	92710040	92710041	92710041	Profilo fermapietre	Glazing bead profile	Steinhalteprofil	1
26	91711220	91711221	91711222	91711223	Resistenza superiore	Upper heating element	Oberer Heizwiderstand	3
27	91711200	91711201	91711202	91711203	Resistenza inferiore	Lower heating element	Unterer Heizwiderstand	3
28	91510046	91510046	91510046	91510046	Pomolo camino	Flue knob	Knauf Dampfablass	1
29	92720190	92720191	92720190	92720191	Asta camino	Flue pipe	Stange Dampfablass	1
30	92720210	92720210	92720210	92720210	Scorrevole camino	Sliding flue	Gleitelement Dampfablass	1
31	91310196	91310196	91310196	91310196	Lampada alogena	Halogen lamp	Halogenlampe	1
32	91610025	91610025	91610025	91610025	Vetro portalampada	Glass lamp holder	Leuchtenglas	1
33	91810185	91810185	91810185	91810185	Portalampada	Light socket	Glühbirnenhalterung	1
34	92710140	92710141	92710140	92710141	Pannello sx	Left panel	Paneel links	1
35	92710160	92710161	92710160	92710161	Pannello dx	Right panel	Paneel rechts	1
36	92710080	92710081	92710082+ 92710084	92710083+ 92710084	Involucro	Enclosure	Hülle	1
38	92810130	92810130	92810130	92810130	Maniglia inox	Stainless steel handle	Edelstahlgriff	2
39	91510060	91510060	91510060	91510060	Rondella salvamani	Flat (hand protection) washer	Handschutzgummi	2
40	91110011	91110011	91110011	91110011	Vite zincate TCE M8x16	Zinc-coated TCE M8x16 screws	Schraube verzinkt TCE M8x16	4
41	92810140	92810140	92810140	92810140	Rondella porta	Door washer	Unterlegscheibe Tür	2
42	91310320	91310320	91310320	91310320	Ventola	Fan	Gebälse	1
43	91310305	91310305	91310305	91310305	Scheda di potenza	Power board	Leistungsplatine	1
44	92710260	92710260	92710260	92710260	Sostegno scheda di potenza	Power board support	Halterung Leistungsplatine	1
46	91310236	91310236	91310236	91310236	Morsettiera G5/4	Terminal board G5/4	Klemmenbrett G5/4	1
47	92720280	92720280	92720281	92720281	Guarnizione porta	Fibreglass gasket	Glasfaserdichtung	1
48	91310356	91310356	91310356	91310356	Trasformatore 230/12V 50VA	Transformer 230/12V 50VA	Transformator 230/12V 50VA	1

\* = 2 mattoni per i modelli RF430/1D e RF630/1D; - 3 mattoni per i modelli RF630L/1D e RF930/1D.

2 bricks for models RF430/1D and RF630/1D; - 3 bricks for models RF630L/1D and RF930/1D.

2 Stein beim Modell RF430/1D und RF630/1D; - 3 Stein beim Modell RF630L/1D und RF930/1D.

\*\* = 91310145 - RF 935/930 AC 3 230 50/60 Hz