

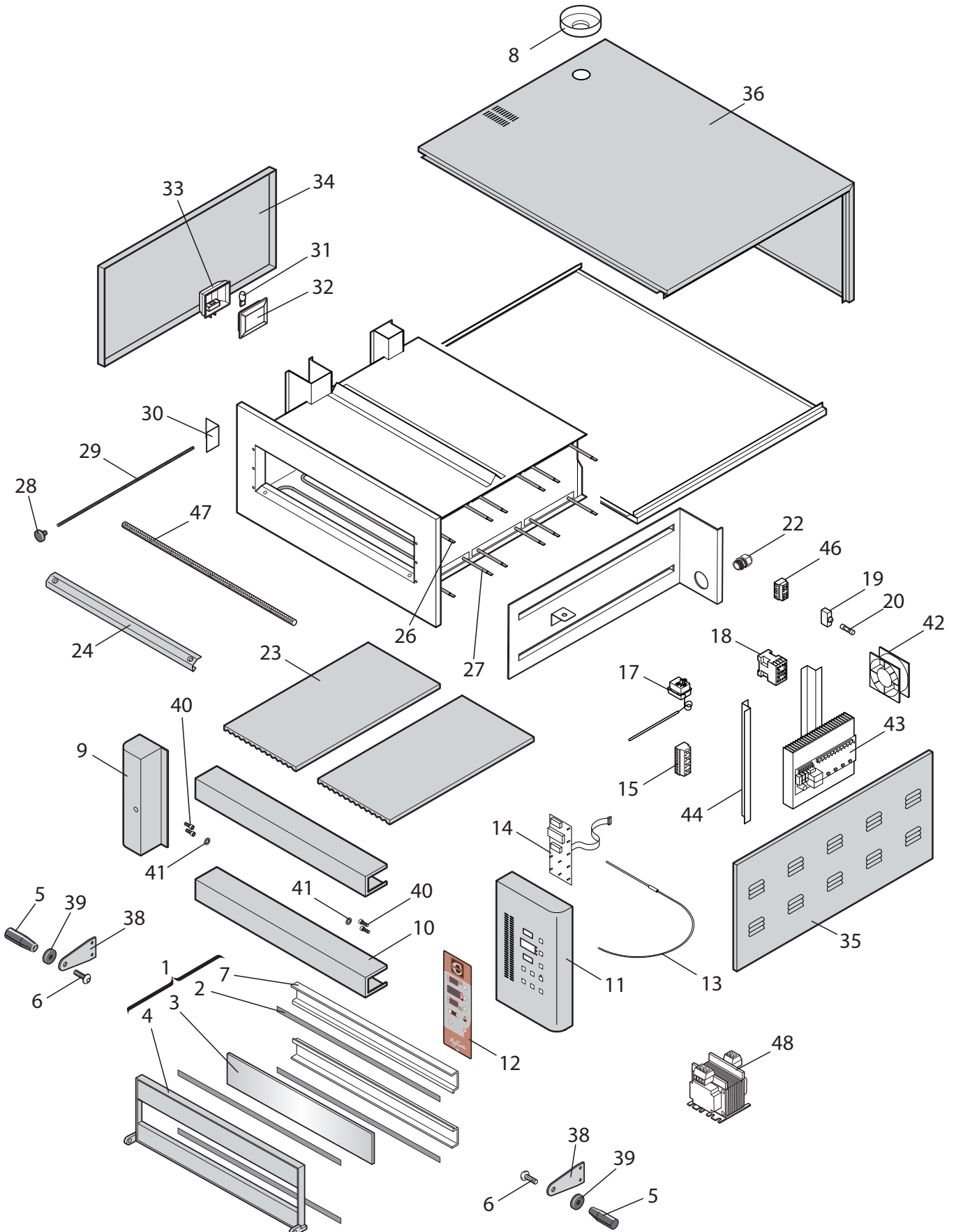
Raffaello (D)

Manuale installazione e uso
User and installation manual
Installations- und Gebrauchshandbuch



Parti di ricambio
Spare parts
Ersatzteile

RF435/1D - RF635/1D - RF635L/1D - RF935/1D



Parti di ricambio

Spare parts

Ersatzteile

RF435/1D - RF635/1D - RF635L/1D - RF935/1D

| Nr. | Codice Code RF435/1D | Codice Code RF635/1D | Codice Code RF635L/1D | Codice Code RF935/1D | Descrizione | Description | Beschreibung | Q. |
|-----|----------------------|----------------------|-----------------------|-----------------------|----------------------------|-------------------------------|-------------------------------|------|
| 1 | 92810063 | 92810063 | 92710311 | 92710311 | Assieme porta | Door unit | Türensatz | 1 |
| 2 | 92820163 | 92820163 | 92720271 | 92720271 | Guarnizione vetro | Glass gasket | Scheibendichtung | 4 |
| 3 | 91610003 | 91610003 | 91610007 | 91610007 | Vetro porta | Door glass | Türscheibe | 1 |
| 4 | 92820133 | 92820133 | 92720231 | 92720231 | Struttura porta | Door structure | Türrahmen | 1 |
| 5 | 91510011 | 91510011 | 91510011 | 91510011 | Manopola | Knob | Drehknopf | 2 |
| 6 | 91110007 | 91110007 | 91110007 | 91110007 | Vite inox TBE M12x30 | St. steel TBE M12x30 screws | Schraube Edelstahl TBE M12x30 | 2 |
| 7 | 92820153 | 92820153 | 92720251 | 92720251 | Profilo fermavetro | Glazing bead profile | Glashalteprofil | 2 |
| 8 | 92810150 | 92810150 | 92810150 | 92810150 | Ghiera camino | Flue ring nut | Schraubring Dampfablass | 1 |
| 9 | 92710180 | 92710180 | 92710180 | 92710180 | Colonna sx | Left column | Linke Säule | 1 |
| 10 | 92710240 | 92710240 | 92710250 | 92710250 | Banco | Counter | Bank | 2 |
| 11 | 92710205 | 92710205 | 92710205 | 92710205 | Colonna dx | Right column | Rechte Säule | 1 |
| 12 | 91611640 | 91611640 | 91611640 | 91611640 | Frontale comandi | Control panel front | Frontblende | 1 |
| 13 | 91310212 | 91310212 | 91310212 | 91310212 | Sonda TCJ | TCJ probe | Sonde TCJ | 1 |
| 14 | 91310256 | 91310256 | 91310256 | 91310256 | Scheda di controllo | Control board | Kontrollkarte | 1 |
| 15 | 91310231 | 91310231 | 91310231 | 91310231 | Morsettiera | Terminal board | Klemmenbrett | 1 |
| 17 | 91310051 | 91310051 | 91310051 | 91310051 | Termostato di sicurezza | Safety thermostat | Sicherheitsthermostat | 1 |
| 18 | 91310136 | 91310136 | 91310136 | 91310136** | Contattore | Contactore | Schütz | 1 |
| 19 | 91310511 | 91310511 | 91310511 | 91310511 | Portafusibile | Fuse box | Sicherungshalterung | 1 |
| 20 | 91310502 | 91310502 | 91310502 | 91310502 | Fusibile | Fuse | Sicherung | 1 |
| 22 | 91510223 | 91510223 | 91510223 | 91510223 | Pressacavo | Cable gland | Zugentlastung | 1 |
| 23 | 91610140 | 91610141 | 91610140 | 91610141 | Mattone refrattario | Firebrick | Schamottestein | 2/3* |
| 24 | 92710050 | 92710050 | 92710051 | 92710051 | Profilo fermapietre | Glazing bead profile | Steinhalteprofil | 1 |
| 26 | 91711230 | 91711231 | 91711235 | 91711233 | Resistenza superiore | Upper heating element | Oberer Heizwiderstand | 3 |
| 27 | 91711210 | 91711211 | 91711212 | 91711213 | Resistenza inferiore | Lower heating element | Unterer Heizwiderstand | 3 |
| 28 | 91510046 | 91510046 | 91510046 | 91510046 | Pomolo camino | Flue knob | Knauf Dampfablass | 1 |
| 29 | 92720200 | 92720201 | 92720200 | 92720201 | Asta camino | Flue pipe | Stange Dampfablass | 1 |
| 30 | 92720210 | 92720210 | 92720210 | 92720210 | Scorrevole camino | Sliding flue | Gleitelement Dampfablass | 1 |
| 31 | 91310196 | 91310196 | 91310196 | 91310196 | Lampada alogena | Halogen lamp | Halogenlampe | 1 |
| 32 | 91610025 | 91610025 | 91610025 | 91610025 | Vetro portalampada | Glass lamp holder | Leuchtenglas | 1 |
| 33 | 91810185 | 91810185 | 91810185 | 91810185 | Portalampada | Light socket | Glühbirnenhalterung | 1 |
| 34 | 92710150 | 92710151 | 92710150 | 92710151 | Pannello sx | Left panel | Paneel links | 1 |
| 35 | 92710170 | 92710171 | 92710170 | 92710171 | Pannello dx | Right panel | Paneel rechts | 1 |
| 36 | 92710100 | 92710101 | 92710102+ 92710104 | 92710103+ 92710104 | Involucro | Enclosure | Hülle | 1 |
| 38 | 92810130 | 92810130 | 92810130 | 92810130 | Maniglia inox | Stainless steel handle | Edelstahlgriff | 2 |
| 39 | 91510060 | 91510060 | 91510060 | 91510060 | Rondella salvamani | Flat (hand protection) washer | Handschutzgummi | 2 |
| 40 | 91110011 | 91110011 | 91110011 | 91110011 | Vite zincate TCE M8x16 | Zinc-coated TCE M8x16 screws | Schraube verzinkt TCE M8x16 | 4 |
| 41 | 92810140 | 92810140 | 92810140 | 92810140 | Rondella porta | Door washer | Unterlegscheibe Tür | 2 |
| 42 | 91310320 | 91310320 | 91310320 | 91310320 | Ventola | Fan | Gebälse | 1 |
| 43 | 91310305 | 91310305 | 91310305 | 91310305 | Scheda di potenza | Power board | Leistungsplatine | 1 |
| 44 | 92710260 | 92710260 | 92710260 | 92710260 | Sostegno scheda di potenza | Power board support | Halterung Leistungsplatine | 1 |
| 46 | 91310236 | 91310236 | 91310236 | 91310236 | Morsettiera G5/4 | Terminal board G5/4 | Klemmenbrett G5/4 | 1 |
| 47 | 92720282 | 92720282 | 92720283 | 92720283 | Guarnizione porta | Fibreglass gasket | Glasfaserdichtung | 1 |
| 48 | 91310356 | 91310356 | 91310356 | 91310356 | Trasformatore 230/12V 50VA | Transformer 230/12V 50VA | Transformator 230/12V 50VA | 1 |

* = 2 mattoni per i modelli RF435/1D e RF635/1D; - 3 mattoni per i modelli RF635L/1D e RF935/1D.

2 bricks for models RF435/1D and RF635/1D; - 3 bricks for models RF635L/1D and RF935/1D.

2 Stein beim Modell RF435/1D und RF635/1D; - 3 Stein beim Modell RF635L/1D und RF935/1D.

** = 91310145 - RF 935/930 AC 3 230 50/60 Hz