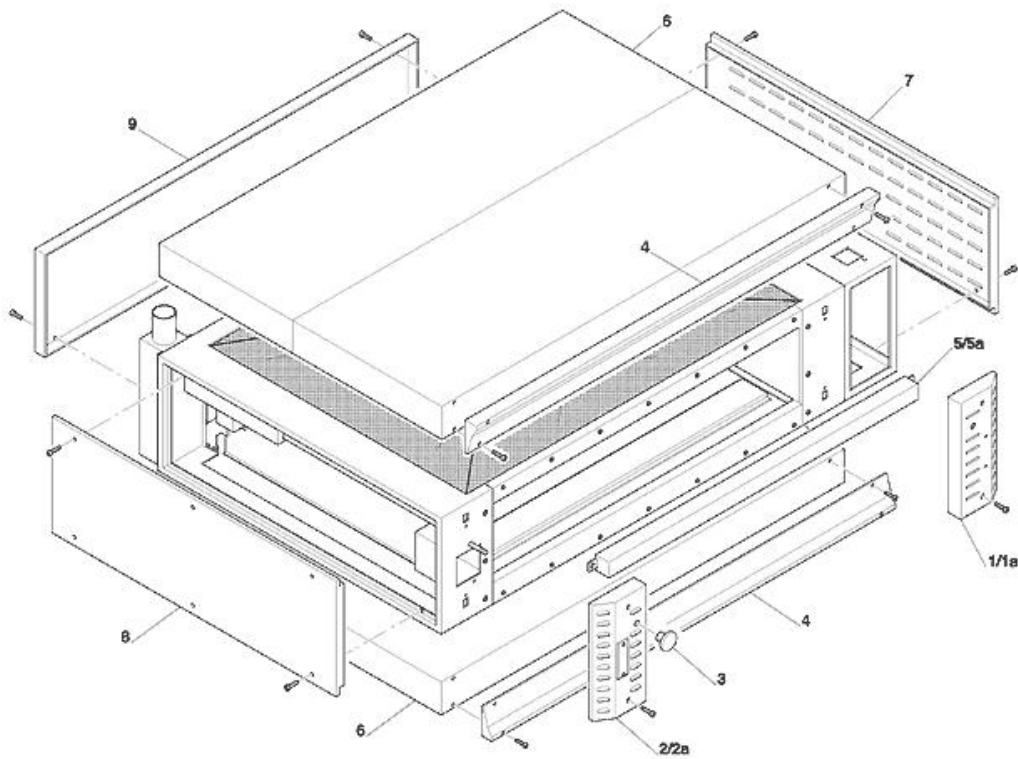


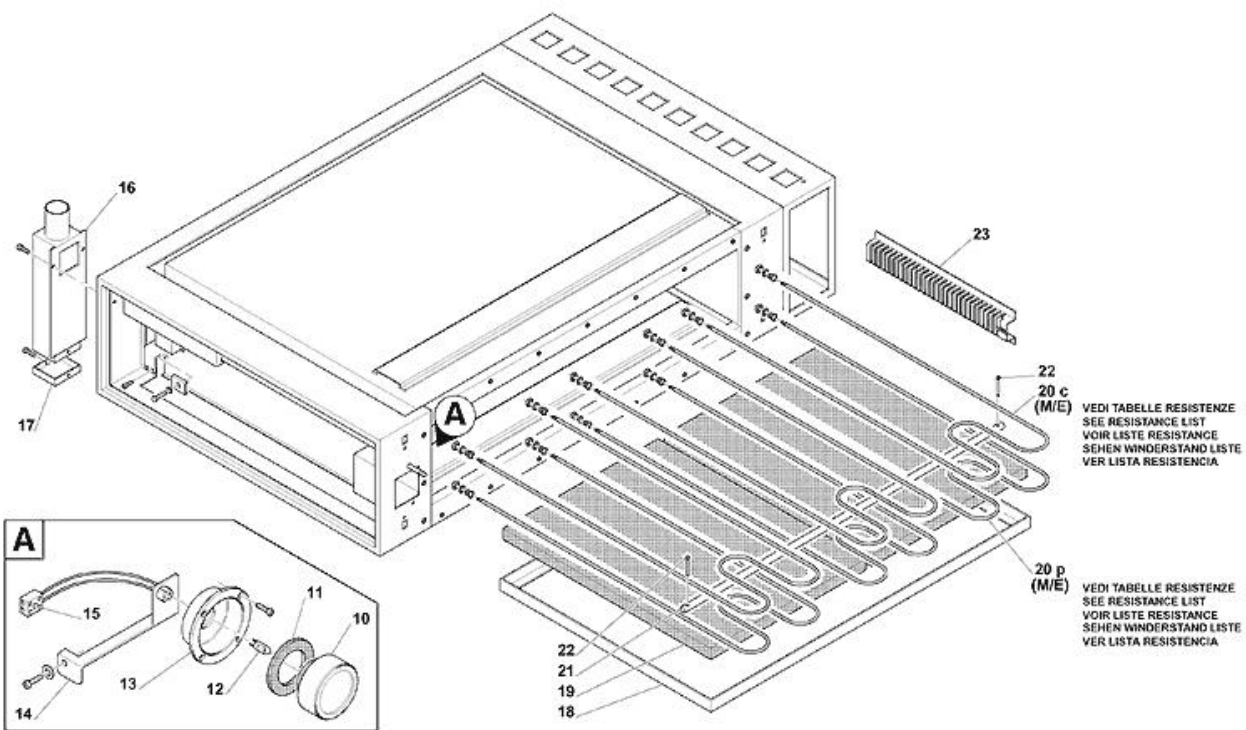


-
- 1 Pannelli
 - 2 Forno
 - 3 Forno con angolare
 - 4 Porta frontale
 - 5 Quadro analogico
 - 6 Quadro digitale
 - 7 Tabella resistenze
 - 8 Cappa
 - 9 Supporto
 - 10 Cella



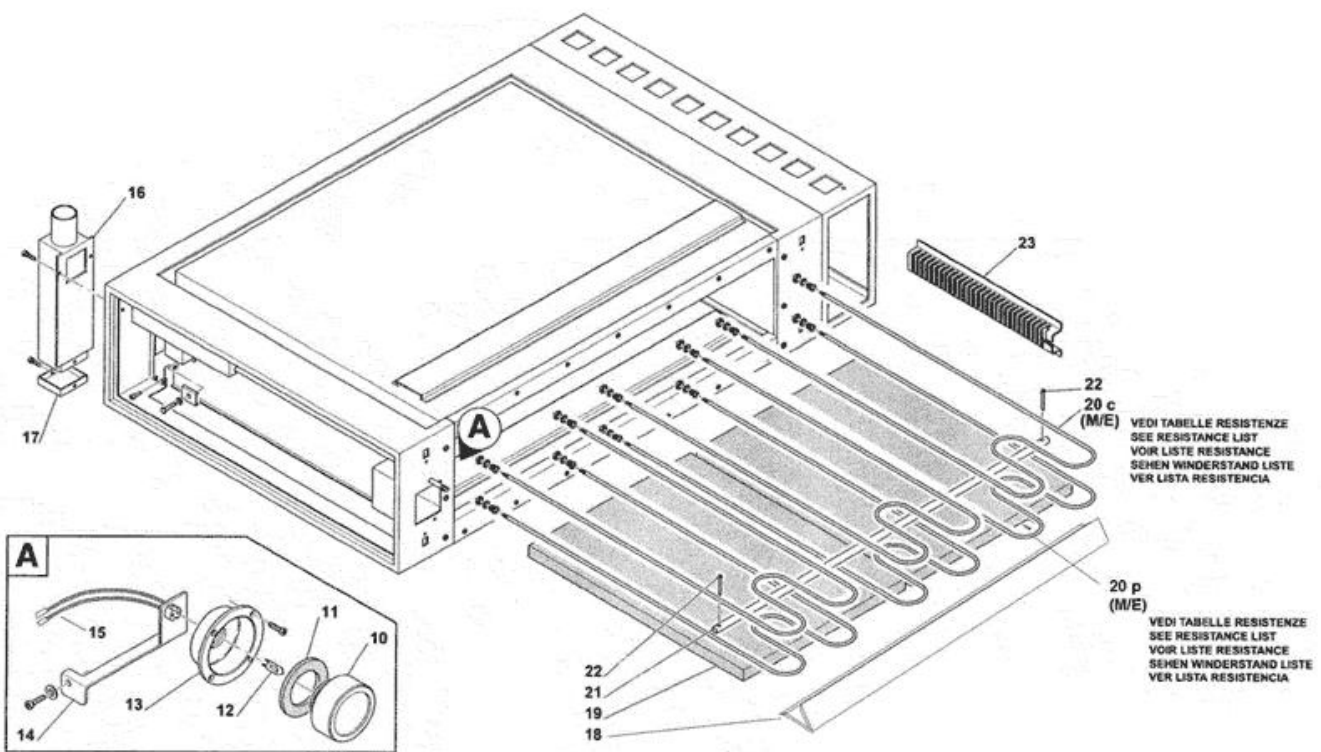


| Pos | Codice | Descrizione | notes | |
|-------|--------|-------------------------------------|-------|--|
| 0001A | WPVT0 | C.P.FRONT.DX F.S.2000R (WPRT0 | | |
| 0002 | WPST3 | PANNELLO FRONTALE SX ST | | |
| 0002A | WPVT1 | C.P.FRONT.SX F.S.2000R S(WPRT1 | | |
| 0003 | AC065 | POMELLO CAMINO FORNO PL/50 M10 | | |
| 0004 | WSL20 | COMP.TRAV SUP/INF 69-66 V.N. | | |
| 0004 | WSL25 | TRAV.SUP/INF. 77 | | |
| 0004 | WSL30 | C.TRAV SUP/INF 96/99/109 V.N. | | |
| 0004 | WSL35 | C.TRAV SUP/INF F.111 V.N(WSL35 | | |
| 0005 | WPSC0 | C.CAPPA F.96/99/109 STANDARD | | |
| 0005 | WSL06 | CAPPA STANDARD 111 | | |
| 0005 | WSS04 | COMP.CAPPA ST FORNO 77/1-2-3 | | |
| 0005 | WSS06 | COMPLESSIVO CAPPA F. 66/69 STANDARD | | |
| 0005A | WPVC0 | C.CAPPA 96-99-109 SM.M(WPRCO) | | |
| 0005A | WRL06 | CAPPA RUSTICA 111 | | |
| 0005A | WRS04 | COMPL.CAPPA F.77 R SM.M | | |
| 0005A | WRS06 | C.CAPPA RU 66-69/1-2-3 SM.M. | | |
| 0006 | WPC38 | COP.SUP/INF. 77 | | |
| 0006 | WPC48 | COP.SUP/INF. 96 | | |
| 0006 | WPC57 | COP.SUP/INF. 99 | | |
| 0006 | WPC68 | COP.SUP/INF. 66 | | |
| 0006 | WPC70 | C.COP.SUP. INF F.69 V.N T.N. | | |
| 0006 | WPC72 | COP.SUP/INF. 109 | | |
| 0006 | WPC74 | COP.SUP/INF. 111 | | |
| 0007 | WP221 | FIANCO DX F.77/96/66 (NERO) | | |
| 0007 | WP331 | FIANCO DX+SX F.69/99TV + GAS | | |
| 0007 | WP441 | FIANCO DX+SX 111+109 (NERO)TV | | |
| 0008 | WP140 | COPERTURA LAT. 77 | | |
| 0008 | WP222 | FIANCO SX F.96/66 (NERO) | | |
| 0008 | WP332 | FIANCO SX F.69/99 (NERO) | | |
| 0008 | WP442 | FIANCO SX 111+109 (NERO) | | |
| 0009 | WP033 | SCHIENALE 69/66/SG22/23(NERO) | | |
| 0009 | WP133 | SCHIENALE 77 | | |
| 0009 | WP333 | SCHIENALE 96+99+109+33GAS(NERO) | | |
| 0009 | WP344 | SCHIENALE FORNO 111 (NERO) | | |



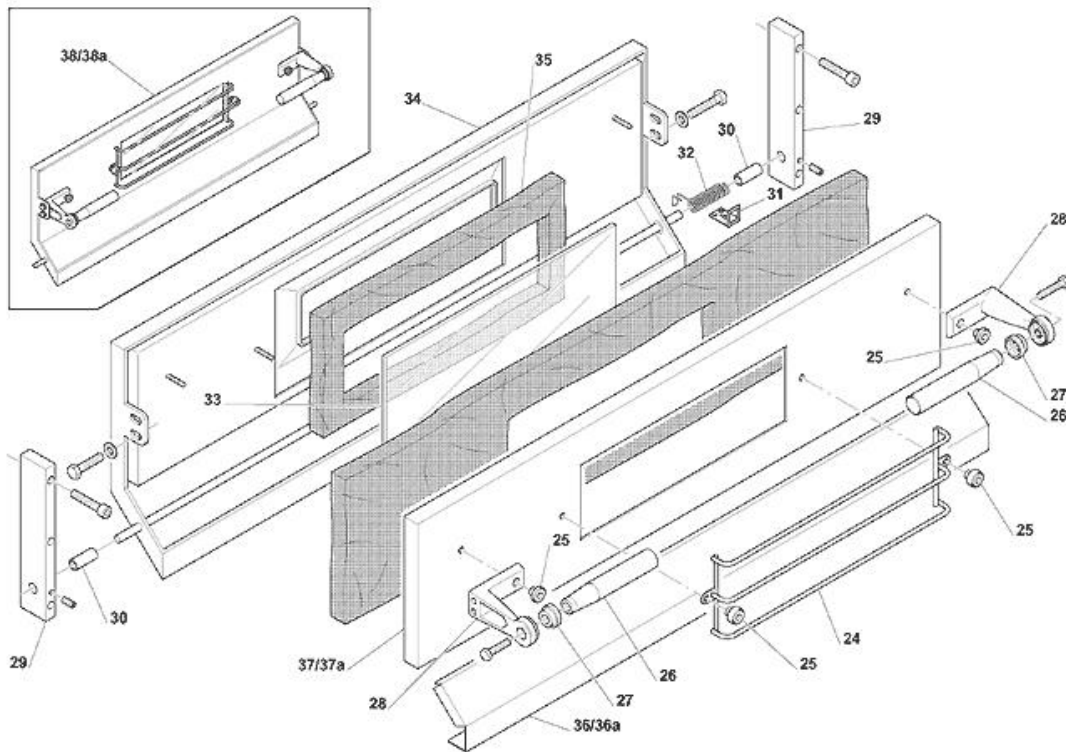


| Pos | Codice | Descrizione | notes | |
|-------|--------|---|-------|--|
| 0010 | AL201 | VETRO LAMPADA F.S2000+PJ+MF+DS | | |
| 0011 | AL266 | GUARN.LAMP.DI.32,5 D.E.55 SP12 | | |
| 0012 | EL062 | MICROLAMP.ALOG.GY6.35 12V 35 W | | |
| 0013 | QAT22 | PARABOLA LUCE IN ALLUM.FORNI | | |
| 0014 | HAT64 | FISSAGGIO LAMPADA F.S.2000 | | |
| 0015 | EL056 | COMPL.PORTALAMPADA FORNI | | |
| 0016 | WCE40 | COMPL.CAM.ESTERNO S.2000 ACC. | | |
| 0017 | WCE37 | TAPPO INF.CAM.EST.S.2000 ACC. | | |
| 0018 | DSC14 | PROTEZ.P.REFRATT.4-8 DS/CL 66T | | |
| 0018 | HGV31 | C.TELAIO GRATA 33 GAS V(HG310 | | |
| 0018 | HGV40 | C.TEL.GRATA 34+109 V.A(HG410) | | |
| 0018 | HGV45 | C.TELAIO GRATA F.111 V.A(HG450 | | |
| 0018 | KG230 | C.TEL.GRATA SG23+69-96-5-10-11 | | |
| 0018 | WGV22 | TELAIO GRATA 77 | | |
| 0019 | AL151 | PIETRA 622X606X25 22-66-MF4/8 | | |
| 0019 | AL179 | PIETRA REFR.913X455X19 F.99 | | |
| 0019 | AL180 | PIETRA REFR.1213X455X19 F.109 | | |
| 0019 | AL181 | PIETRA REF.1142X557,5X19 F111 | | |
| 0019 | AL182 | PIETRA REFR.913X606X19 F.69-96 | | |
| 0019 | AL204 | PIETRA REFR.697X355X19 F77/435 | | |
| 0020C | ZZZZ01 | VEDI TABELLA RESISTENZE | | |
| 0020P | ZZZZ01 | VEDI TABELLA RESISTENZE | | |
| 0021 | WKLO3 | ANGOLARE SOSTEGNO RESISTENZA F96(1). F99(2). F109(2) | | |
| 0021 | WKLO4 | ANGOLARE SOSTEGNO RESISTENZA F.111 | | |
| 0021 | WKSO4 | ANGOLARE SOSTEGNO RESISTENZA F69(2) | | |
| 0021 | WKSO5 | ASTA SOSTEGNO RESIST. 77 (1) | | |
| 0022 | MD036 | COPIGLIA SICUREZZA F.2-LL.35 | | |
| 0023 | HAT99 | PROTEZ.BULBO INT.CAM.M+H+GAS | | |



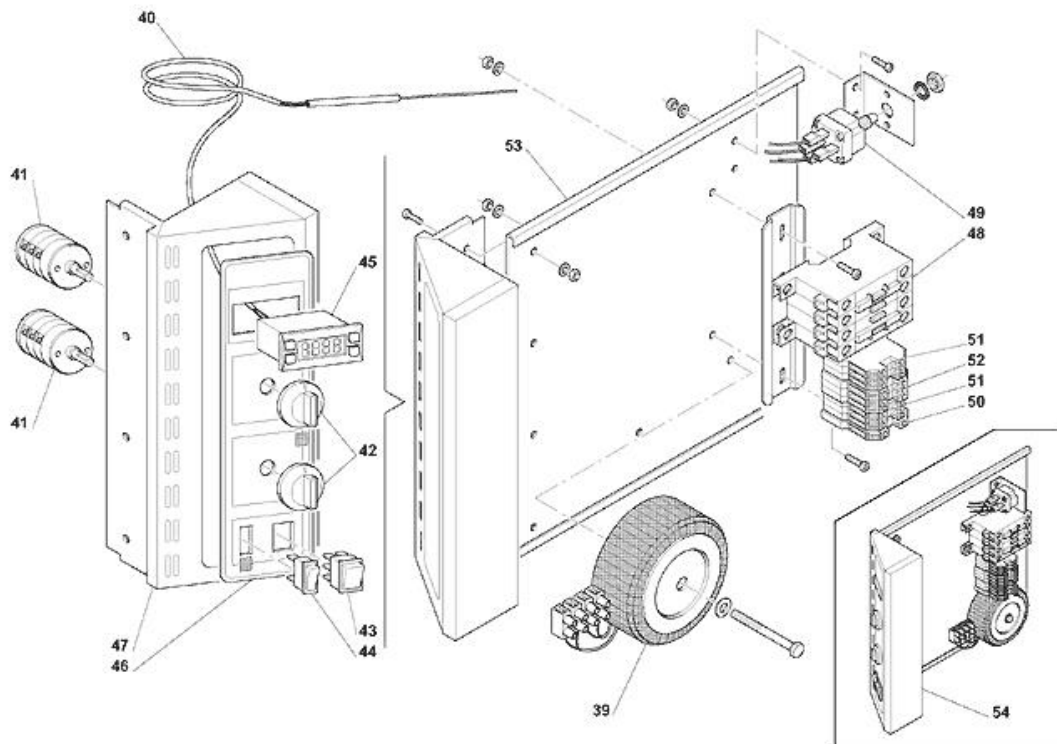


| Pos | Codice | Descrizione | notes | |
|-------|--------|---|-------|--|
| 0010 | AL201 | VETRO LAMPADA F.S2000+PJ+MF+DS | | |
| 0011 | AL266 | GUARN.LAMP.DI.32,5 D.E.55 SP12 | | |
| 0012 | EL062 | MICROLAMP.ALOG.GY6.35 12V 35 W | | |
| 0013 | QAT22 | PARABOLA LUCE IN ALLUM.FORNI | | |
| 0014 | HAT64 | FISSAGGIO LAMPADA F.S.2000 | | |
| 0015 | EL056 | COMPL.PORTALAMPADA FORNI | | |
| 0016 | WCE40 | COMPL.CAM.ESTERNO S.2000 ACC. | | |
| 0017 | WCE37 | TAPPO INF.CAM.EST.S.2000 ACC. | | |
| 0018 | HGV31 | C.TELAIO GRATA 33 GAS V(HG310 | | |
| 0018 | HGV40 | C.TEL.GRATA 34+109 V.A(HG410) | | |
| 0018 | HGV45 | C.TELAIO GRATA F.111 V.A(HG450 | | |
| 0018 | KG230 | C.TEL.GRATA SG23+69-96-5-10-11 | | |
| 0018 | WGV22 | TELAIO GRATA 77 | | |
| 0019 | AL151 | PIETRA 622X606X25 22-66-MF4/8 | | |
| 0019 | AL179 | PIETRA REFR.913X455X19 F.99 | | |
| 0019 | AL180 | PIETRA REFR.1213X455X19 F.109 | | |
| 0019 | AL181 | PIETRA REF.1142X557,5X19 F111 | | |
| 0019 | AL182 | PIETRA REFR.913X606X19 F.69-96 | | |
| 0019 | AL204 | PIETRA REFR.697X355X19 F77/435 | | |
| 0020c | ZZZZ01 | VEDI TABELLA RESISTENZE | | |
| 0020p | ZZZZ01 | VEDI TABELLA RESISTENZE | | |
| 0021 | HKSV3 | ASTA SOST.RES.F.66-69+MF | | |
| 0021 | WKLO3 | ANGOLARE SOSTEGNO RESISTENZA F96(1). F99(2). F109(2) | | |
| 0021 | WKLO4 | ANGOLARE SOSTEGNO RESISTENZA F.111 | | |
| 0021 | WKSO4 | ANGOLARE SOSTEGNO RESISTENZA F69(2) | | |
| 0021 | WKSV3 | ASTA SOSTEGNO RESIST. 77 (1) | | |
| 0022 | MD036 | COPIGLIA SICUREZZA F.2-LL.35 | | |
| 0023 | HAT99 | PROTEZ.BULBO INT.CAM.M+H+GAS | | |



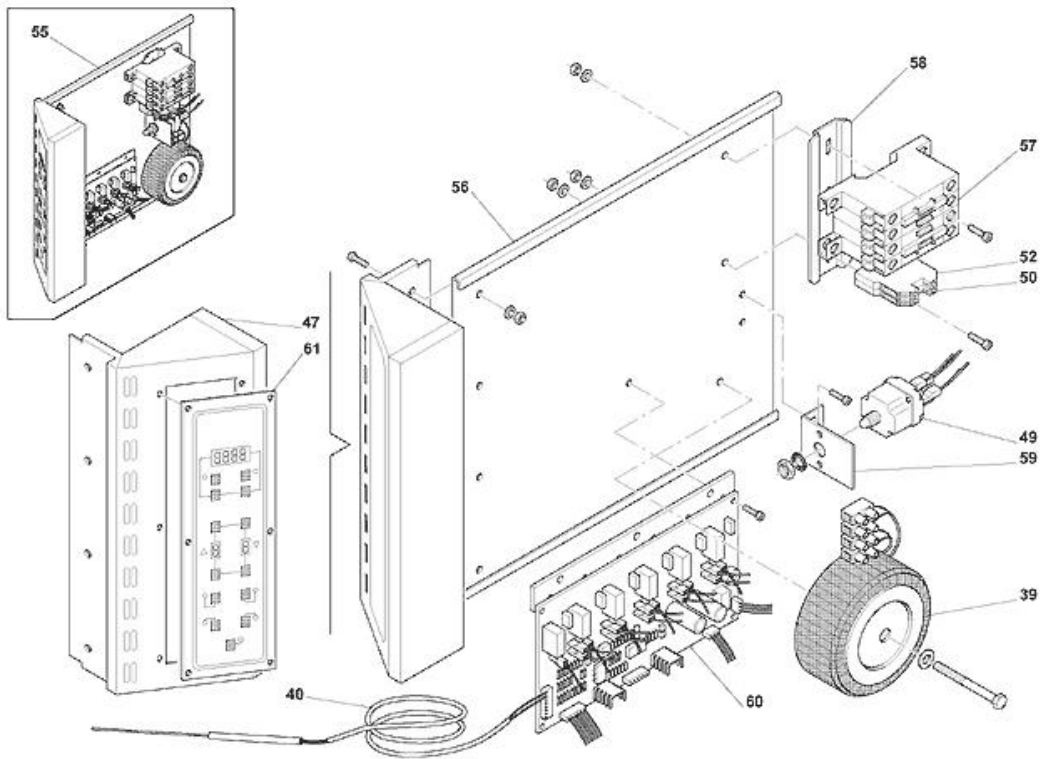


| Pos | Codice | Descrizione | notes | |
|-------|--------|---------------------------------|-------|--|
| 0024 | AH068 | GRIGLIA PROT.VETRO PORTA CROM. | | |
| 0025 | QST03 | VOLANTINO PORTA | | |
| 0026 | AC066 | MANOP.P.FORNO TP.N.MC/29X115 | | |
| 0027 | AC071 | RONDELLA D.36 H.12 FORO 8,5 | | |
| 0028 | HDTV3 | PIATTO P/MANIGLIA IN ALLUMINIO | | |
| 0029 | WKT03 | SOS.PORTA 40X15L=278 V.N.WKT03 | | |
| 0030 | HKT01 | BOCCOLA PERNO PORTA D.14X10X22 | | |
| 0031 | HAT04 | ANGOLARE REG.MOLLA 4/8/5/10 TR | | |
| 0032 | MD049 | MOLLA F.2.5-16 CM.48 FORNO | | |
| 0033 | AL276 | VETRO P.CERAM.MM.131X410 SP.4 | | |
| 0034 | HDLA0 | C.TEL.PORTA F.96-99-109/11-15 | | |
| 0034 | HDSA0 | C.TEL.PORTA F.66-69/MF4-8-5-10 | | |
| 0034 | WDL00 | C.TEL.PORTA F.111 in ACCIAIO | | |
| 0034 | WDS00 | C.TELAIO PORTA FORNO 331/77 | | |
| 0035 | AL278 | GUARNIZIONE VETRO 430X155 MM | | |
| 0036 | HSL01 | COPRIPORTA STAND.INF.96-99-109 | | |
| 0036 | HSS01 | COPRIP.INF.S 66/69-4-8CL-5-10 | | |
| 0036 | WSL01 | COPRIPORTA INF.RE ST 111 | | |
| 0036 | WSS01 | COPRIPORTA INF. STAND. 77 | | |
| 0036A | HRLV1 | COPR.INF.96-99-109R V.N(HSL01) | | |
| 0036A | HRSV1 | COPRIP.INF.22-23 R SM.M(HRS01) | | |
| 0036A | WRL01 | COPRIPORTA INF.F.111 SM.(WRL01) | | |
| 0036A | WRS01 | COPRIPORTA INF. RUST. 77 | | |
| 0037 | HSLP2 | COPRIP.SUP.ST 11/15/96/99/109 | | |
| 0037 | HSSP2 | COPRIP.SUP.ST MODU+TRI(HSSS2) | | |
| 0037 | WSL02 | COPRIPORTA SUP. STAND. 111 | | |
| 0037 | WSSP2 | COPRIPORTA SUP. STAND. 77 | | |
| 0037A | HRLV2 | COPR.SUP.F.96-99-109RVN(HSLP2) | | |
| 0037A | HRSV2 | COP.SUP.F.66-69 ST+P.SM(HRSP2) | | |
| 0037A | WRL02 | COPRIPORTA SUP. RUST. 111 | | |
| 0037A | WRS02 | COPRIPORTA SUP. RUST. 77 | | |
| 0038 | HSD69 | C.PORTA 69-66S+SG22+23 | | |
| 0038 | HSD99 | C.PORTA 96/99/109S+SG33 | | |
| 0038 | WDSL0 | C.PORTA STANDARD F.111-344 | | |
| 0038 | WDS31 | COMPL.PORTA STAND. 77 | | |
| 0038A | HRD69 | COMPL.PORTA RUSTICA 66/69 | | |
| 0038A | HRD99 | C.PORTA 96/99/109R+RG33+GRIGL. | | |
| 0038A | WDLR0 | C.PORTA RUSTICA F.344+111 PREM | | |
| 0038A | WDR31 | COMPL.PORTA RUSTICA 77 | | |





| Pos | Codice | Descrizione | notes | |
|------|--------|--------------------------------|-------|--|
| 0039 | EH045 | TRASF.TOROID.T50W 230/12+MORS. | | |
| 0040 | ED065 | TERMOC"J"D.2X250+CAVO 1,5MT | | |
| 0041 | EH009 | COMMUTAT.TRIPOLARE 16A.FORNI | | |
| 0042 | AC062 | MANOPOLA COMMUTAT.EH009+EH030 | | |
| 0043 | EF004 | Interruttore bipolare | | |
| 0044 | EF023 | DEVIAT.UNIP.NERO 16A LAMP.INT. | | |
| 0045 | ED077 | TERM.IC 912 TCJ 230V.PR.SP.OEM | | |
| 0046 | AM443 | TARGA COMANDI F.S.2000 MECC.TN | | |
| 0047 | WFB43 | C.FR.COM.S 2000 MOD.(WFE43)V.N | | |
| 0048 | EN082 | TELERUTTORE BF.9.10.230.50.60 | | |
| 0049 | ED023 | TERMOST.DI SICURA+RIP.MANUALE | | |
| 0050 | EP071 | MORSET.TERRA GI/VE WKN 10SL/U | | |
| 0051 | EP002 | Morsetto a vite | | |
| 0052 | EP009 | MORSETTO COMP.WKN 10/U GRIGIO | | |
| 0053 | WPS33 | PANN.SCORRIMENTO | | |
| 0054 | HS105 | C.PANN.ESTR.FS.2000 M TP.N.2V. | | |





| Pos | Codice | Descrizione | notes | |
|------|--------|--------------------------------|-------|--|
| 0039 | EH045 | TRASF.TOROID.T50W 230/12+MORS. | | |
| 0040 | ED065 | TERMOC"J"D.2X250+CAVO 1,5MT | | |
| 0047 | WFB43 | C.FR.COM.S 2000 MOD.(WFE43)V.N | | |
| 0049 | ED023 | TERMOST.DI SICURA+RIP.MANUALE | | |
| 0050 | EP071 | MORSET.TERRA GI/VE WKN 10SL/U | | |
| 0052 | EP009 | MORSETTO COMP.WKN 10/U GRIGIO | | |
| 0055 | HS102 | C.PANN.ESTR.F.S.2000 DIG.TN | | |
| 0056 | WPS40 | DISSIPAT.SCHEDA POT.S.2000 | | |
| 0057 | EN083 | CONTATTORE BF25 V.230 HZ.50/60 | | |
| 0058 | HAT60 | Barra omega | | |
| 0059 | HAT23 | STAFFA TERMOS. DI SICURA | | |
| 0060 | HE158 | SCHEDA POTENZA UNIFICATA | | |
| 0061 | HE170 | PANN.COM+DISPLAY+P.ALL+TARGA | | |



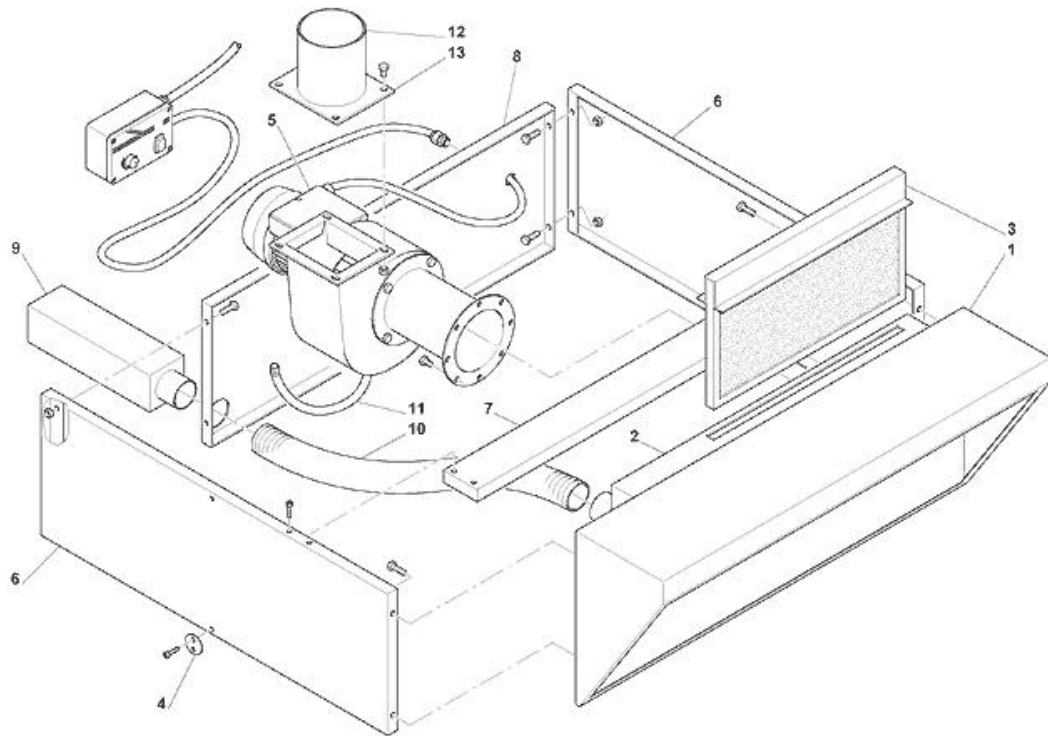
**TABELLA RESISTENZE - HEATER LIST - LISTE RESISTANCE
HEIZKÖRPER LISTE - LISTA RESISTENCIA**

| MOD. | CODICE CODE CODE CODE CODIGO | RESISTENZA HEATER RESISTANCE HEIZKÖRPER RESISTENCIA |
|-----------|--|---|
| S - R 66 | EE 102 / cielo | W. 720 VOLT. 400 |
| | EE 102 / platea | W. 720 VOLT. 400 |
| | EE 245 / cielo | W. 850 VOLT. 230 |
| | EE 245 / platea | W. 850 VOLT. 230 |
| S - R 69 | EE 149 / cielo | W. 1300 VOLT. 400 |
| | EE 110 / platea | W. 1100 VOLT. 400 |
| | EE 246 / cielo | W. 1300 VOLT. 230 |
| | EE 246 / platea | W. 1300 VOLT. 230 |
| S - R 77 | EE 227 / cielo | W. 1100 VOLT. 400 |
| | EE 186 / platea | W. 850 VOLT. 400 |
| | EE 250 / cielo | W. 1100 VOLT. 230 |
| | EE 250 / platea | W. 1100 VOLT. 230 |
| S - R 96 | EE 128 / cielo | W. 1300 VOLT. 400 |
| | EE 106 / platea | W. 1100 VOLT. 400 |
| | EE 247 / cielo | W. 1300 VOLT. 230 |
| | EE 247 / platea | W. 1300 VOLT. 230 |
| S - R 99 | EE 150 / cielo | W. 1900 VOLT. 400 |
| | EE 114 / platea | W. 1600 VOLT. 400 |
| | EE 248 / cielo | W. 2000 VOLT. 230 |
| | EE 248 / platea | W. 2000 VOLT. 230 |
| S - R 109 | EE 151 / cielo | W. 2100 VOLT. 400 |
| | EE 118 / platea | W. 1900 VOLT. 400 |
| | EE 249 / cielo | W. 2300 VOLT. 230 |
| | EE 249 / platea | W. 2300 VOLT. 230 |
| S - R 111 | EE 174 / cielo | W. 1150 VOLT. 400 |
| | EE 192 / platea | W. 900 VOLT. 400 |
| | EE 251 / cielo | W. 1150 VOLT. 230 |
| | EE 251 / platea | W. 1150 VOLT. 230 |

| MOD. | CODICE CODE CODE CODE CODIGO | RESISTENZA HEATER RESISTANCE HEIZKÖRPER RESISTENCIA |
|---------------|--|---|
| S - R 66 / E | EE 245 / cielo | W. 850 VOLT. 230 |
| | EE 245 / platea | W. 850 VOLT. 230 |
| S - R 69 / E | EE 246 / cielo | W. 1300 VOLT. 230 |
| | EE 246 / platea | W. 1300 VOLT. 230 |
| S - R 77 / E | EE 250 / cielo | W. 1100 VOLT. 230 |
| | EE 250 / platea | W. 1100 VOLT. 230 |
| S - R 96 / E | EE 247 / cielo | W. 1300 VOLT. 230 |
| | EE 247 / platea | W. 1300 VOLT. 230 |
| S - R 99 / E | EE 248 / cielo | W. 2000 VOLT. 230 |
| | EE 248 / platea | W. 2000 VOLT. 230 |
| S - R 109 / E | EE 249 / cielo | W. 2300 VOLT. 230 |
| | EE 249 / platea | W. 2300 VOLT. 230 |
| S - R 111 / E | EE 251 / cielo | W. 1150 VOLT. 230 |
| | EE 251 / platea | W. 1150 VOLT. 230 |

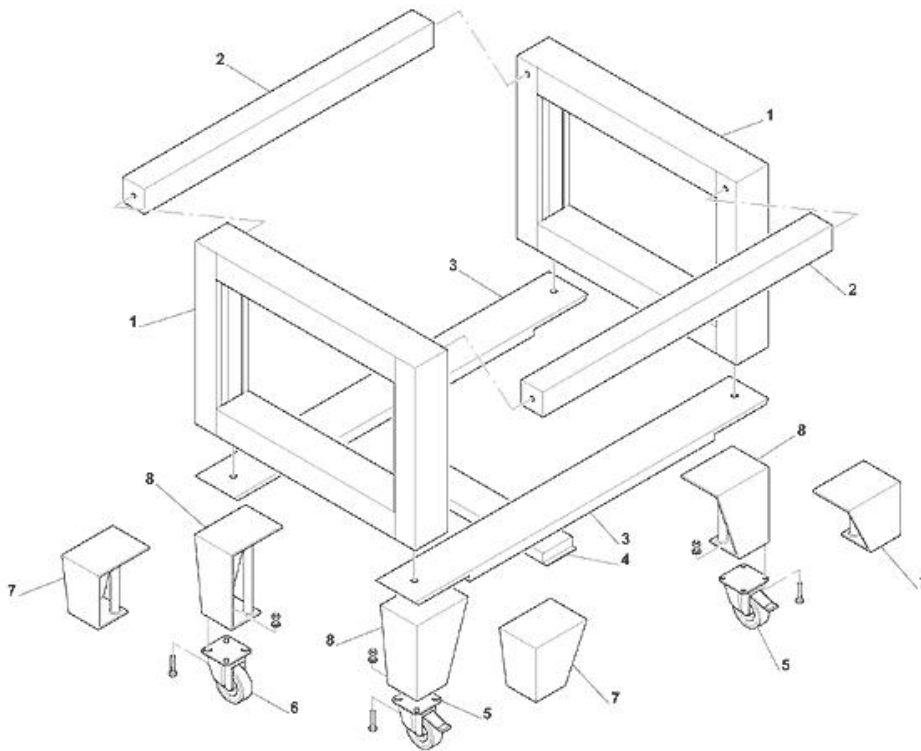


| Pos | Codice | Descrizione | notes | |
|-----|--------|--------------------------------|-------|--|
| 0 | EE102 | RESIS.W.720 V.400 22M/H+66 M. | | |
| 0 | EE106 | RESISTENZA W.1100 V.400 F.96M | | |
| 0 | EE110 | RESIST.W.1100 V.400 F.23-69M | | |
| 0 | EE114 | RESIS.W1600 V.400 F.33M-99M PL | | |
| 0 | EE118 | RES.CIELO W.1900 V.400 34+109M | | |
| 0 | EE128 | RESIST.W.1300 V.400 F.32H+96MC | | |
| 0 | EE149 | RESIS.CIELO W.1300 V.400 F.69M | | |
| 0 | EE150 | RESIST.W.1900 V.400 33H+99M-C. | | |
| 0 | EE151 | RESIST.W.2100 V.400 F34H+109M | | |
| 0 | EE174 | RESISTENZA W.1150 V.400 44-111 | | |
| 0 | EE186 | RESIST.PLATEA W.850 V.400 77M | | |
| 0 | EE192 | RES.PLATEA W.900 V.400 F.111 M | | |
| 0 | EE227 | RESIST.CIELO W1100 V.400 F.77M | | |
| 0 | EE245 | RESISTENZA W.850 V.230 F.66M+E | | |
| 0 | EE246 | RESISTENZA W.1300 V.230 F69M+E | | |
| 0 | EE247 | RESISTENZA W.1300 V.230 F96M+E | | |
| 0 | EE248 | RESISTENZA W.2000 V.230 F99M+E | | |
| 0 | EE249 | RESISTENZA W.2300 V.230 109M+E | | |
| 0 | EE250 | RESISTENZA W.1100 V.230 F77M+E | | |
| 0 | EE251 | RESISTENZA W.1150 V.230 111M+E | | |



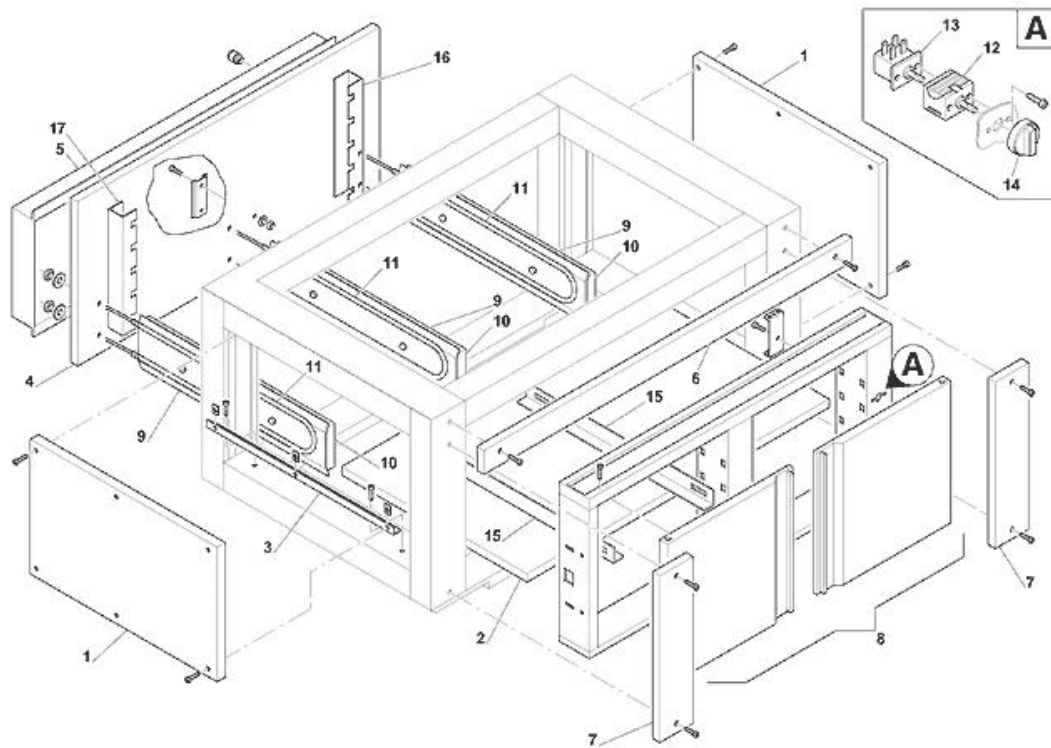


| Pos | Codice | Descrizione | notes | |
|------|--------|--------------------------------|-------|--|
| 0001 | ACW09 | C.FRONTALE CAPPÀ 66/69 | | |
| 0001 | ACW27 | C.FRONTALE CAPPÀ 96-99-109 TN | | |
| 0001 | ACW29 | C.FRONTALE CAPPÀ 111 TN | | |
| 0001 | ACW39 | C.FRONTALE CAPPÀ 77 | | |
| 0002 | ABQ15 | Collettore cappa | | |
| 0003 | ACW25 | COMPL.FILTRO PJ 14/8+96+99+109 | | |
| 0004 | ACW74 | DISCHETTO FISSAGGIO | | |
| 0005 | ES288 | ASP.VMN 402 OR C.INOX+M.0,25KW | | |
| 0006 | ACW90 | P.LAT.DX-SX96-99-109-111-66-69 | | |
| 0007 | ACW16 | TRAVERSINO CAPPÀ 111 | | |
| 0007 | ACW17 | TRAVERSINO CAPPÀ 66/69 | | |
| 0007 | ACW38 | TRAVERSINO CAPPÀ 77 | | |
| 0007 | ACW73 | TRAVERSINO CAPPÀ 96/99/109 | | |
| 0008 | ACW23 | PANN.PST.CAPPÀ 66/69 | | |
| 0008 | ACW35 | PANN.PST.CAPPÀ 77 | | |
| 0008 | ACW87 | PANNELLO PST CAPPÀ 96-99-109 | | |
| 0009 | AC190 | C.RACCORDO CAMINO 109/111 T.N. | | |
| 0009 | AC960 | C.RACCORDO CAMINO 96/66/77 TN | | |
| 0009 | AC990 | C.RACCORDO CAMINO 99/69 T.N. | | |
| 0009 | ACW11 | PANN.PST.CAPPÀ 111 | | |
| 0010 | HAT90 | TUBO FLESS.CAMINO D.80 X SCAR. | | |
| 0011 | DI071 | TUBO ANTIGELO RUBELLO D.16X22 | | |
| 0012 | QAC08 | ROSONE CAPPE S.2000 | | |
| 0013 | ACW42 | PIASTRA FISS.ROSONE CAPPE M.AC | | |





| Pos | Codice | Descrizione | notes | |
|------|--------|------------------------------|-------|--|
| 0001 | BWT95 | C.TELAIO SUPP.111-109 V.N.TN | | |
| 0001 | BWT96 | TELAIO SUPP. 66/77/96 | | |
| 0001 | BWT99 | TELAIO SUPP. 69/99 | | |
| 0002 | BWL25 | TRAV.A 2 FORI 77 | | |
| 0002 | BWL66 | TRAV.A 2 FORI 96-99-109 V.N. | | |
| 0002 | BWL76 | TRAV.A 2 FORI 66/69 | | |
| 0002 | BWL82 | TRAV.A 2 FORI 111 | | |
| 0003 | BWL30 | TRAV.INF/ANT/PST 77 | | |
| 0003 | BWL58 | TRAV.INF/ANT/PST 66/69 | | |
| 0003 | BWL80 | TRAV.INF/ANT/PST 96/99/109 | | |
| 0003 | BWL85 | TRAV.INF/ANT/PST 111 | | |
| 0004 | BWL46 | DIV.TIRANTI 66/77/96 | | |
| 0004 | BWL47 | DIV.TIRANTI 109/111 | | |
| 0004 | BWL62 | DIV.TIRANTI 69/99 | | |
| 0005 | AC080 | RUOTA D. 125 + FRENO | | |
| 0006 | AC068 | RUOTA D. 125 + S/FRENO | | |
| 0007 | BWT67 | ALZATINA X BICAMERA | | |
| 0008 | BWT70 | ALZATINA X MONOCAMERA | | |





| Pos | Codice | Descrizione | notes | |
|------|--------|--------------------------------|-------|--|
| 0001 | BWP51 | FIANCO CELLA 66/77/96 | | |
| 0001 | BWP53 | FIANCO CELLA MOD.99-69(NERO) | | |
| 0001 | BWP55 | FIANCO CELLA MOD.109-111 NERO | | |
| 0002 | BWP93 | FONDO CELLA 66 | | |
| 0002 | BWP94 | FONDO CELLA 69 | | |
| 0002 | BWP95 | FONDO CELLA 96 | | |
| 0002 | BWP96 | FONDO CELLA 99 T.N. | | |
| 0002 | BWP97 | FONDO CELLA 109 | | |
| 0002 | BWP98 | FONDO CELLA 111 | | |
| 0002 | BWP99 | FONDO CELLA 77 | | |
| 0003 | BWP01 | ANG.INF.re FISS FIANCHI 69/99 | | |
| 0003 | BWP11 | ANG.FISS.FIANCHI 66/77/96 | | |
| 0003 | BWP31 | ANG.FISS.FIANCHI 109/111 | | |
| 0004 | BWP37 | SCHIENALE CELLA 77 | | |
| 0004 | BWP77 | SCHIENALE CELLA 66/69 | | |
| 0004 | BWP91 | SCHIENALE CELLA 96-99-109 | | |
| 0004 | BWP92 | SCHIENALE CELLA 111 | | |
| 0005 | BWL26 | PROTEZ. RESIST. POST. 77 | | |
| 0005 | BWL37 | PROTEZ. RESIST. POST. 111 | | |
| 0005 | BWL61 | PROT. RESIST. POST. 69/99/109 | | |
| 0005 | BWL78 | PROTEZ. RESIST. POST. 66/69 | | |
| 0006 | BWL24 | TRAVERSA COPERTURA 77 | | |
| 0006 | BWL63 | TRAVERSINO COPERT.1 96-99-109 | | |
| 0006 | BWL77 | TRAVERSA COPERTURA 66/69 | | |
| 0006 | BWL81 | TRAVERSA COPERTURA 111 | | |
| 0007 | BWL64 | TRAV.COPERT.LAT.S.2000 TN | | |
| 0008 | BWS78 | COMPL. FRONTALE CLB 77 | | |
| 0008 | BWS79 | COMPL. FRONTALE CLB 66/69 | | |
| 0008 | BWS80 | COMPL.FRONTALE CLB/96/99/109 | | |
| 0008 | BWS81 | COMPL. FROBTALE CLB 111 | | |
| 0009 | BQP26 | PROTEZ.RESIST.CELLA 66/77/69 | | |
| 0009 | BQP28 | PROTEZ.RESIST.CELLA 109/111 | | |
| 0009 | BQP30 | PROTEZ.RESIST.CELLA 69/99 | | |
| 0010 | BQP27 | COP. PROTEZ.RESIST. 66/77/96 | | |
| 0010 | BQP29 | COP. PROTEZ.RESIST. 109/111 | | |
| 0010 | BQP31 | COP. PROTEZ.RESIST. 69/99 | | |
| 0011 | EE221 | RESIS.W.500 V230 CELLA 109/111 | | |
| 0011 | EE222 | RESIST.W.400 V.230 69/99 | | |
| 0011 | EE223 | RESISTENZA | | |
| 0012 | EH030 | COMMUTATORE BIP.CELLE | | |
| 0013 | ED001 | TERMOST.REG.30/90° CAP.MT.1,5 | | |
| 0014 | AC062 | MANOPOLA COMMUTAT.EH009+EH030 | | |
| 0015 | BQP01 | GUIDA CELLA C.66-96+77 TN+ZEN. | | |
| 0015 | BWP72 | GUIDA TEGLIE CELLA 69-99 T.N | | |
| 0015 | BWP73 | GUIDA TEGLIE CELLA 109/111 | | |



| Pos | Codice | Descrizione | notes | |
|------|--------|--------------------------------|-------|--|
| 0016 | BWL17 | APPOGGIO GUIDA TEGLIE DX | | |
| 0017 | BWL03 | KIT TRASF.SU254 in CLB/96/3/N. | | |