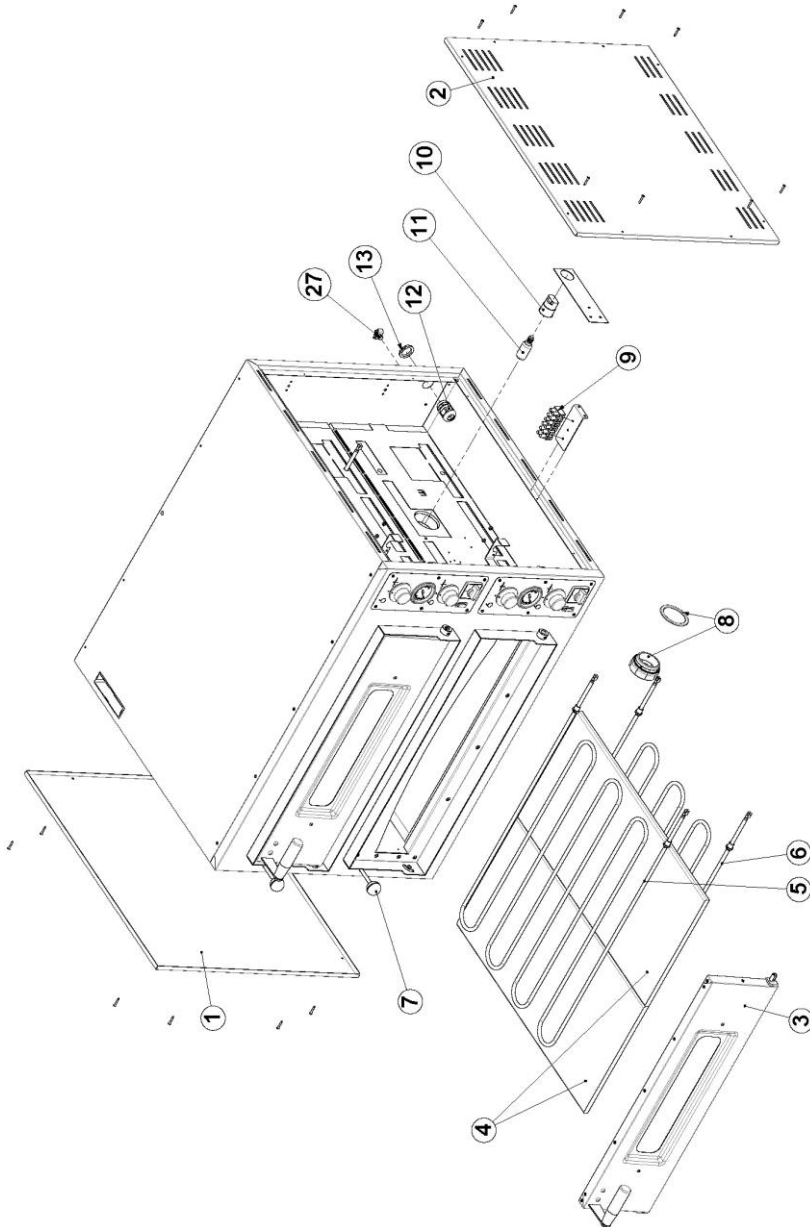


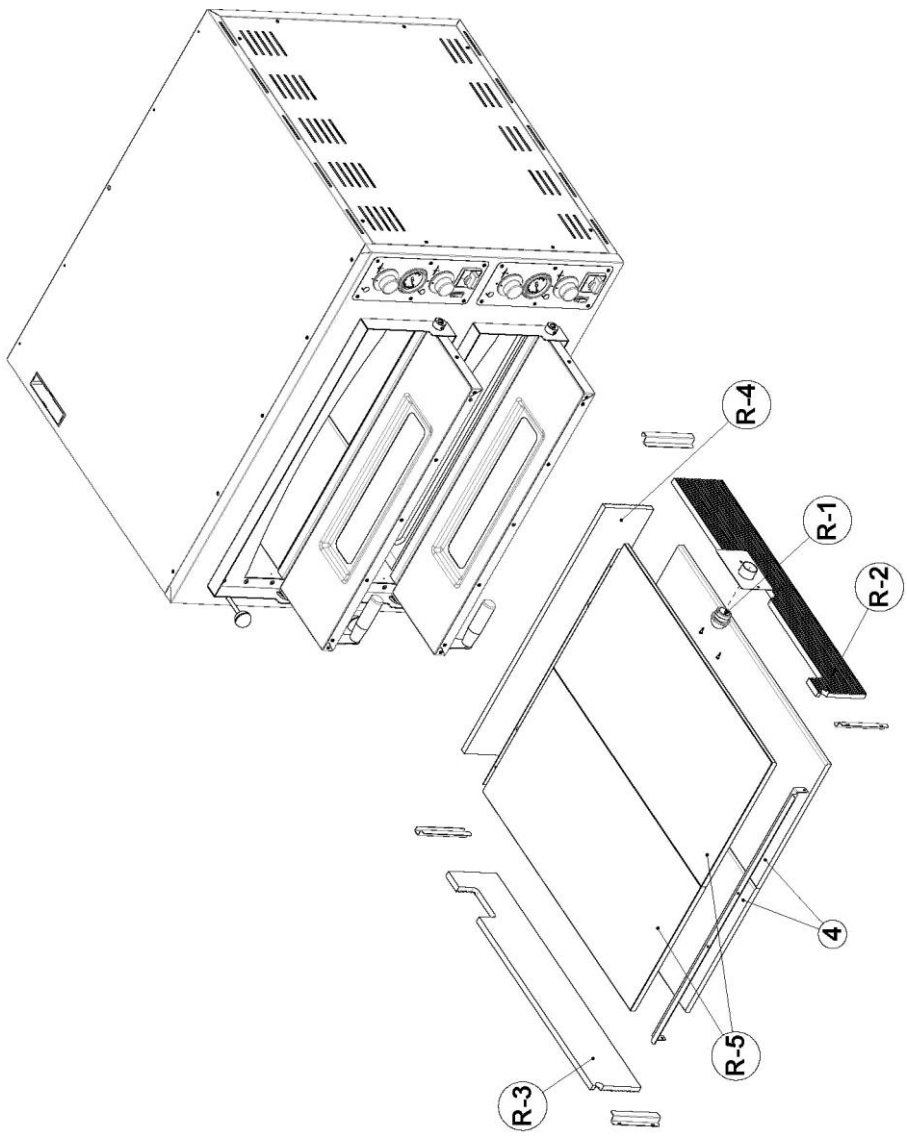
PizzaGroup

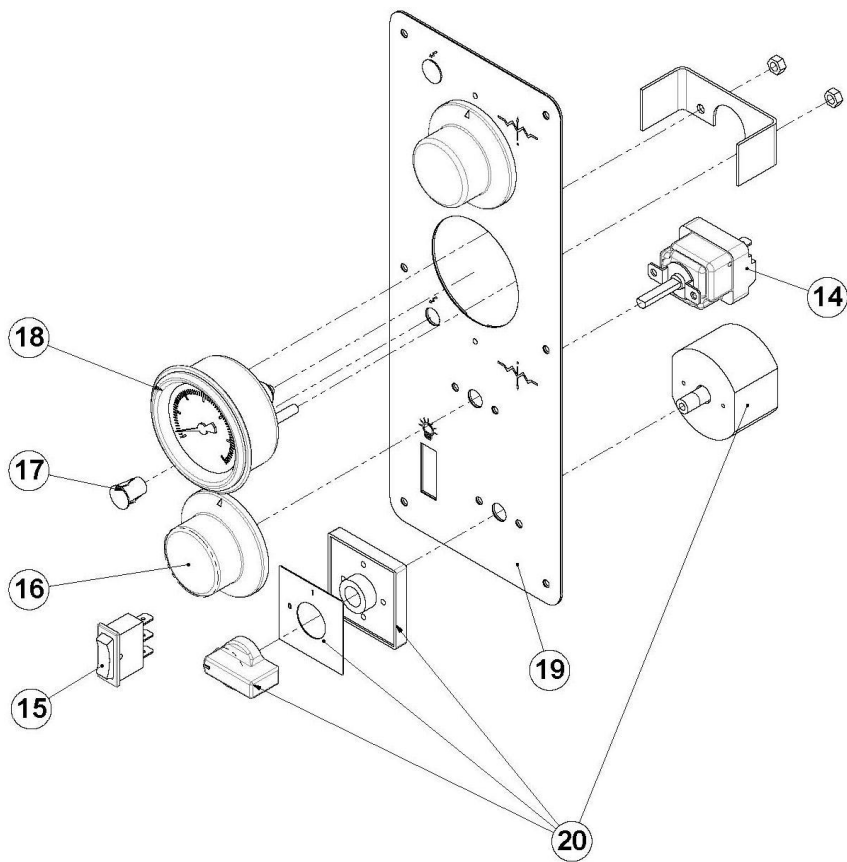


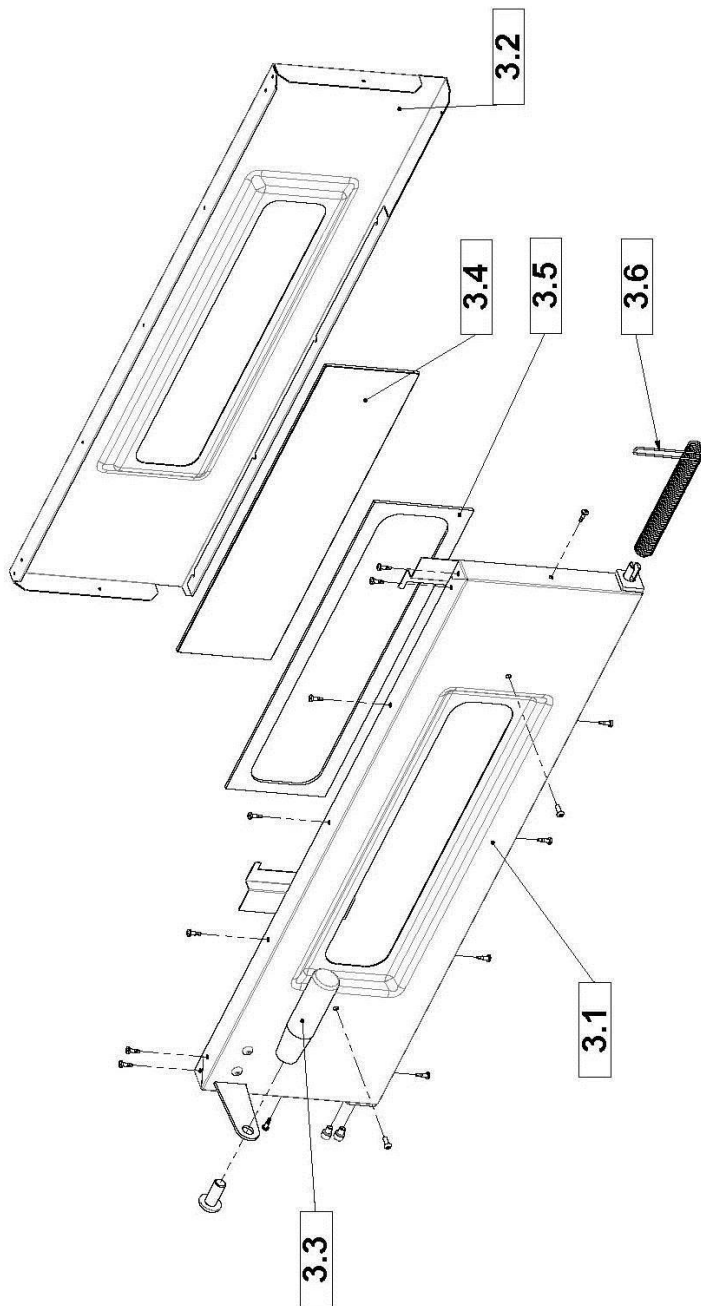
**EXPLODED VIEW
ENTRY MAX**

EXPLODED VIEW AND SPARE PARTS LIST

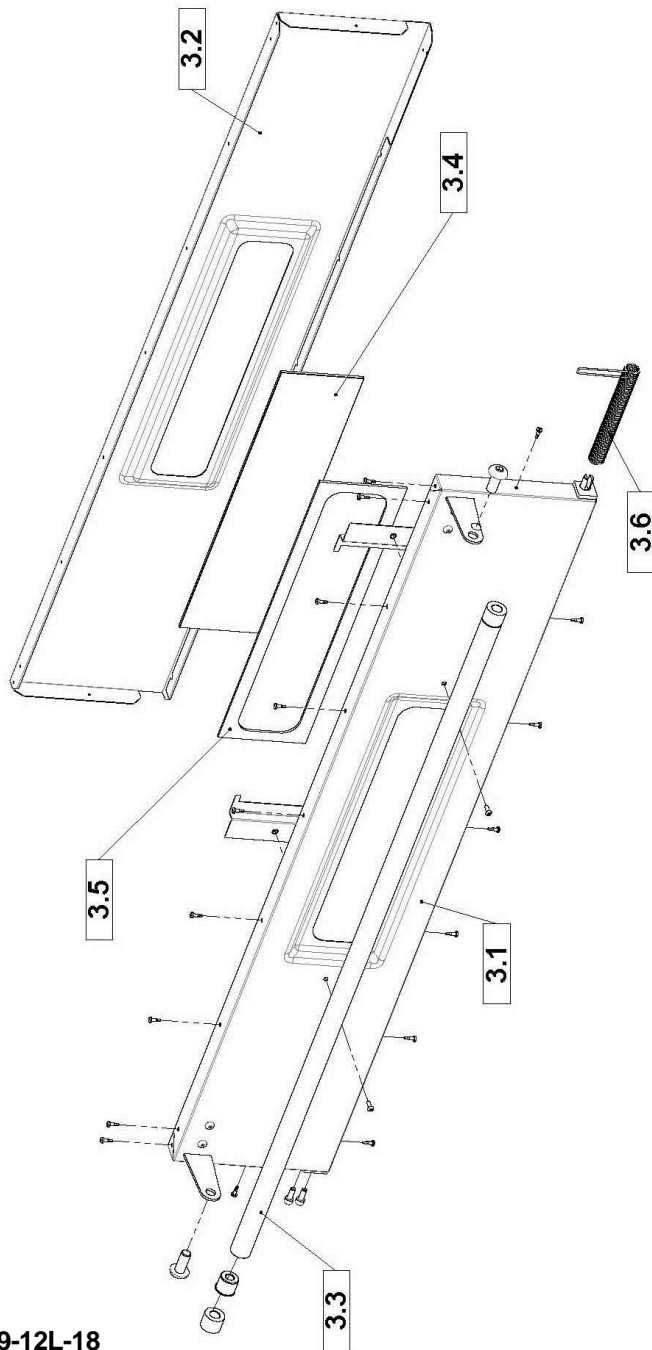








ENTRY MAX 4-6-8-12



ENTRY MAX 6L-9-12L-18

Entry 4 MAX code P07EN10017

| Pos. | Code | Description |
|-------------|-------------|--|
| 1 | S40FN55007 | Entry LH side panel 4-6L MAX |
| 2 | S40FN55005 | Entry RH side panel 4-6L MAX |
| 3 | S35FN55036 | Entry complete door 4-6-8-12 MAX |
| 3.1 | S66PT55016 | Entry door assembly 4-6-8-12 MAX |
| 3.2 | S34FN55016 | Counterdoor assembly 4-6-8-12 MAX |
| 3.3 | A90MI65003 | Elesa handle I 280/115 M12 |
| 3.4 | A00PT55003 | Entry glass ceramic plate |
| 3.5 | A94GU65002 | Joint Entry |
| 3.6 | A86ME30004 | Entry oven door spring 6L-9-12L-18 |
| 4 | A95OO65008 | Hollow tile 350x700x14 |
| 5 | A87RZ65005 | Resistor 2800 W 230 V Prime 4-8 |
| 6 | A87RZ65005 | Resistor 2800 W 230 V Prime 4-8 |
| 7 | A90MP65001 | Spheric knob PLX.30-M8-C9 |
| 8 | A87IL74003 | Round lamp glass BJB 77.360.002.00 with metal ring BJB 77.906.136.10 |
| 9 | A87CX62006 | Mammut assembly |
| 10 | A87IL73006 | Lamp holder Vossloh Schwabe E14 Type |
| 11 | A87IL72010 | Incandescent lamp 40W 230V E14 |
| 12 | A86EL46004 | Cable gland OBO 106 PG 21 |
| 13 | A86EL47003 | Nut for cable gland OBO 106 PG 11 |
| 14 | A88TX77005 | Single-pole thermostat Tmax=450° |
| 15 | A87AZ69006 | Red single-pole switch |
| 16 | S73FN55009 | Thermostat knob AP10 scale 0-10 |
| 17 | A87IL72005 | Warning light lamp 380 V |
| 18 | A88TC83001 | Analogue thermometer 0-500°C |
| 19 | A93OL65049 | Entry control label MAX PizzaGroup |
| 20 | A87AZ69004 | Four-pole switch 16A |
| 22 | A93AD00011 | Resin coated label "PizzaGroup" |
| 27 | A86EL48001 | Equipotential connection |

| OPTIONAL-Tutto refrattario | | |
|-----------------------------------|------------|-------------------------------------|
| R-1 | A87IL74006 | Dome-form lamp glass |
| R-2 | S41CM61007 | Hollow tile RH Entry MAX 4-6L-8-12L |
| R-3 | S41CM61008 | Hollow tile LH Entry MAX 4-6L-8-12L |
| R-4 | S41CM61003 | Back Hollow tile Prime 8 |
| R-5 | A95OO65008 | Hollow tile 350x700x14 |

Entry 8 MAX code P07EN10021

| Pos. | Code | Description |
|-------------|-------------|--|
| 1 | S40FN55003 | Entry LH side panel 8-12L MAX |
| 2 | S40FN55001 | Entry RH side panel 8-12L MAX |
| 3 | S35FN55036 | Entry complete door 4-6-8-12 MAX |
| 3.1 | S66PT55016 | Entry door assembly 4-6-8-12 MAX |
| 3.2 | S34FN55016 | Counterdoor assembly 4-6-8-12 MAX |
| 3.3 | A90MI65003 | Elesa handle I 280/115 M12 |
| 3.4 | A00PT55003 | Entry glass ceramic plate |
| 3.5 | A94GU65002 | Joint Entry |
| 3.6 | A86ME30004 | Entry oven door spring 6L-9-12L-18 |
| 4 | A95OO65008 | Hollow tile 350x700x14 |
| 5 | A87RZ65005 | Resistor 2800 W 230 V Prime 4-8 |
| 6 | A87RZ65005 | Resistor 2800 W 230 V Prime 4-8 |
| 7 | A90MP65001 | Spheric knob PLX.30-M8-C9 |
| 8 | A87IL74003 | Round lamp glass BJB 77.360.002.00 with metal ring BJB 77.906.136.10 |
| 9 | A87CX62006 | Mammut assembly |
| 10 | A87IL73006 | Lamp holder Vossloh Schwabe E14 Type |
| 11 | A87IL72010 | Incandescent lamp 40W 230V E14 |
| 12 | A86EL46004 | Cable gland OBO 106 PG 21 |
| 13 | A86EL47003 | Nut for cable gland OBO 106 PG 11 |
| 14 | A88TX77005 | Single-pole thermostat Tmax=450° |
| 15 | A87AZ69006 | Red single-pole switch |
| 16 | S73FN55009 | Thermostat knob AP10 scale 0-10 |
| 17 | A87IL72005 | Warning light lamp 380 V |
| 18 | A88TC83001 | Analogue thermometer 0-500°C |
| 19 | A93OL65049 | Entry control label MAX PizzaGroup |
| 20 | A87AZ69004 | Four-pole switch 16A |
| 22 | A93AD00011 | Resin coated label "PizzaGroup" |
| 27 | A86EL48001 | Equipotential connection |

| OPTIONAL-Tutto refrattario | | |
|-----------------------------------|------------|-------------------------------------|
| R-1 | A87IL74006 | Dome-form lamp glass |
| R-2 | S41CM61007 | Hollow tile RH Entry MAX 4-6L-8-12L |
| R-3 | S41CM61008 | Hollow tile LH Entry MAX 4-6L-8-12L |
| R-4 | S41CM61003 | Back Hollow tile Prime 8 |
| R-5 | A95OO65008 | Hollow tile 350x700x14 |

Entry 6 MAX code P07EN10018

| Pos. | Code | Description |
|-------------|-------------|--|
| 1 | S40FN55021 | Entry LH side panel 6-9 MAX |
| 2 | S40FN55023 | Entry RH side panel 6-9 MAX |
| 3 | S35FN55036 | Entry complete door 4-6-8-12 MAX |
| 3.1 | S66PT55016 | Entry door assembly 4-6-8-12 MAX |
| 3.2 | S34FN55016 | Counterdoor assembly 4-6-8-12 MAX |
| 3.3 | A90MI65003 | Elesa handle I 280/115 M12 |
| 3.4 | A00PT55003 | Entry glass ceramic plate |
| 3.5 | A94GU65002 | Joint Entry |
| 3.6 | A86ME30004 | Entry oven door spring 6L-9-12L-18 |
| 4 | A95OO65009 | Hollow tile 350x1050x14 |
| 5 | A87RZ65011 | Resistor 850 W 230 V |
| 6 | A87RZ65006 | Resistor 700 W 230 V |
| 7 | A90MP65001 | Spheric knob PLX.30-M8-C9 |
| 8 | A87IL74003 | Round lamp glass BJB 77.360.002.00 with metal ring BJB 77.906.136.10 |
| 9 | A87CX62006 | Mammut assembly |
| 10 | A87IL73006 | Lamp holder Vossloh Schwabe E14 Type |
| 11 | A87IL72010 | Incandescent lamp 40W 230V E14 |
| 12 | A86EL46004 | Cable gland OBO 106 PG 21 |
| 13 | A86EL47003 | Nut for cable gland OBO 106 PG 11 |
| 14 | A88TX85003 | Three-phase thermostat Tmax=450° |
| 15 | A87AZ69006 | Red single-pole switch |
| 16 | S73FN55009 | Thermostat knob AP10 scale 0-10 |
| 17 | A87IL72005 | Warning light lamp 380 V |
| 18 | A88TC83001 | Analogue thermometer 0-500°C |
| 19 | A93OL65049 | Entry control label MAX PizzaGroup |
| 20 | A87AZ69004 | Four-pole switch 16A |
| 22 | A93AD00011 | Resin coated label "PizzaGroup" |
| 27 | A86EL48001 | Equipotential connection |

| OPTIONAL-Tutto refrattario | | |
|-----------------------------------|------------|------------------------------------|
| R-1 | A87IL74006 | Dome-form lamp glass |
| R-2 | S41CM61010 | Hollow tile RH Entry MAX 6-9-12-18 |
| R-3 | S41CM61009 | Hollow tile LH Entry MAX 6-9-12-18 |
| R-4 | S41CM61003 | Back Hollow tile Prime 8 |
| R-5 | A95OO65009 | Hollow tile 350x1050x14 |

Entry12 MAX code P07EN10022

| Pos. | Code | Description |
|-------------|-------------|--|
| 1 | S40FN55019 | Entry LH side panel 12-18 MAX |
| 2 | S40FN55017 | Entry RH side panel 12-18 MAX |
| 3 | S35FN55036 | Entry complete door 4-6-8-12 MAX |
| 3.1 | S66PT55016 | Entry door assembly 4-6-8-12 MAX |
| 3.2 | S34FN55016 | Counterdoor assembly 4-6-8-12 MAX |
| 3.3 | A90MI65003 | Elesa handle I 280/115 M12 |
| 3.4 | A00PT55003 | Entry glass ceramic plate |
| 3.5 | A94GU65002 | Joint Entry |
| 3.6 | A86ME30004 | Entry oven door spring 6L-9-12L-18 |
| 4 | A95OO65009 | Hollow tile 350x1050x14 |
| 5 | A87RZ65011 | Resistor 850 W 230 V |
| 6 | A87RZ65006 | Resistor 700 W 230 V |
| 7 | A90MP65001 | Spheric knob PLX.30-M8-C9 |
| 8 | A87IL74003 | Round lamp glass BJB 77.360.002.00 with metal ring BJB 77.906.136.10 |
| 9 | A87CX62006 | Mammut assembly |
| 10 | A87IL73006 | Lamp holder Vossloh Schwabe E14 Type |
| 11 | A87IL72010 | Incandescent lamp 40W 230V E14 |
| 12 | A86EL46004 | Cable gland OBO 106 PG 21 |
| 13 | A86EL47003 | Nut for cable gland OBO 106 PG 11 |
| 14 | A88TX85003 | Three-phase thermostat Tmax=450° |
| 15 | A87AZ69006 | Red single-pole switch |
| 16 | S73FN55009 | Thermostat knob AP10 scale 0-10 |
| 17 | A87IL72005 | Warning light lamp 380 V |
| 18 | A88TC83001 | Analogue thermometer 0-500°C |
| 19 | A93OL65049 | Entry control label MAX PizzaGroup |
| 20 | A87AZ69004 | Four-pole switch 16A |
| 22 | A93AD00011 | Resin coated label "PizzaGroup" |
| 27 | A86EL48001 | Equipotential connection |

| OPTIONAL-Tutto refrattario | | |
|-----------------------------------|------------|------------------------------------|
| R-1 | A87IL74006 | Dome-form lamp glass |
| R-2 | S41CM61010 | Hollow tile RH Entry MAX 6-9-12-18 |
| R-3 | S41CM61009 | Hollow tile LH Entry MAX 6-9-12-18 |
| R-4 | S41CM61003 | Back Hollow tile Prime 8 |
| R-5 | A95OO65009 | Hollow tile 350x1050x14 |

Entry6L MAX code P07EN10019

| Pos. | Code | Description |
|-------------|-------------|--|
| 1 | S40FN55007 | Entry LH side panel 4-6L MAX |
| 2 | S40FN55005 | Entry RH side panel 4-6L MAX |
| 3 | S35FN55039 | Entry complete door 6L-9-12L-18 MAX |
| 3.1 | S66PT55017 | Entry door assembly 6L-9-12L-18 MAX |
| 3.2 | S34FN55018 | Counterdoor assembly 6L-9-12L-18 MAX |
| 3.3 | S66MG55003 | Handle assembly 6L-9-12L-18 Entry MAX |
| 3.4 | A00PT55003 | Entry glass ceramic plate |
| 3.5 | A94GU65002 | Joint Entry |
| 3.6 | A86ME30004 | Entry oven door spring 6L-9-12L-18 |
| 4 | A95OO65008 | Hollow tile 350x700x14 |
| 5 | A87RZ65010 | Resistor 900 W 230 V |
| 6 | A87RZ65007 | Resistor 750 W 230 V |
| 7 | A90MP65001 | Spheric knob PLX.30-M8-C9 |
| 8 | A87IL74003 | Round lamp glass BJB 77.360.002.00 with metal ring BJB 77.906.136.10 |
| 9 | A87CX62006 | Mammut assembly |
| 10 | A87IL73006 | Lamp holder Vossloh Schwabe E14 Type |
| 11 | A87IL72010 | Incandescent lamp 40W 230V E14 |
| 12 | A86EL46004 | Cable gland OBO 106 PG 21 |
| 13 | A86EL47003 | Nut for cable gland OBO 106 PG 11 |
| 14 | A88TX85003 | Three-phase thermostat Tmax=450° |
| 15 | A87AZ69006 | Red single-pole switch |
| 16 | S73FN55009 | Thermostat knob AP10 scale 0-10 |
| 17 | A87IL72005 | Warning light lamp 380 V |
| 18 | A88TC83001 | Analogue thermometer 0-500°C |
| 19 | A93OL65049 | Entry control label MAX PizzaGroup |
| 20 | A87AZ69004 | Four-pole switch 16A |
| 22 | A93AD00011 | Resin coated label "PizzaGroup" |
| 27 | A86EL48001 | Equipotential connection |

| OPTIONAL-Tutto refrattario | | |
|-----------------------------------|------------|-------------------------------------|
| R-1 | A87IL74006 | Dome-form lamp glass |
| R-2 | S41CM61007 | Hollow tile RH Entry MAX 4-6L-8-12L |
| R-3 | S41CM61008 | Hollow tile LH Entry MAX 4-6L-8-12L |
| R-4 | S41CM61006 | Back Hollow tile Prime 6L-9 |
| R-5 | A95OO65008 | Hollow tile 350x700x14 |

Entry12LMAX codeP07EN10023

| Pos. | Code | Description |
|-------------|-------------|--|
| 1 | S40FN55003 | Entry LH side panel 8-12L MAX |
| 2 | S40FN55001 | Entry RH side panel 8-12L MAX |
| 3 | S35FN55039 | Entry complete door 6L-9-12L-18 MAX |
| 3.1 | S66PT55017 | Entry door assembly 6L-9-12L-18 MAX |
| 3.2 | S34FN55018 | Counterdoor assembly 6L-9-12L-18 MAX |
| 3.3 | S66MG55003 | Handle assembly 6L-9-12L-18 Entry MAX |
| 3.4 | A00PT55003 | Entry glass ceramic plate |
| 3.5 | A94GU65002 | Joint Entry |
| 3.6 | A86ME30004 | Entry oven door spring 6L-9-12L-18 |
| 4 | A95OO65008 | Hollow tile 350x700x14 |
| 5 | A87RZ65010 | Resistor 900 W 230 V |
| 6 | A87RZ65007 | Resistor 750 W 230 V |
| 7 | A90MP65001 | Spheric knob PLX.30-M8-C9 |
| 8 | A87IL74003 | Round lamp glass BJB 77.360.002.00 with metal ring BJB 77.906.136.10 |
| 9 | A87CX62006 | Mammut assembly |
| 10 | A87IL73006 | Lamp holder Vossloh Schwabe E14 Type |
| 11 | A87IL72010 | Incandescent lamp 40W 230V E14 |
| 12 | A86EL46004 | Cable gland OBO 106 PG 21 |
| 13 | A86EL47003 | Nut for cable gland OBO 106 PG 11 |
| 14 | A88TX85003 | Three-phase thermostat Tmax=450° |
| 15 | A87AZ69006 | Red single-pole switch |
| 16 | S73FN55009 | Thermostat knob AP10 scale 0-10 |
| 17 | A87IL72005 | Warning light lamp 380 V |
| 18 | A88TC83001 | Analogue thermometer 0-500°C |
| 19 | A93OL65049 | Entry control label MAX PizzaGroup |
| 20 | A87AZ69004 | Four-pole switch 16A |
| 22 | A93AD00011 | Resin coated label "PizzaGroup" |
| 27 | A86EL48001 | Equipotential connection |

| OPTIONAL-Tutto refrattario | | |
|-----------------------------------|------------|-------------------------------------|
| R-1 | A87IL74006 | Dome-form lamp glass |
| R-2 | S41CM61007 | Hollow tile RH Entry MAX 4-6L-8-12L |
| R-3 | S41CM61008 | Hollow tile LH Entry MAX 4-6L-8-12L |
| R-4 | S41CM61006 | Back Hollow tile Prime 6L-9 |
| R-5 | A95OO65008 | Hollow tile 350x700x14 |

Entry 9 MAX code P07EN10018

| Pos. | Code | Description |
|-------------|-------------|--|
| 1 | S40FN55021 | Entry LH side panel 6-9 MAX |
| 2 | S40FN55023 | Entry RH side panel 6-9 MAX |
| 3 | S35FN55039 | Entry complete door 6L-9-12L-18 MAX |
| 3.1 | S66PT55017 | Entry door assembly 6L-9-12L-18 MAX |
| 3.2 | S34FN55018 | Counterdoor assembly 6L-9-12L-18 MAX |
| 3.3 | S66MG55003 | Handle assembly 6L-9-12L-18 Entry MAX |
| 3.4 | A00PT55003 | Entry glass ceramic plate |
| 3.5 | A94GU65002 | Joint Entry |
| 3.6 | A86ME30004 | Entry oven door spring 6L-9-12L-18 |
| 4 | A95OO65009 | Hollow tile 350x1050x14 |
| 5 | A87RZ65008 | Resistor 1250 W 230 V |
| 6 | A87RZ65010 | Resistor 900 W 230 V |
| 7 | A90MP65001 | Spheric knob PLX.30-M8-C9 |
| 8 | A87IL74003 | Round lamp glass BJB 77.360.002.00 with metal ring BJB 77.906.136.10 |
| 9 | A87CX62006 | Mammut assembly |
| 10 | A87IL73006 | Lamp holder Vossloh Schwabe E14 Type |
| 11 | A87IL72010 | Incandescent lamp 40W 230V E14 |
| 12 | A86EL46004 | Cable gland OBO 106 PG 21 |
| 13 | A86EL47003 | Nut for cable gland OBO 106 PG 11 |
| 14 | A88TX85003 | Three-phase thermostat Tmax=450° |
| 15 | A87AZ69006 | Red single-pole switch |
| 16 | S73FN55009 | Thermostat knob AP10 scale 0-10 |
| 17 | A87IL72005 | Warning light lamp 380 V |
| 18 | A88TC83001 | Analogue thermometer 0-500°C |
| 19 | A93OL65049 | Entry control label MAX PizzaGroup |
| 20 | A87AZ69004 | Four-pole switch 16A |
| 22 | A93AD00011 | Resin coated label "PizzaGroup" |
| 27 | A86EL48001 | Equipotential connection |

| OPTIONAL-Tutto refrattario | | |
|-----------------------------------|------------|------------------------------------|
| R-1 | A87IL74006 | Dome-form lamp glass |
| R-2 | S41CM61010 | Hollow tile RHEntry MAX 6-9-12-18 |
| R-3 | S41CM61009 | Hollow tile LH Entry MAX 6-9-12-18 |
| R-4 | S41CM61006 | Back Hollow tile Prime 6L-9 |
| R-5 | A95OO65009 | Hollow tile 350x1050x14 |

Entry18 MAX code P07EN10018

| Pos. | Code | Description |
|-------------|-------------|--|
| 1 | S40FN55019 | Entry LH side panel 12-18 MAX |
| 2 | S40FN55017 | Entry RH side panel 12-18 MAX |
| 3 | S35FN55039 | Entry complete door 6L-9-12L-18 MAX |
| 3.1 | S66PT55017 | Entry door assembly 6L-9-12L-18 MAX |
| 3.2 | S34FN55018 | Counterdoor assembly 6L-9-12L-18 MAX |
| 3.3 | S66MG55003 | Handle assembly 6L-9-12L-18 Entry MAX |
| 3.4 | A00PT55003 | Entry glass ceramic plate |
| 3.5 | A94GU65002 | Joint Entry |
| 3.6 | A86ME30004 | Entry oven door spring 6L-9-12L-18 |
| 4 | A95OO65009 | Hollow tile 350x1050x14 |
| 5 | A87RZ65008 | Resistor 1250 W 230 V |
| 6 | A87RZ65010 | Resistor 900 W 230 V |
| 7 | A90MP65001 | Spheric knob PLX.30-M8-C9 |
| 8 | A87IL74003 | Round lamp glass BJB 77.360.002.00 with metal ring BJB 77.906.136.10 |
| 9 | A87CX62006 | Mammut assembly |
| 10 | A87IL73006 | Lamp holder Vossloh Schwabe E14 Type |
| 11 | A87IL72010 | Incandescent lamp 40W 230V E14 |
| 12 | A86EL46004 | Cable gland OBO 106 PG 21 |
| 13 | A86EL47003 | Nut for cable gland OBO 106 PG 11 |
| 14 | A88TX85003 | Three-phase thermostat Tmax=450° |
| 15 | A87AZ69006 | Red single-pole switch |
| 16 | S73FN55009 | Thermostat knob AP10 scale 0-10 |
| 17 | A87IL72005 | Warning light lamp 380 V |
| 18 | A88TC83001 | Analogue thermometer 0-500°C |
| 19 | A93OL65049 | Entry control label MAX PizzaGroup |
| 20 | A87AZ69004 | Four-pole switch 16A |
| 22 | A93AD00011 | Resin coated label "PizzaGroup" |
| 27 | A86EL48001 | Equipotential connection |

| OPTIONAL-Tutto refrattario | | |
|-----------------------------------|------------|------------------------------------|
| R-1 | A87IL74006 | Dome-form lamp glass |
| R-2 | S41CM61010 | Hollow tile RH Entry MAX 6-9-12-18 |
| R-3 | S41CM61009 | Hollow tile LH Entry MAX 6-9-12-18 |
| R-4 | S41CM61006 | Back Hollow tile Prime 6L-9 |
| R-5 | A95OO65009 | Hollow tile 350x1050x14 |

TECHNICAL DATA

| Model | Weight (Kg) | Weight with brick (Kg) | Width (mm) | Depth (mm) | Height (mm) | Power consumption (W) | Supply Voltage (V) | Frequency (Hz) | Maximal Temperature Set (°C) | Width (mm) |
|---------|-------------|------------------------|------------|------------|-------------|-----------------------|--------------------|----------------|------------------------------|------------|
| MAX 4 | 74 | 96 | 990 | 920 | 380 | 5.600 | 3 F + N + T | 400 | 50/60 | 450° |
| MAX 6 | 97 | 128 | 990 | 1270 | 380 | 9.300 | 3 F + N + T | 400 | 50/60 | 450° |
| MAX 6L | 97 | 127 | 1340 | 920 | 380 | 9.900 | 3 F + N + T | 400 | 50/60 | 450° |
| MAX 9 | 130 | 173 | 1340 | 1270 | 380 | 12.900 | 3 F + N + T | 400 | 50/60 | 450° |
| MAX 8 | 149 | 193 | 990 | 920 | 680 | 11.200 | 3 F + N + T | 400 | 50/60 | 450° |
| MAX 12 | 175 | 237 | 990 | 1270 | 680 | 18.600 | 3 F + N + T | 400 | 50/60 | 450° |
| MAX 12L | 177 | 237 | 1340 | 920 | 680 | 19.800 | 3 F + N + T | 400 | 50/60 | 450° |
| MAX 18 | 235 | 321 | 1340 | 1270 | 680 | 25.800 | 3 F + N + T | 400 | 50/60 | 450° |

01-09-2013