

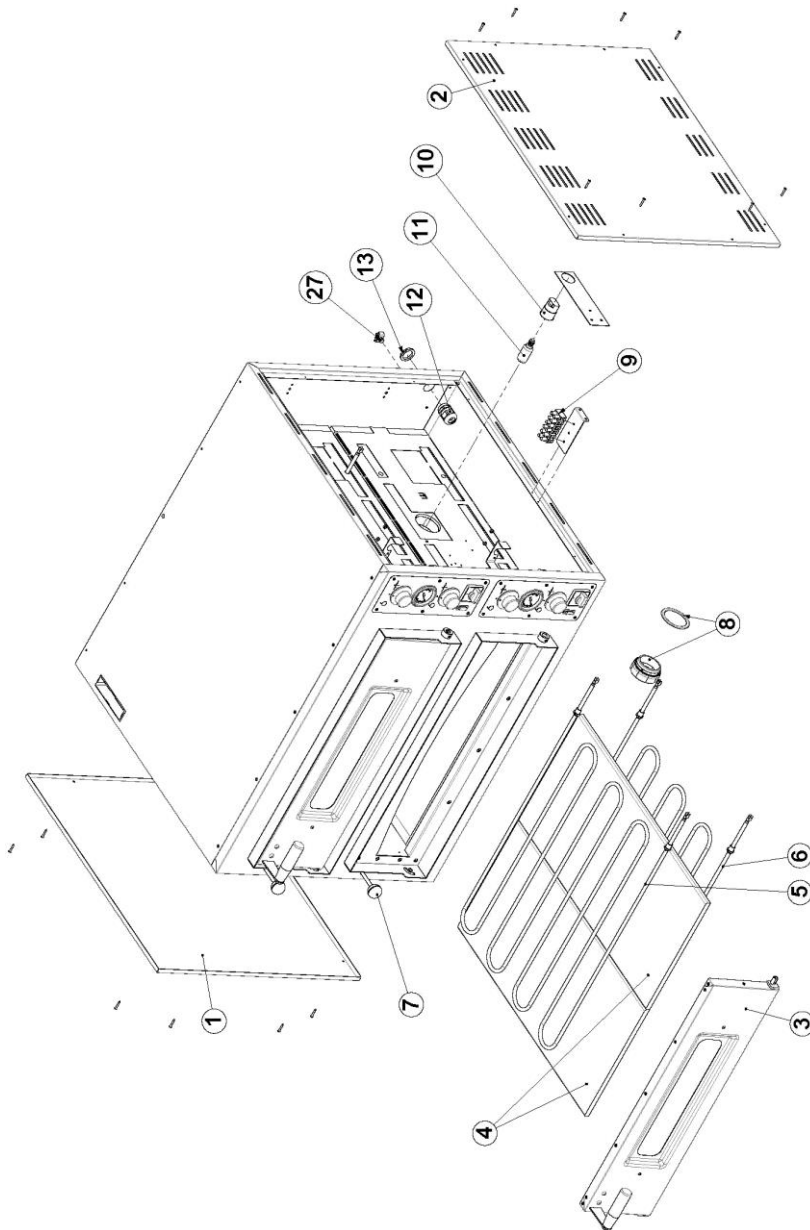
**PizzaGroup**

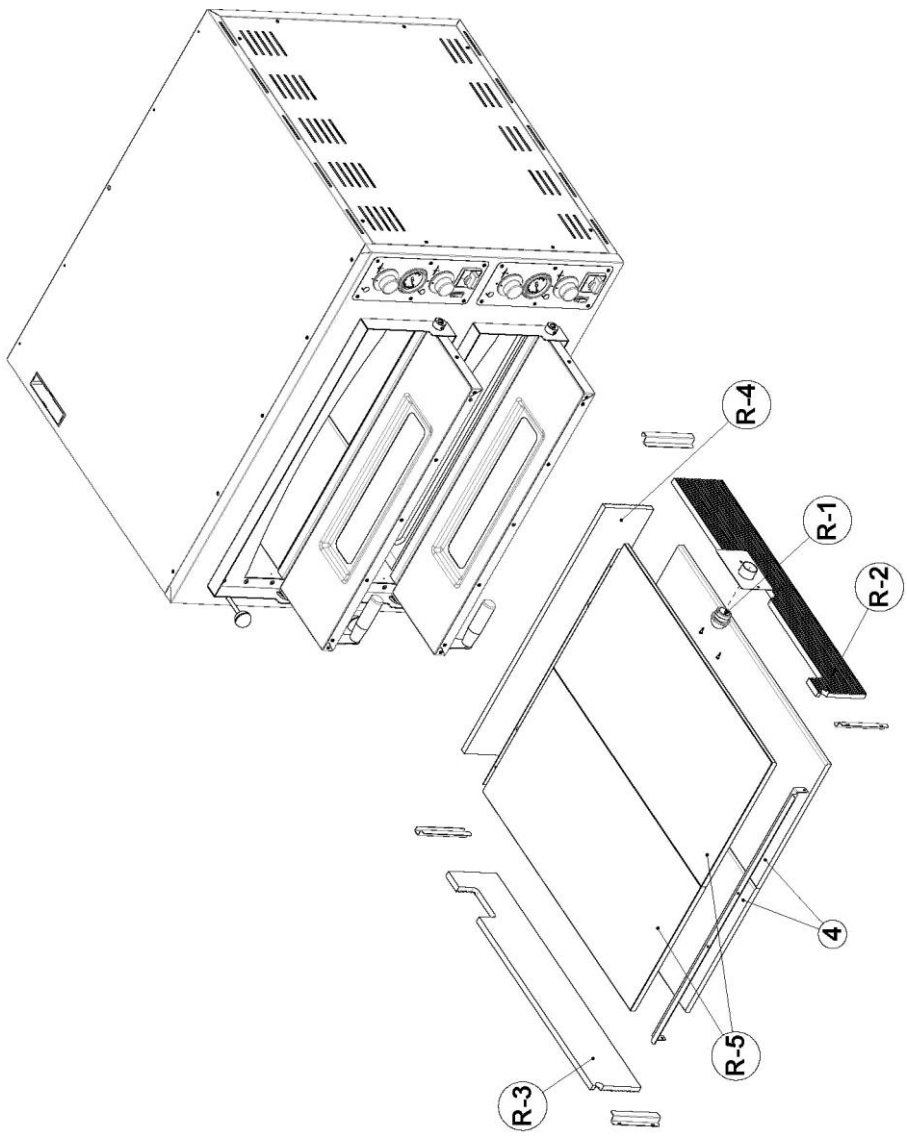


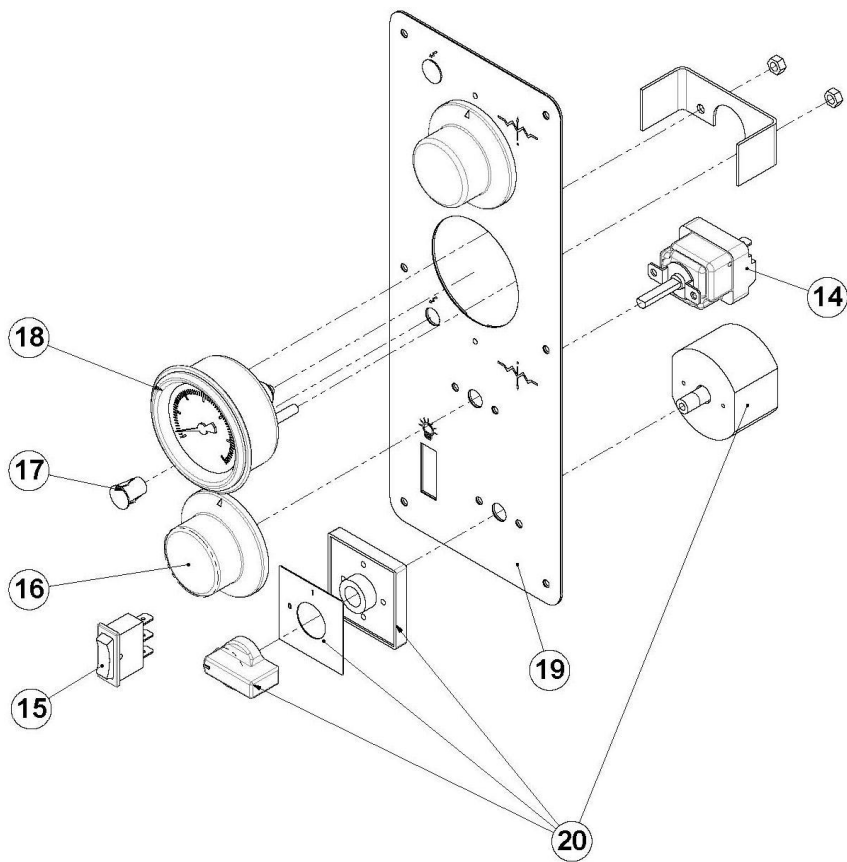
**EXPLODED VIEW  
ENTRY MAX**

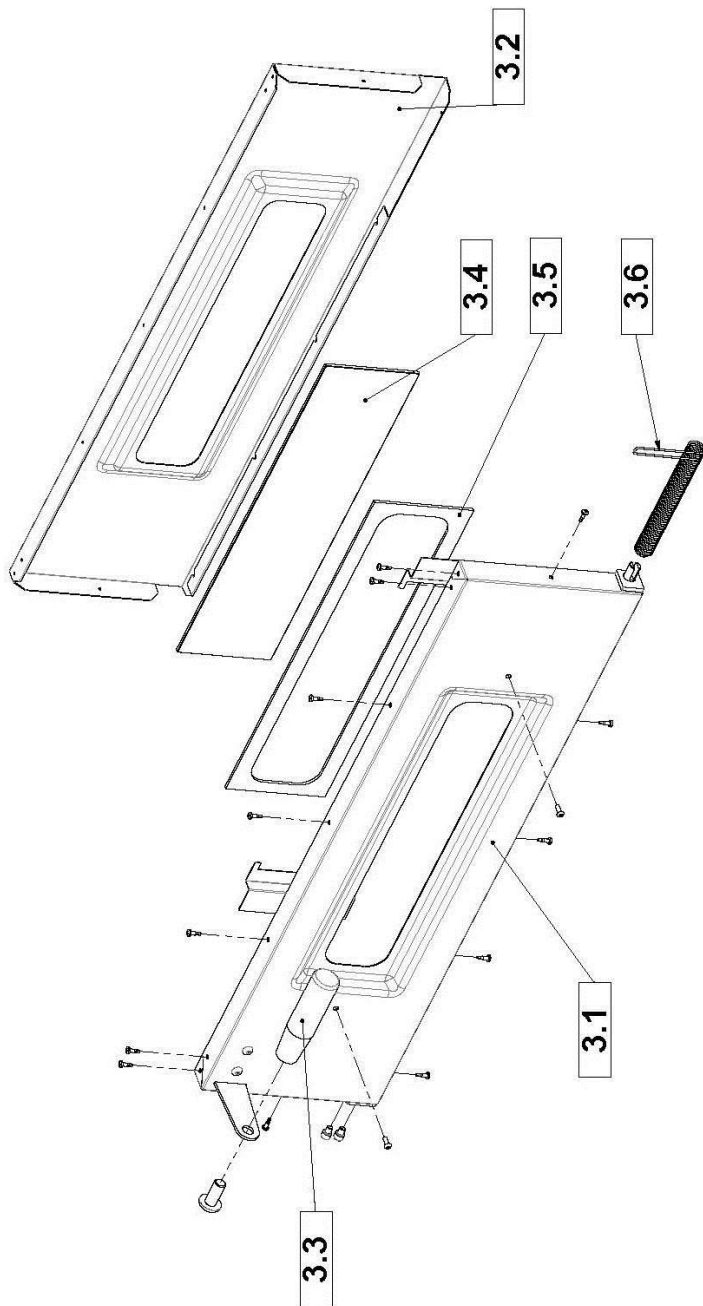


## EXPLODED VIEW AND SPARE PARTS LIST

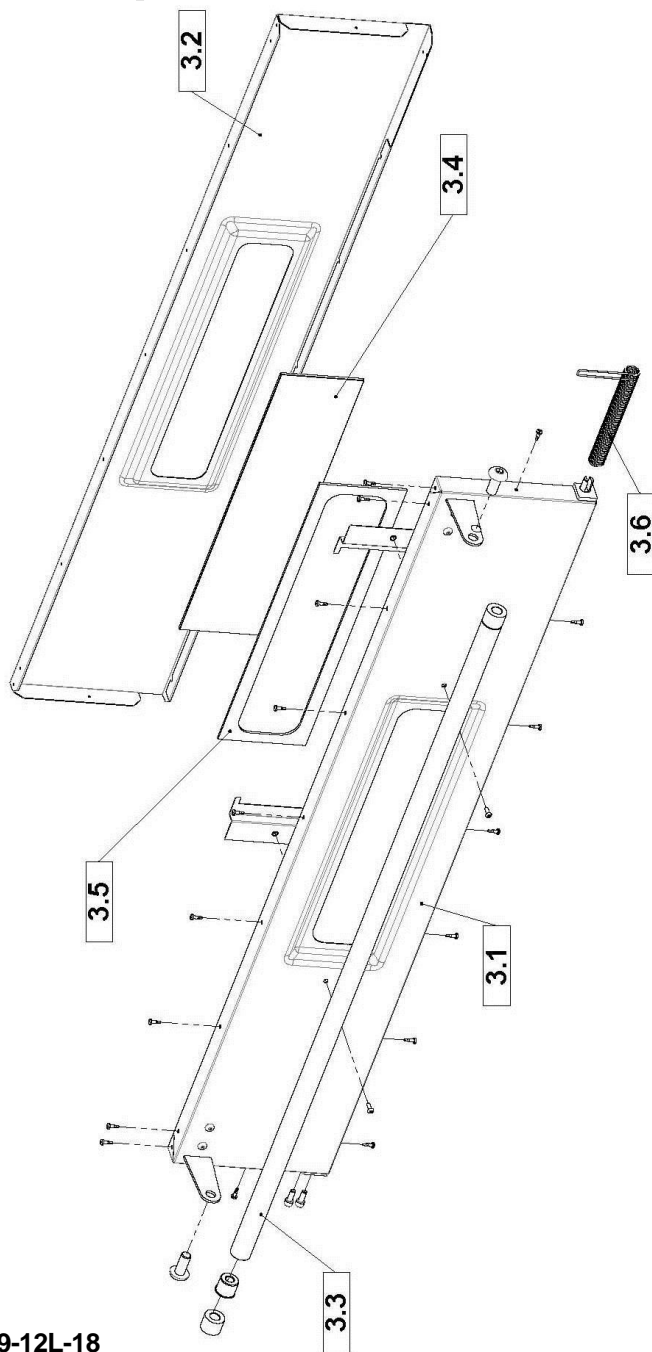








ENTRY MAX 4-6-8-12



ENTRY MAX 6L-9-12L-18

**Entry 4 MAX code P07EN10017**

<b>Pos.</b>	<b>Code</b>	<b>Description</b>
1	S40FN55007	Entry LH side panel 4-6L MAX
2	S40FN55005	Entry RH side panel 4-6L MAX
3	S35FN55036	Entry complete door 4-6-8-12 MAX
3.1	S66PT55016	Entry door assembly 4-6-8-12 MAX
3.2	S34FN55016	Counterdoor assembly 4-6-8-12 MAX
3.3	A90MI65003	Elesa handle I 280/115 M12
3.4	A00PT55003	Entry glass ceramic plate
3.5	A94GU65002	Joint Entry
3.6	A86ME30004	Entry oven door spring 6L-9-12L-18
4	A95OO65008	Hollow tile 350x700x14
5	A87RZ65005	Resistor 2800 W 230 V Prime 4-8
6	A87RZ65005	Resistor 2800 W 230 V Prime 4-8
7	A90MP65001	Spheric knob PLX.30-M8-C9
8	A87IL74003	Round lamp glass BJB 77.360.002.00 with metal ring BJB 77.906.136.10
9	A87CX62006	Mammut assembly
10	A87IL73006	Lamp holder Vossloh Schwabe E14 Type
11	A87IL72010	Incandescent lamp 40W 230V E14
12	A86EL46004	Cable gland OBO 106 PG 21
13	A86EL47003	Nut for cable gland OBO 106 PG 11
14	A88TX77005	Single-pole thermostat Tmax=450°
15	A87AZ69006	Red single-pole switch
16	S73FN55009	Thermostat knob AP10 scale 0-10
17	A87IL72005	Warning light lamp 380 V
18	A88TC83001	Analogue thermometer 0-500°C
19	A93OL65049	Entry control label MAX PizzaGroup
20	A87AZ69004	Four-pole switch 16A
22	A93AD00011	Resin coated label "PizzaGroup"
27	A86EL48001	Equipotential connection



<b>OPTIONAL-Tutto refrattario</b>		
R-1	A87IL74006	Dome-form lamp glass
R-2	S41CM61007	Hollow tile RH Entry MAX 4-6L-8-12L
R-3	S41CM61008	Hollow tile LH Entry MAX 4-6L-8-12L
R-4	S41CM61003	Back Hollow tile Prime 8
R-5	A95OO65008	Hollow tile 350x700x14

**Entry 8 MAX code P07EN10021**

<b>Pos.</b>	<b>Code</b>	<b>Description</b>
1	S40FN55003	Entry LH side panel 8-12L MAX
2	S40FN55001	Entry RH side panel 8-12L MAX
3	S35FN55036	Entry complete door 4-6-8-12 MAX
3.1	S66PT55016	Entry door assembly 4-6-8-12 MAX
3.2	S34FN55016	Counterdoor assembly 4-6-8-12 MAX
3.3	A90MI65003	Elesa handle I 280/115 M12
3.4	A00PT55003	Entry glass ceramic plate
3.5	A94GU65002	Joint Entry
3.6	A86ME30004	Entry oven door spring 6L-9-12L-18
4	A95OO65008	Hollow tile 350x700x14
5	A87RZ65005	Resistor 2800 W 230 V Prime 4-8
6	A87RZ65005	Resistor 2800 W 230 V Prime 4-8
7	A90MP65001	Spheric knob PLX.30-M8-C9
8	A87IL74003	Round lamp glass BJB 77.360.002.00 with metal ring BJB 77.906.136.10
9	A87CX62006	Mammut assembly
10	A87IL73006	Lamp holder Vossloh Schwabe E14 Type
11	A87IL72010	Incandescent lamp 40W 230V E14
12	A86EL46004	Cable gland OBO 106 PG 21
13	A86EL47003	Nut for cable gland OBO 106 PG 11
14	A88TX77005	Single-pole thermostat Tmax=450°
15	A87AZ69006	Red single-pole switch
16	S73FN55009	Thermostat knob AP10 scale 0-10
17	A87IL72005	Warning light lamp 380 V
18	A88TC83001	Analogue thermometer 0-500°C
19	A93OL65049	Entry control label MAX PizzaGroup
20	A87AZ69004	Four-pole switch 16A
22	A93AD00011	Resin coated label "PizzaGroup"
27	A86EL48001	Equipotential connection

<b>OPTIONAL-Tutto refrattario</b>		
R-1	A87IL74006	Dome-form lamp glass
R-2	S41CM61007	Hollow tile RH Entry MAX 4-6L-8-12L
R-3	S41CM61008	Hollow tile LH Entry MAX 4-6L-8-12L
R-4	S41CM61003	Back Hollow tile Prime 8
R-5	A95OO65008	Hollow tile 350x700x14

**Entry 6 MAX code P07EN10018**

<b>Pos.</b>	<b>Code</b>	<b>Description</b>
1	S40FN55021	Entry LH side panel 6-9 MAX
2	S40FN55023	Entry RH side panel 6-9 MAX
3	S35FN55036	Entry complete door 4-6-8-12 MAX
3.1	S66PT55016	Entry door assembly 4-6-8-12 MAX
3.2	S34FN55016	Counterdoor assembly 4-6-8-12 MAX
3.3	A90MI65003	Elesa handle I 280/115 M12
3.4	A00PT55003	Entry glass ceramic plate
3.5	A94GU65002	Joint Entry
3.6	A86ME30004	Entry oven door spring 6L-9-12L-18
4	A95OO65009	Hollow tile 350x1050x14
5	A87RZ65011	Resistor 850 W 230 V
6	A87RZ65006	Resistor 700 W 230 V
7	A90MP65001	Spheric knob PLX.30-M8-C9
8	A87IL74003	Round lamp glass BJB 77.360.002.00 with metal ring BJB 77.906.136.10
9	A87CX62006	Mammut assembly
10	A87IL73006	Lamp holder Vossloh Schwabe E14 Type
11	A87IL72010	Incandescent lamp 40W 230V E14
12	A86EL46004	Cable gland OBO 106 PG 21
13	A86EL47003	Nut for cable gland OBO 106 PG 11
14	A88TX85003	Three-phase thermostat Tmax=450°
15	A87AZ69006	Red single-pole switch
16	S73FN55009	Thermostat knob AP10 scale 0-10
17	A87IL72005	Warning light lamp 380 V
18	A88TC83001	Analogue thermometer 0-500°C
19	A93OL65049	Entry control label MAX PizzaGroup
20	A87AZ69004	Four-pole switch 16A
22	A93AD00011	Resin coated label "PizzaGroup"
27	A86EL48001	Equipotential connection

<b>OPTIONAL-Tutto refrattario</b>		
R-1	A87IL74006	Dome-form lamp glass
R-2	S41CM61010	Hollow tile RH Entry MAX 6-9-12-18
R-3	S41CM61009	Hollow tile LH Entry MAX 6-9-12-18
R-4	S41CM61003	Back Hollow tile Prime 8
R-5	A95OO65009	Hollow tile 350x1050x14

**Entry12 MAX code P07EN10022**

<b>Pos.</b>	<b>Code</b>	<b>Description</b>
1	S40FN55019	Entry LH side panel 12-18 MAX
2	S40FN55017	Entry RH side panel 12-18 MAX
3	S35FN55036	Entry complete door 4-6-8-12 MAX
3.1	S66PT55016	Entry door assembly 4-6-8-12 MAX
3.2	S34FN55016	Counterdoor assembly 4-6-8-12 MAX
3.3	A90MI65003	Elesa handle I 280/115 M12
3.4	A00PT55003	Entry glass ceramic plate
3.5	A94GU65002	Joint Entry
3.6	A86ME30004	Entry oven door spring 6L-9-12L-18
4	A95OO65009	Hollow tile 350x1050x14
5	A87RZ65011	Resistor 850 W 230 V
6	A87RZ65006	Resistor 700 W 230 V
7	A90MP65001	Spheric knob PLX.30-M8-C9
8	A87IL74003	Round lamp glass BJB 77.360.002.00 with metal ring BJB 77.906.136.10
9	A87CX62006	Mammut assembly
10	A87IL73006	Lamp holder Vossloh Schwabe E14 Type
11	A87IL72010	Incandescent lamp 40W 230V E14
12	A86EL46004	Cable gland OBO 106 PG 21
13	A86EL47003	Nut for cable gland OBO 106 PG 11
14	A88TX85003	Three-phase thermostat Tmax=450°
15	A87AZ69006	Red single-pole switch
16	S73FN55009	Thermostat knob AP10 scale 0-10
17	A87IL72005	Warning light lamp 380 V
18	A88TC83001	Analogue thermometer 0-500°C
19	A93OL65049	Entry control label MAX PizzaGroup
20	A87AZ69004	Four-pole switch 16A
22	A93AD00011	Resin coated label "PizzaGroup"
27	A86EL48001	Equipotential connection

<b>OPTIONAL-Tutto refrattario</b>		
R-1	A87IL74006	Dome-form lamp glass
R-2	S41CM61010	Hollow tile RH Entry MAX 6-9-12-18
R-3	S41CM61009	Hollow tile LH Entry MAX 6-9-12-18
R-4	S41CM61003	Back Hollow tile Prime 8
R-5	A95OO65009	Hollow tile 350x1050x14

**Entry6L MAX code P07EN10019**

<b>Pos.</b>	<b>Code</b>	<b>Description</b>
1	S40FN55007	Entry LH side panel 4-6L MAX
2	S40FN55005	Entry RH side panel 4-6L MAX
3	S35FN55039	Entry complete door 6L-9-12L-18 MAX
3.1	S66PT55017	Entry door assembly 6L-9-12L-18 MAX
3.2	S34FN55018	Counterdoor assembly 6L-9-12L-18 MAX
3.3	S66MG55003	Handle assembly 6L-9-12L-18 Entry MAX
3.4	A00PT55003	Entry glass ceramic plate
3.5	A94GU65002	Joint Entry
3.6	A86ME30004	Entry oven door spring 6L-9-12L-18
4	A95OO65008	Hollow tile 350x700x14
5	A87RZ65010	Resistor 900 W 230 V
6	A87RZ65007	Resistor 750 W 230 V
7	A90MP65001	Spheric knob PLX.30-M8-C9
8	A87IL74003	Round lamp glass BJB 77.360.002.00 with metal ring BJB 77.906.136.10
9	A87CX62006	Mammut assembly
10	A87IL73006	Lamp holder Vossloh Schwabe E14 Type
11	A87IL72010	Incandescent lamp 40W 230V E14
12	A86EL46004	Cable gland OBO 106 PG 21
13	A86EL47003	Nut for cable gland OBO 106 PG 11
14	A88TX85003	Three-phase thermostat Tmax=450°
15	A87AZ69006	Red single-pole switch
16	S73FN55009	Thermostat knob AP10 scale 0-10
17	A87IL72005	Warning light lamp 380 V
18	A88TC83001	Analogue thermometer 0-500°C
19	A93OL65049	Entry control label MAX PizzaGroup
20	A87AZ69004	Four-pole switch 16A
22	A93AD00011	Resin coated label "PizzaGroup"
27	A86EL48001	Equipotential connection



<b>OPTIONAL-Tutto refrattario</b>		
R-1	A87IL74006	Dome-form lamp glass
R-2	S41CM61007	Hollow tile RH Entry MAX 4-6L-8-12L
R-3	S41CM61008	Hollow tile LH Entry MAX 4-6L-8-12L
R-4	S41CM61006	Back Hollow tile Prime 6L-9
R-5	A95OO65008	Hollow tile 350x700x14

**Entry12LMAX codeP07EN10023**

<b>Pos.</b>	<b>Code</b>	<b>Description</b>
1	S40FN55003	Entry LH side panel 8-12L MAX
2	S40FN55001	Entry RH side panel 8-12L MAX
3	S35FN55039	Entry complete door 6L-9-12L-18 MAX
3.1	S66PT55017	Entry door assembly 6L-9-12L-18 MAX
3.2	S34FN55018	Counterdoor assembly 6L-9-12L-18 MAX
3.3	S66MG55003	Handle assembly 6L-9-12L-18 Entry MAX
3.4	A00PT55003	Entry glass ceramic plate
3.5	A94GU65002	Joint Entry
3.6	A86ME30004	Entry oven door spring 6L-9-12L-18
4	A95OO65008	Hollow tile 350x700x14
5	A87RZ65010	Resistor 900 W 230 V
6	A87RZ65007	Resistor 750 W 230 V
7	A90MP65001	Spheric knob PLX.30-M8-C9
8	A87IL74003	Round lamp glass BJB 77.360.002.00 with metal ring BJB 77.906.136.10
9	A87CX62006	Mammut assembly
10	A87IL73006	Lamp holder Vossloh Schwabe E14 Type
11	A87IL72010	Incandescent lamp 40W 230V E14
12	A86EL46004	Cable gland OBO 106 PG 21
13	A86EL47003	Nut for cable gland OBO 106 PG 11
14	A88TX85003	Three-phase thermostat Tmax=450°
15	A87AZ69006	Red single-pole switch
16	S73FN55009	Thermostat knob AP10 scale 0-10
17	A87IL72005	Warning light lamp 380 V
18	A88TC83001	Analogue thermometer 0-500°C
19	A93OL65049	Entry control label MAX PizzaGroup
20	A87AZ69004	Four-pole switch 16A
22	A93AD00011	Resin coated label "PizzaGroup"
27	A86EL48001	Equipotential connection

<b>OPTIONAL-Tutto refrattario</b>		
R-1	A87IL74006	Dome-form lamp glass
R-2	S41CM61007	Hollow tile RH Entry MAX 4-6L-8-12L
R-3	S41CM61008	Hollow tile LH Entry MAX 4-6L-8-12L
R-4	S41CM61006	Back Hollow tile Prime 6L-9
R-5	A95OO65008	Hollow tile 350x700x14

**Entry 9 MAX code P07EN10018**

<b>Pos.</b>	<b>Code</b>	<b>Description</b>
1	S40FN55021	Entry LH side panel 6-9 MAX
2	S40FN55023	Entry RH side panel 6-9 MAX
3	S35FN55039	Entry complete door 6L-9-12L-18 MAX
3.1	S66PT55017	Entry door assembly 6L-9-12L-18 MAX
3.2	S34FN55018	Counterdoor assembly 6L-9-12L-18 MAX
3.3	S66MG55003	Handle assembly 6L-9-12L-18 Entry MAX
3.4	A00PT55003	Entry glass ceramic plate
3.5	A94GU65002	Joint Entry
3.6	A86ME30004	Entry oven door spring 6L-9-12L-18
4	A95OO65009	Hollow tile 350x1050x14
5	A87RZ65008	Resistor 1250 W 230 V
6	A87RZ65010	Resistor 900 W 230 V
7	A90MP65001	Spheric knob PLX.30-M8-C9
8	A87IL74003	Round lamp glass BJB 77.360.002.00 with metal ring BJB 77.906.136.10
9	A87CX62006	Mammut assembly
10	A87IL73006	Lamp holder Vossloh Schwabe E14 Type
11	A87IL72010	Incandescent lamp 40W 230V E14
12	A86EL46004	Cable gland OBO 106 PG 21
13	A86EL47003	Nut for cable gland OBO 106 PG 11
14	A88TX85003	Three-phase thermostat Tmax=450°
15	A87AZ69006	Red single-pole switch
16	S73FN55009	Thermostat knob AP10 scale 0-10
17	A87IL72005	Warning light lamp 380 V
18	A88TC83001	Analogue thermometer 0-500°C
19	A93OL65049	Entry control label MAX PizzaGroup
20	A87AZ69004	Four-pole switch 16A
22	A93AD00011	Resin coated label "PizzaGroup"
27	A86EL48001	Equipotential connection

<b>OPTIONAL-Tutto refrattario</b>		
R-1	A87IL74006	Dome-form lamp glass
R-2	S41CM61010	Hollow tile RHEntry MAX 6-9-12-18
R-3	S41CM61009	Hollow tile LH Entry MAX 6-9-12-18
R-4	S41CM61006	Back Hollow tile Prime 6L-9
R-5	A95OO65009	Hollow tile 350x1050x14

**Entry18 MAX code P07EN10018**

<b>Pos.</b>	<b>Code</b>	<b>Description</b>
1	S40FN55019	Entry LH side panel 12-18 MAX
2	S40FN55017	Entry RH side panel 12-18 MAX
3	S35FN55039	Entry complete door 6L-9-12L-18 MAX
3.1	S66PT55017	Entry door assembly 6L-9-12L-18 MAX
3.2	S34FN55018	Counterdoor assembly 6L-9-12L-18 MAX
3.3	S66MG55003	Handle assembly 6L-9-12L-18 Entry MAX
3.4	A00PT55003	Entry glass ceramic plate
3.5	A94GU65002	Joint Entry
3.6	A86ME30004	Entry oven door spring 6L-9-12L-18
4	A95OO65009	Hollow tile 350x1050x14
5	A87RZ65008	Resistor 1250 W 230 V
6	A87RZ65010	Resistor 900 W 230 V
7	A90MP65001	Spheric knob PLX.30-M8-C9
8	A87IL74003	Round lamp glass BJB 77.360.002.00 with metal ring BJB 77.906.136.10
9	A87CX62006	Mammut assembly
10	A87IL73006	Lamp holder Vossloh Schwabe E14 Type
11	A87IL72010	Incandescent lamp 40W 230V E14
12	A86EL46004	Cable gland OBO 106 PG 21
13	A86EL47003	Nut for cable gland OBO 106 PG 11
14	A88TX85003	Three-phase thermostat Tmax=450°
15	A87AZ69006	Red single-pole switch
16	S73FN55009	Thermostat knob AP10 scale 0-10
17	A87IL72005	Warning light lamp 380 V
18	A88TC83001	Analogue thermometer 0-500°C
19	A93OL65049	Entry control label MAX PizzaGroup
20	A87AZ69004	Four-pole switch 16A
22	A93AD00011	Resin coated label "PizzaGroup"
27	A86EL48001	Equipotential connection

<b>OPTIONAL-Tutto refrattario</b>		
R-1	A87IL74006	Dome-form lamp glass
R-2	S41CM61010	Hollow tile RH Entry MAX 6-9-12-18
R-3	S41CM61009	Hollow tile LH Entry MAX 6-9-12-18
R-4	S41CM61006	Back Hollow tile Prime 6L-9
R-5	A95OO65009	Hollow tile 350x1050x14

## TECHNICAL DATA

Model	Weight (Kg)	Weight with brick (Kg)	Width (mm)	Depth (mm)	Height (mm)	Power consumption (W)	Supply Voltage (V)	Frequency (Hz)	Maximal Temperature Set (°C)	Width (mm)
MAX 4	74	96	990	920	380	5.600	3 F + N + T	400	50/60	450°
MAX 6	97	128	990	1270	380	9.300	3 F + N + T	400	50/60	450°
MAX 6L	97	127	1340	920	380	9.900	3 F + N + T	400	50/60	450°
MAX 9	130	173	1340	1270	380	12.900	3 F + N + T	400	50/60	450°
MAX 8	149	193	990	920	680	11.200	3 F + N + T	400	50/60	450°
MAX 12	175	237	990	1270	680	18.600	3 F + N + T	400	50/60	450°
MAX 12L	177	237	1340	920	680	19.800	3 F + N + T	400	50/60	450°
MAX 18	235	321	1340	1270	680	25.800	3 F + N + T	400	50/60	450°



01-09-2013