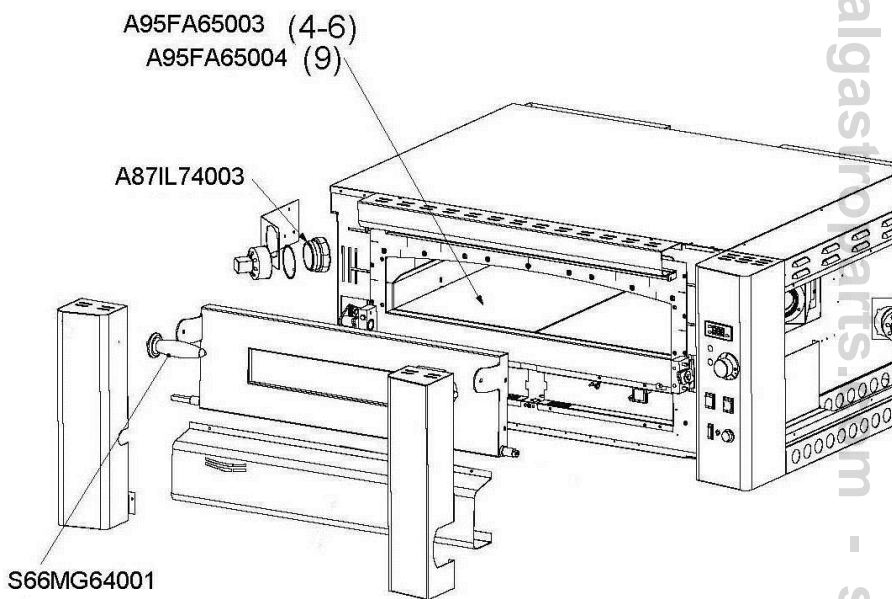
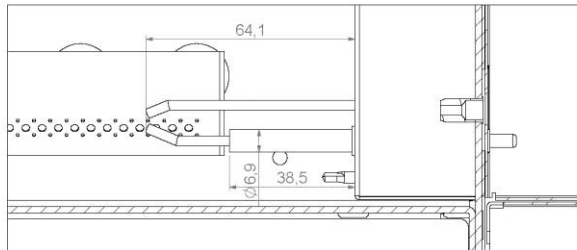
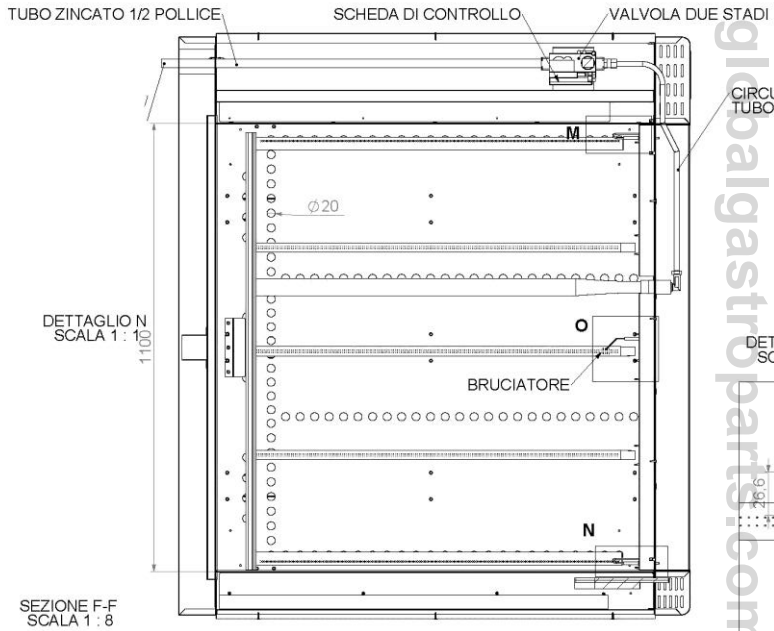


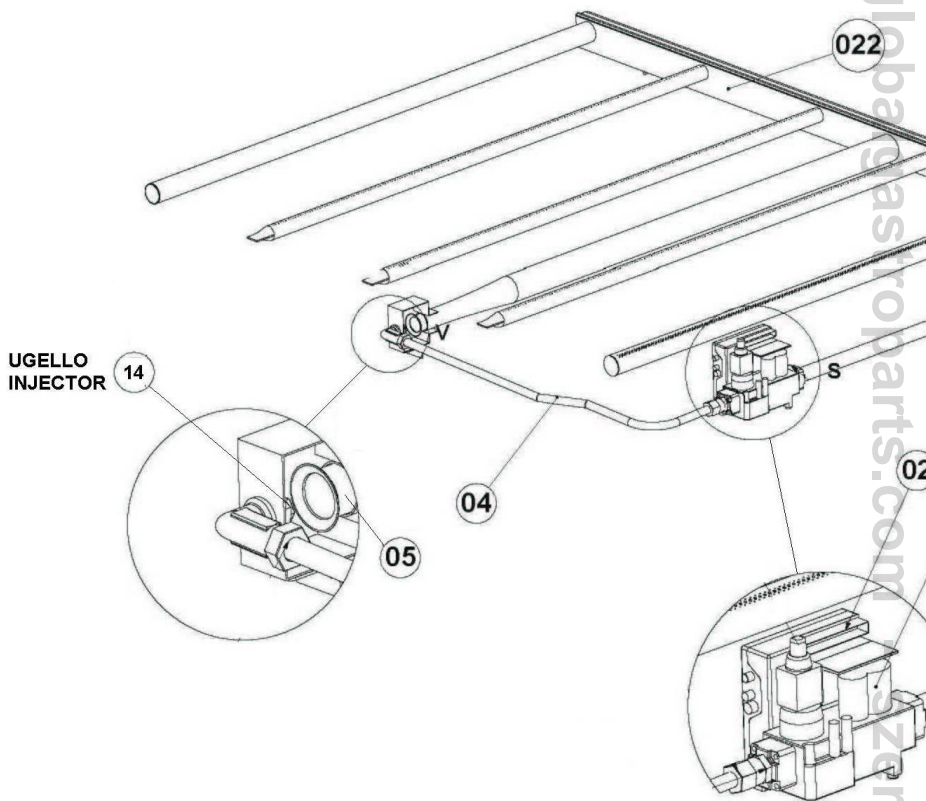
PizzaGroup



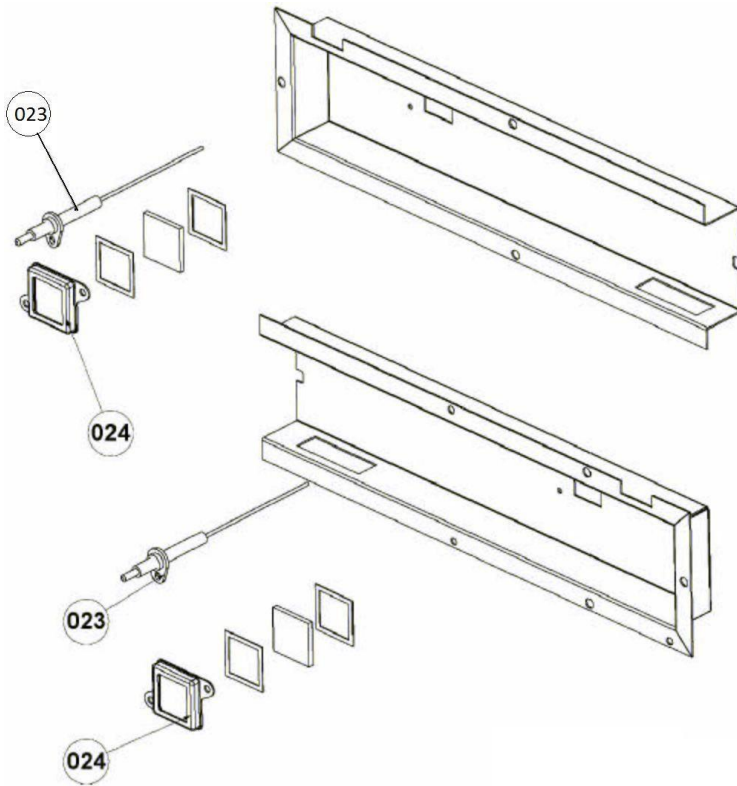
**EXPLODED VIEW
FLAME 4 – 6 – 9**





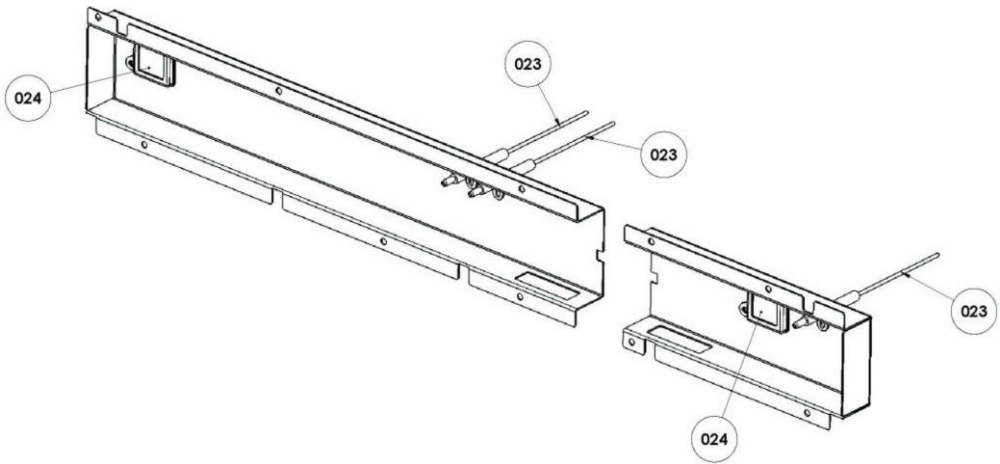


FLAME 4



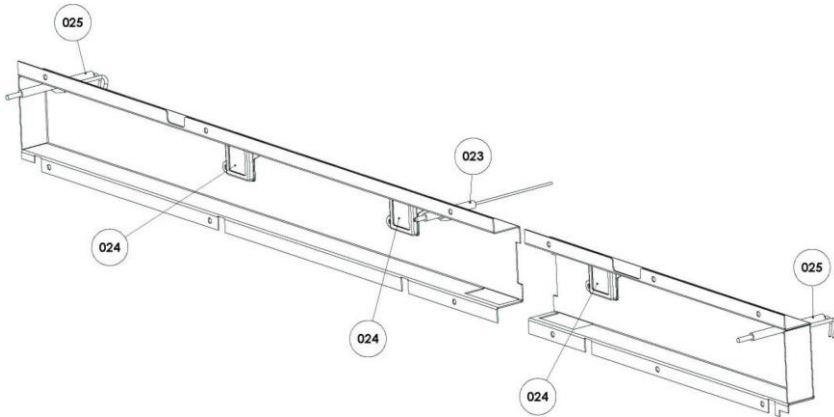
Pos.	Code	Description
1	A92VA86005	TWO STAGE GAS VALVE model VK4105P2037B GAS OVEN
2	A88SE86001	IGNITION CARD model SA565A2092B GAS OVEN
4	S74TB57005	Ø12X1 GAS 4 COPPER PIPE
5	A92VA86003	GAS 4 AIR ADJUSTMENT BUSH Ø20-20X1X42
13	S74TB57002	1/2" GAS 4 OVEN GALVANIZED PIPE
14	A92UG86003	INJECTOR NATURAL GAS FLAME 4 (Ø 335)
14	A92UG86004	INJECTOR LPG GAS FLAME 4 (Ø 195)
22	A92BU86001	GAS 4 OVEN BURNER
23	A92EO86003	IGNITION / DETECTION ELECTRODE G4-G6
24	A92VE86001	SLIDE ASSEMBLY INSPECTION Mis. 30x30x3

FLAME 6



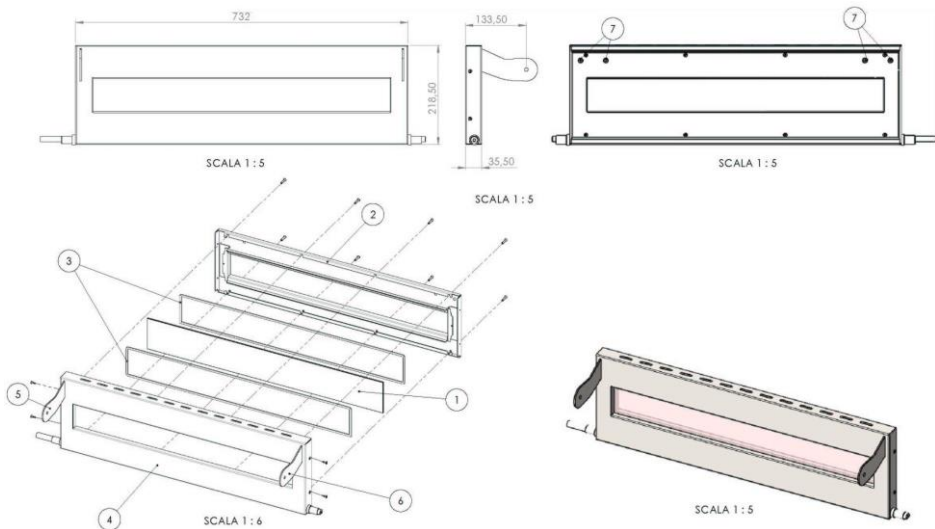
Pos.	Code	Description
1	A92VA86005	TWO STAGE GAS VALVE model VK4105P2037B GAS OVEN
2	A88SE86001	IGNITION CARD model SA565A2092B GAS OVEN
4	S74TB57003	Ø12X1 GAS 6 COPPER PIPE
5	A92VA86002	GAS 6 AIR ADJUSTMENT BUSH Ø24-22X1X42
13	S74TB57001	1/2" GAS 6 OVEN GALVANIZED PIPE
14	A92UG86001	INJECTOR NATURAL GAS FLAME 6 (Ø 400)
14	A92UG86002	INJECTOR LPG GAS FLAME 6 (Ø 230)
22	A92BU86002	GAS 6 OVEN BURNER
23	A92EO86003	IGNITION / DETECTION ELECTRODE G4-G6
24	A92VE86001	SLIDE ASSEMBLY INSPECTION Mis. 30x30x3

FLAME 9



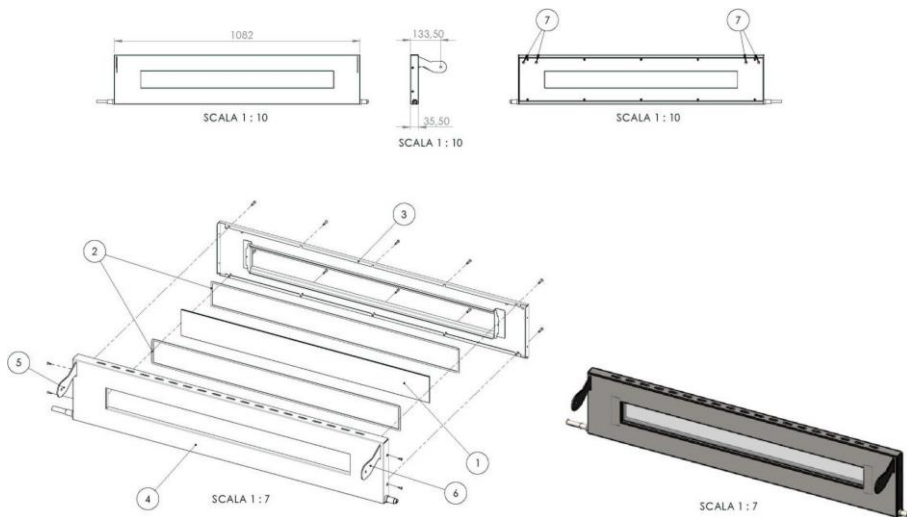
Pos.	Code	Description
1	A92VA86005	TWO STAGE GAS VALVE model VK4105P2037B GAS OVEN
2	A88SE86001	IGNITION CARD model SA565A2092B GAS OVEN
4	S74TB57004	Ø12X1 GAS 9 COPPER PIPE
5	A92VA86004	GAS 9 AIR ADJUSTMENT BUSH Ø26-24X1X42
13	S74TB57001	1/2" GAS 6-9 OVEN GALVANIZED PIPE
14	A92UG86005	INJECTOR NATURAL GAS FLAME 9 (Ø 500)
14	A92UG86006	INJECTOR LPG GAS FLAME 9 (Ø 300)
22	A92BU86003	GAS 9 OVEN BURNER
23	A92EO86003	DETECTION ELECTRODE GAS 4-6-9
24	A92VE86001	INSPECTION WINDOW ASSEMBLY, 2 GASKETS Meas. 30x30x3 GAS OVEN
25	A92EO86002	IGNITION ELECTRODE GAS 9

DOOR COMPLETE 4-6 (S35FN57006)



Pos.	Code	Description	Q.ty
1	A00PT57001	CERAMIC GLASS 515X94X4 MM	1
2	S66CG64011	INNER DOOR ASSEMBLY 4-6	1
3	A94NC00006	ADHESIVE JOINT 6x2 mm	2
4	S66PT64001	DOOR ASSEMBLY 4-6	1
5	S42MG64006	LEFT SUPPORT HANDLE	1
6	S42MG64008	RIGHT SUPPORT HANDLE	1
7	A86ME24081	SCREW DIN 7991 M5x20	4

DOOR COMPLETE 4-6 (S35FN57007)



Pos.	Code	Description	Q.ty
1	A00PT64001	CERAMIC GLASS 865X94X4 MM	1
2	A94NC00006	ADHESIVE JOINT 6x2 mm	2
3	S66CG64012	INNER DOOR ASSEMBLY 9	1
4	S66PT64012	DOOR ASSEMBLY 9	1
5	S42MG64006	LEFT SUPPORT HANDLE	1
6	S42MG64008	RIGHT SUPPORT HANDLE	1
7	A86ME24081	SCREW DIN 7991 M5x20	4

