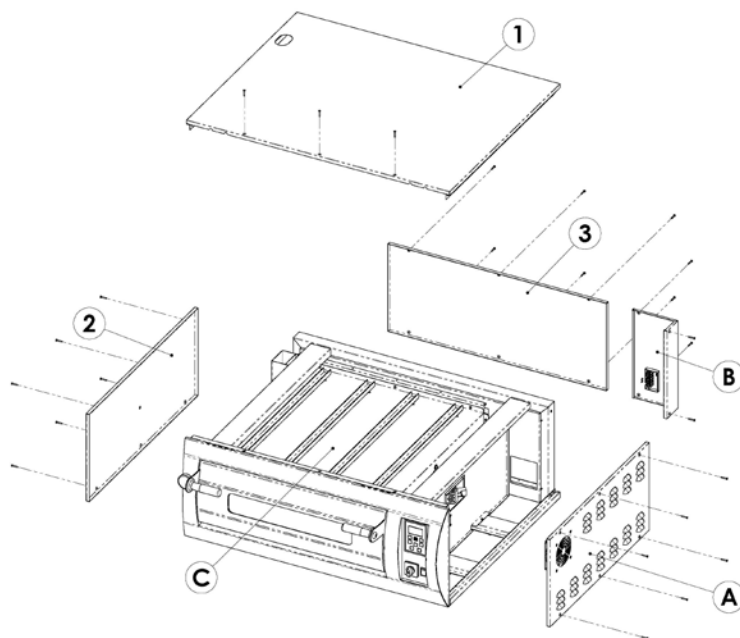


Parti di ricambio

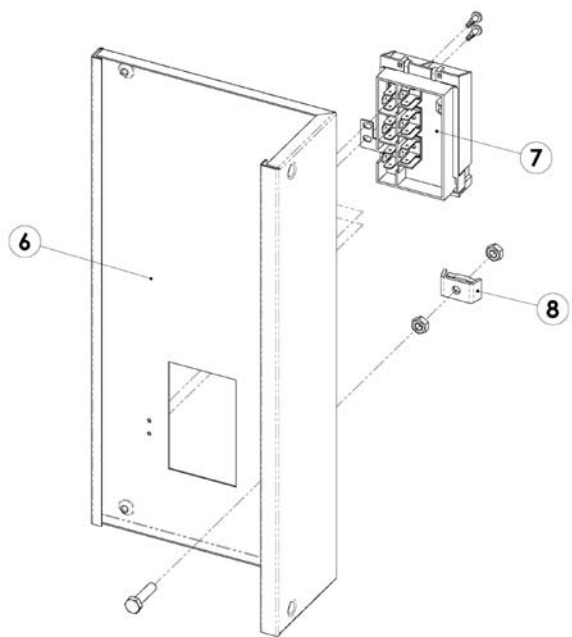
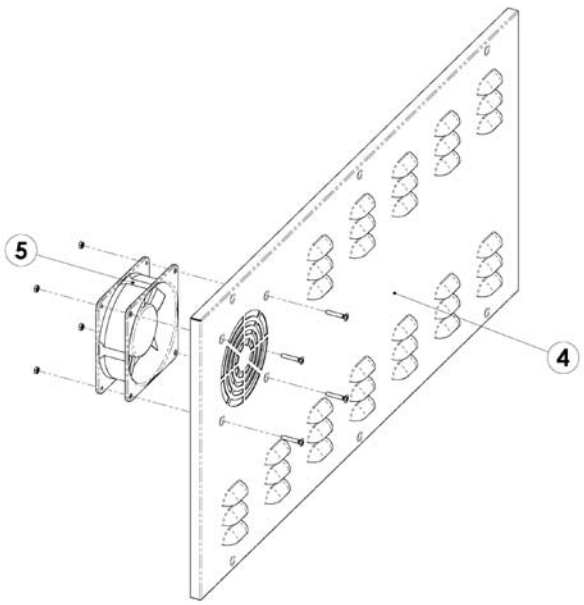
Per la richiesta di parti di ricambio riferirsi al capitolo "Servizio di Post-vendita".

Stati CEE:

Rivolgersi esclusivamente al proprio rivenditore.

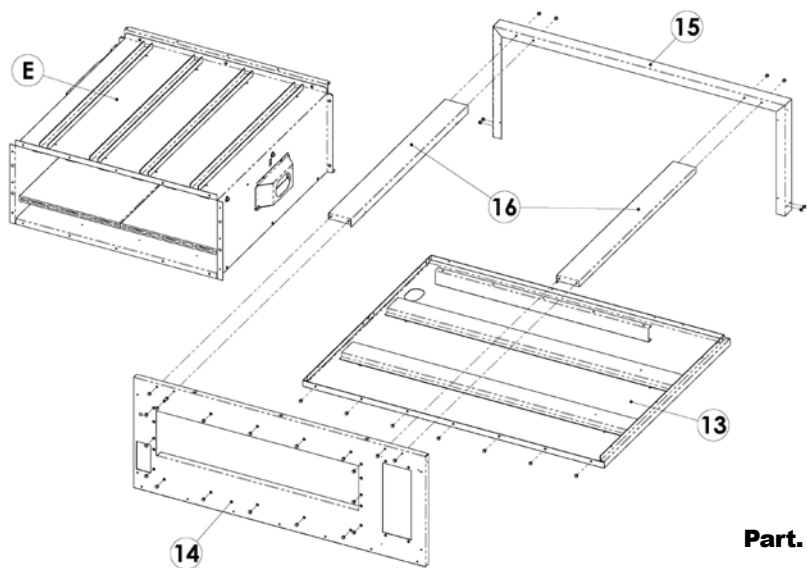
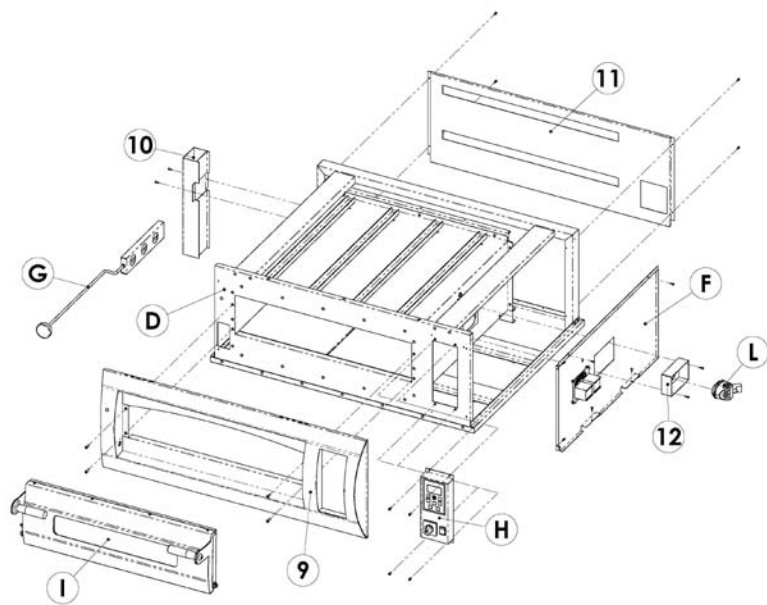


Part. A



Part. B

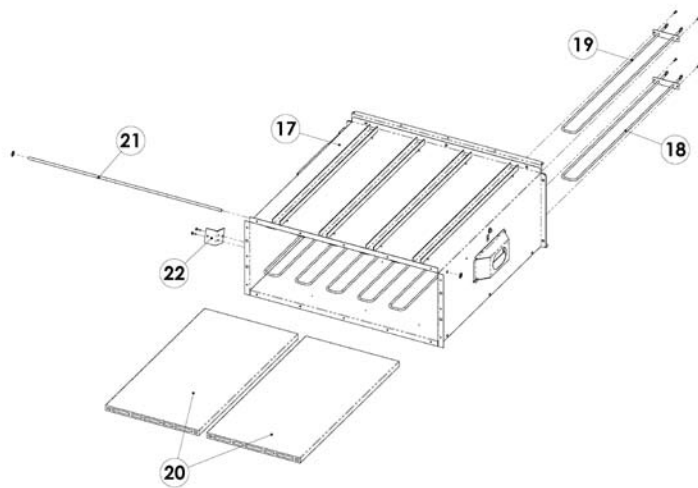
Part. C



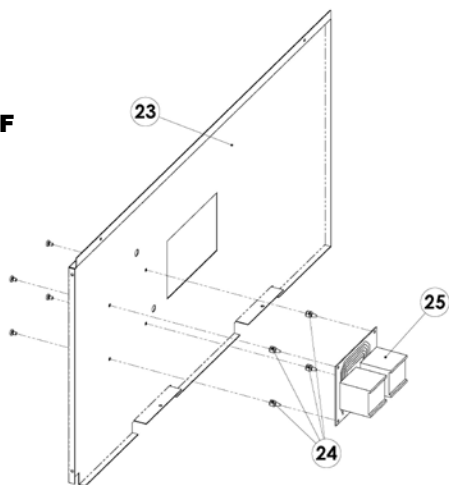
Part. D

SERVIZIO DI POST-VENDITA

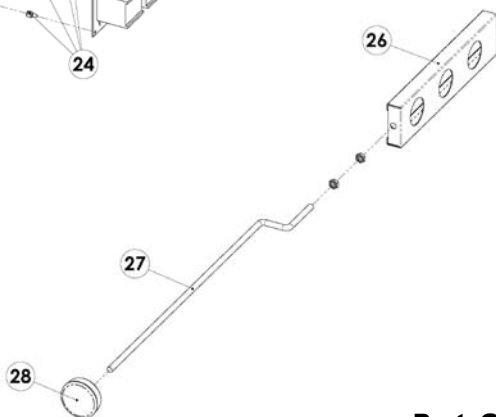
Part. E



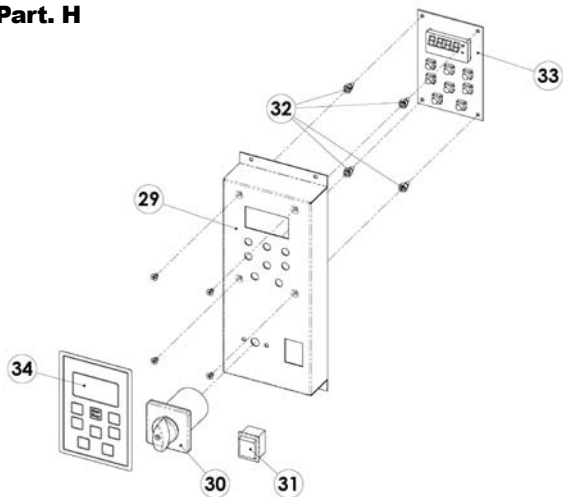
Part. F



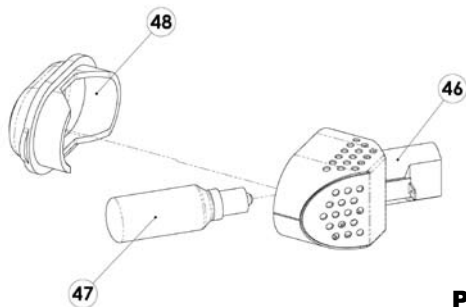
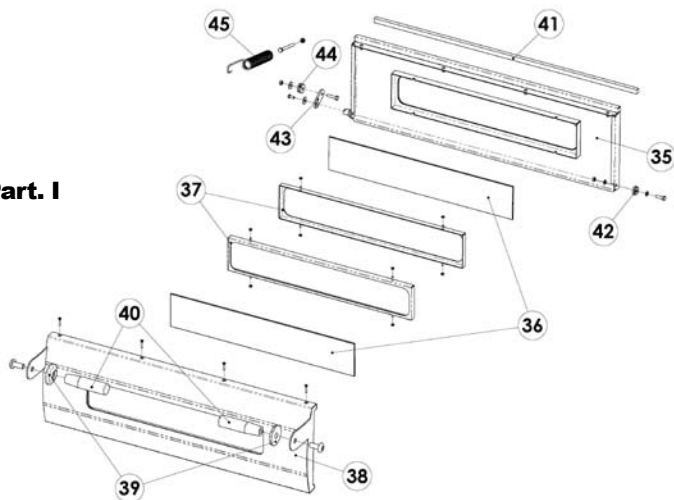
Part. G



Part. H



Part. I



Part. L

MODELLO	PROF D4+DS4	PROF D6+DS6	PROF D6L+DS6L	PROF D9+DS9	PROF D8+DS8	PROF D12+DS12	PROF D12L+DS12L	PROF D18+DS18
POSIZIONE	CODICE	CODICE	CODICE	CODICE	CODICE	CODICE	CODICE	CODICE
1	FP01010	FP01020	FP01030	FP01040	FP01010	FP01020	FP01030	FP01040
2	FP00970	FP00980	FP00970	FP00980	FP00990	FP01000	FP00990	FP01000
3	FP00492	FP00492	FP00502	FP00502	FP00512	FP00512	FP00522	FP00522
4	FP00452	FP00462	FP00452	FP00462	FP00472	FP00482	FP00472	FP00482
5	5371400	5371400	5371400	5371400	5371400	5371400	5371400	5371400
6	FP00111	FP00111	FP00111	FP00111	FP00121	FP00121	FP00121	FP00121
7	5581170	5581170	5581170	5581170	5581170	5581170	5581170	5581170
8	3002250	3002250	3002250	3002250	3002250	3002250	3002250	3002250
9	FP00810	FP00810	FP00820	FP00820	FP00830	FP00830	FP00840	FP00840
10	FP05301	FP05301	FP05301	FP05301	FP05311	FP05311	FP05311	FP05311
11	FP00370	FP00370	FP00380	FP00380	FP00390	FP00390	FP00400	FP00400
12	FP00550	FP00550	FP00550	FP00550	FP00550	FP00550	FP00550	FP00550
13	FP05201	FP05211	FP05221	FP05231	FP05201	FP05211	FP05221	FP05231
14	FP05100	FP05100	FP05110	FP05110	FP05120	FP05120	FP05130	FP05130
15	FP00130	FP00130	FP00140	FP00140	FP00150	FP00150	FP00160	FP00160
16	FP00170	FP00180	FP00170	FP00180	FP00170	FP00180	FP00170	FP00180
17	FP05000	FP05010	FP05020	FP05030	FP05000	FP05010	FP05020	FP05030
18	5592000	5592020	5592000	5592020	5592000	5592020	5592000	5592020
19	5592010	5592030	5592010	5592030	5592010	5592030	5592010	5592030
20	4103010	4103020	4103010	4103020	4103010	4103020	4103010	4103020
21	FP00690	FP00690	FP00700	FP00700	FP00690	FP00690	FP00700	FP00700
22	FP01070	FP01070	FP01070	FP01070	FP01070	FP01070	FP01070	FP01070
23	FP00330	FP00340	FP00330	FP00340	FP00350	FP00360	FP00350	FP00360
24	5320760	5320760	5320760	5320760	5320760	5320760	5320760	5320760
25	5310070	5310070	5310070	5310070	5310070	5310070	5310070	5310070
26	FP00081	FP00081	FP00081	FP00081	FP00081	FP00081	FP00081	FP00081
27	FP00031	FP00041	FP00031	FP00041	FP00031	FP00041	FP00031	FP00041
28	5873170	5873170	5873170	5873170	5873170	5873170	5873170	5873170
29	FP00310	FP00310	FP00310	FP00310	FP00310	FP00310	FP00310	FP00310
30	5320080	5320080	5320080	5320080	5320080	5320080	5320080	5320080
31	5320020	5320020	5320020	5320020	5320020	5320020	5320020	5320020
32	5320750	5320750	5320750	5320750	5320750	5320750	5320750	5320750
33	FP08200	FP08200	FP08200	FP08200	FP08200	FP08200	FP08200	FP08200
34	5800430	5800430	5800430	5800430	5800430	5800430	5800430	5800430
35	FP00870	FP00870	FP00880	FP00880	FP00870	FP00870	FP00880	FP00880
36	FP08000	FP08000	FP08010	FP08010	FP08000	FP08000	FP08010	FP08010
37	FP00890	FP00890	FP00890	FP00890	FP00890	FP00890	FP00890	FP00890
38	FP00850	FP00850	FP00860	FP00860	FP00850	FP00850	FP00860	FP00860
39	FP01060	FP01060	FP01060	FP01060	FP01060	FP01060	FP01060	FP01060
40	FP08070	FP08070	FP08070	FP08070	FP08070	FP08070	FP08070	FP08070
41	5300840	5300840	5300840	5300840	5300840	5300840	5300840	5300840
42	FP01120	FP01120	FP01120	FP01120	FP01120	FP01120	FP01120	FP01120
43	FP01130	FP01130	FP01130	FP01130	FP01130	FP01130	FP01130	FP01130
44	FP01140	FP01140	FP01140	FP01140	FP01140	FP01140	FP01140	FP01140
45	FP08040	FP08040	FP08040	FP08040	FP08040	FP08040	FP08040	FP08040
46	5371310	5371310	5371310	5371310	5371310	5371310	5371310	5371310
47	5371290	5371290	5371290	5371290	5371290	5371290	5371290	5371290
48	5371320	5371320	5371320	5371320	5371320	5371320	5371320	5371320
5310370 SONDA TIPO "J" Ø 4 X 155 mm								
FP08210 ESPANSIONE BUZZER								