



**PizzaGroup**



## **PROFESSIONAL Digital and mechanical**

**Manuale di istruzione**

**Notice d'utilisation**

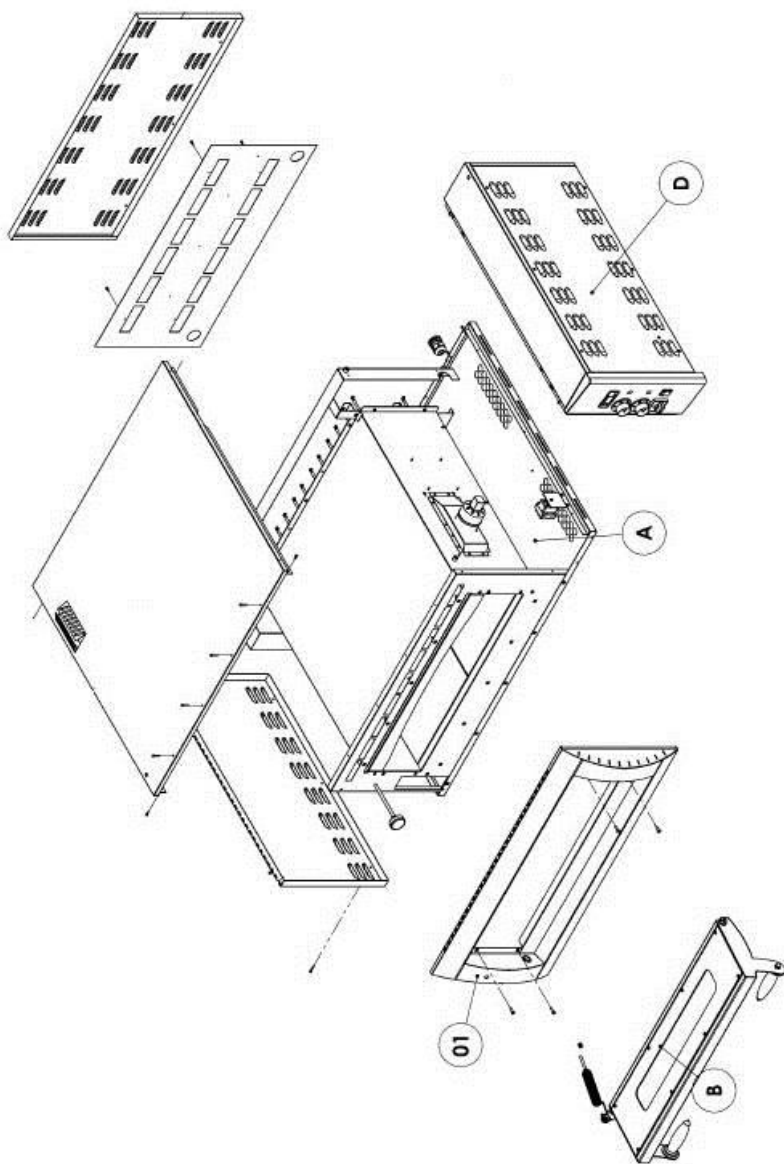
**Instruction manual**

**Руководство по эксплуатации**

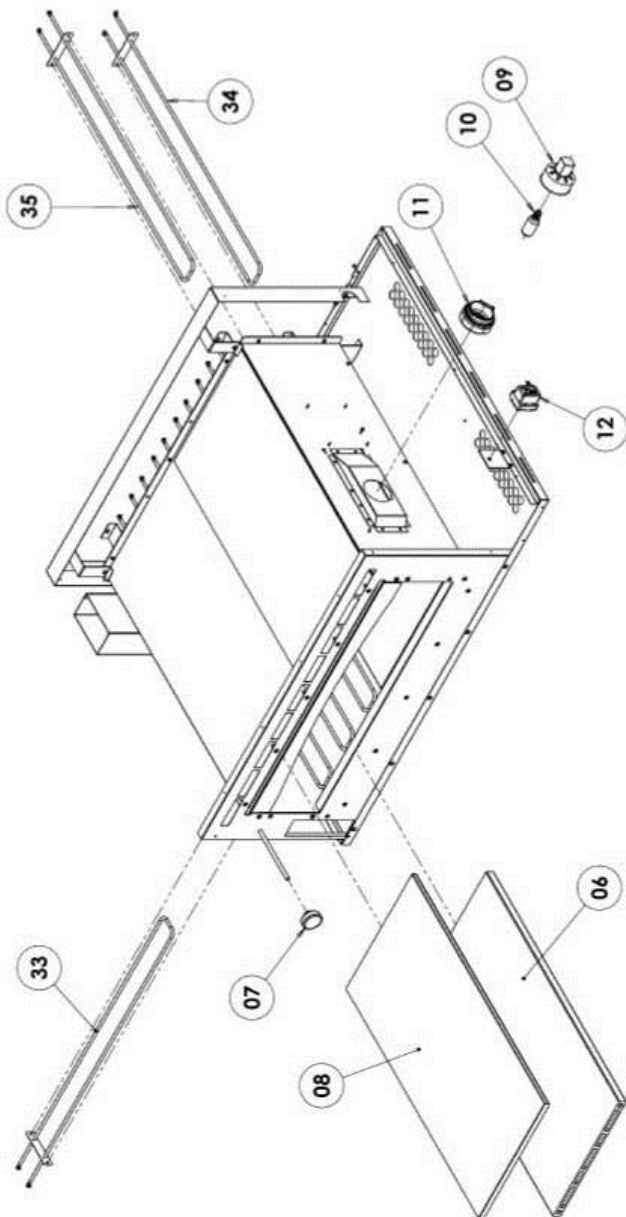
**Manual de instrucciones**

**Gebrauchsanweisungen**

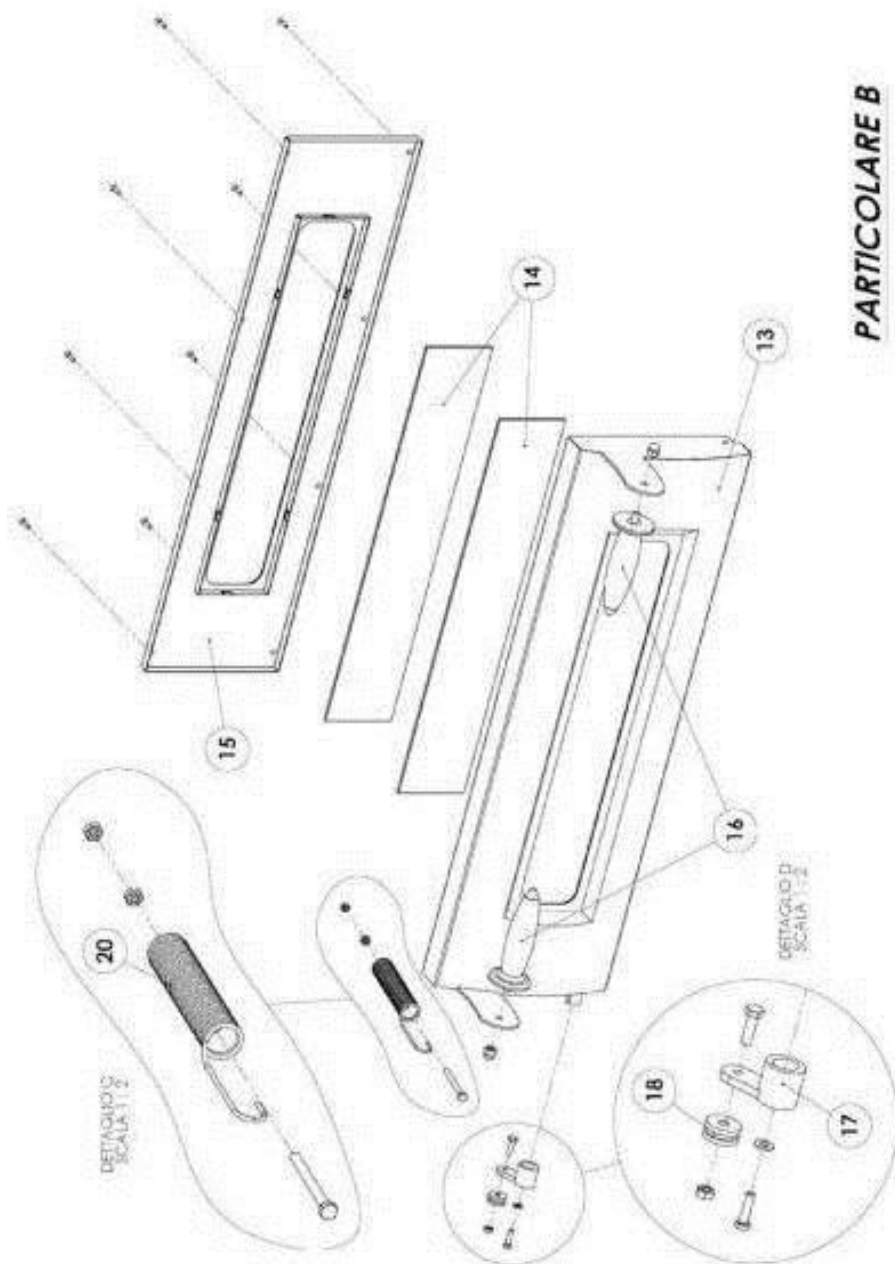
EXPLODED VIEW and SPARE PARTS LIST

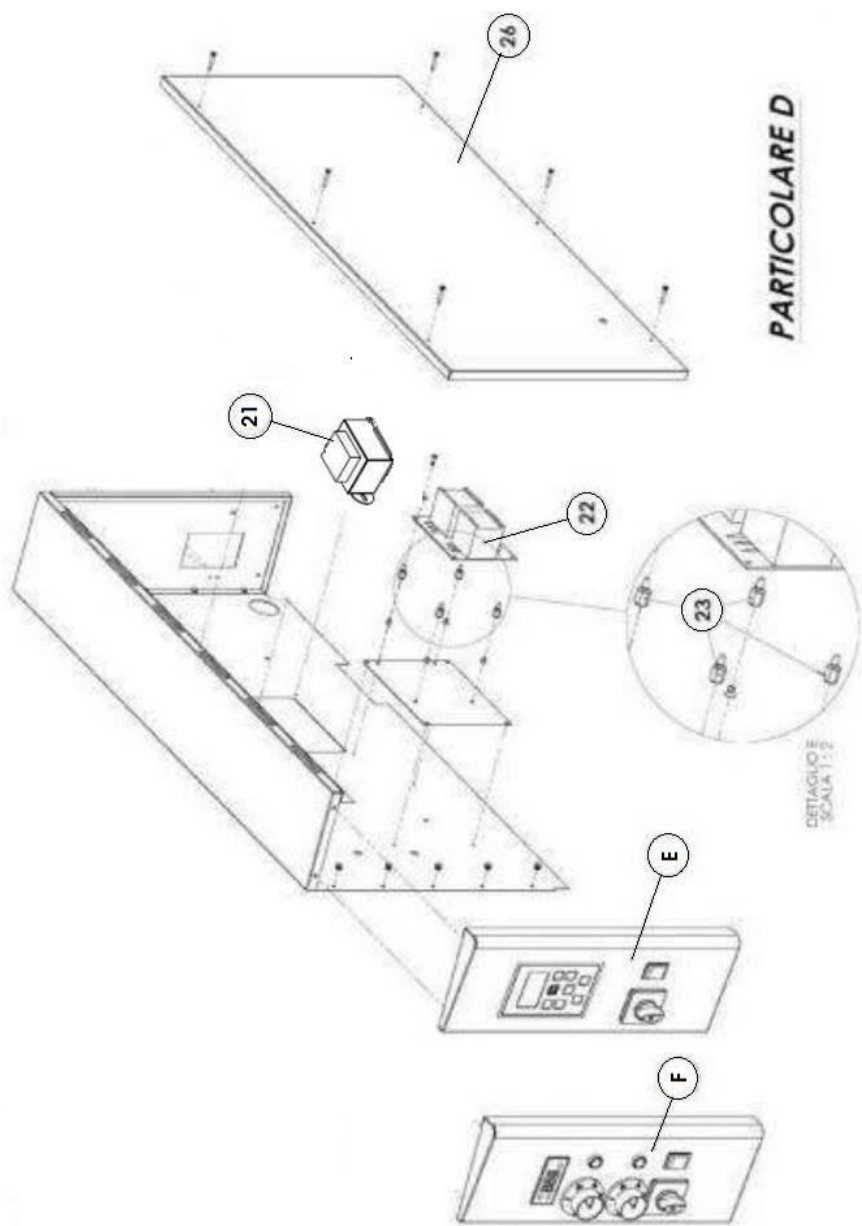


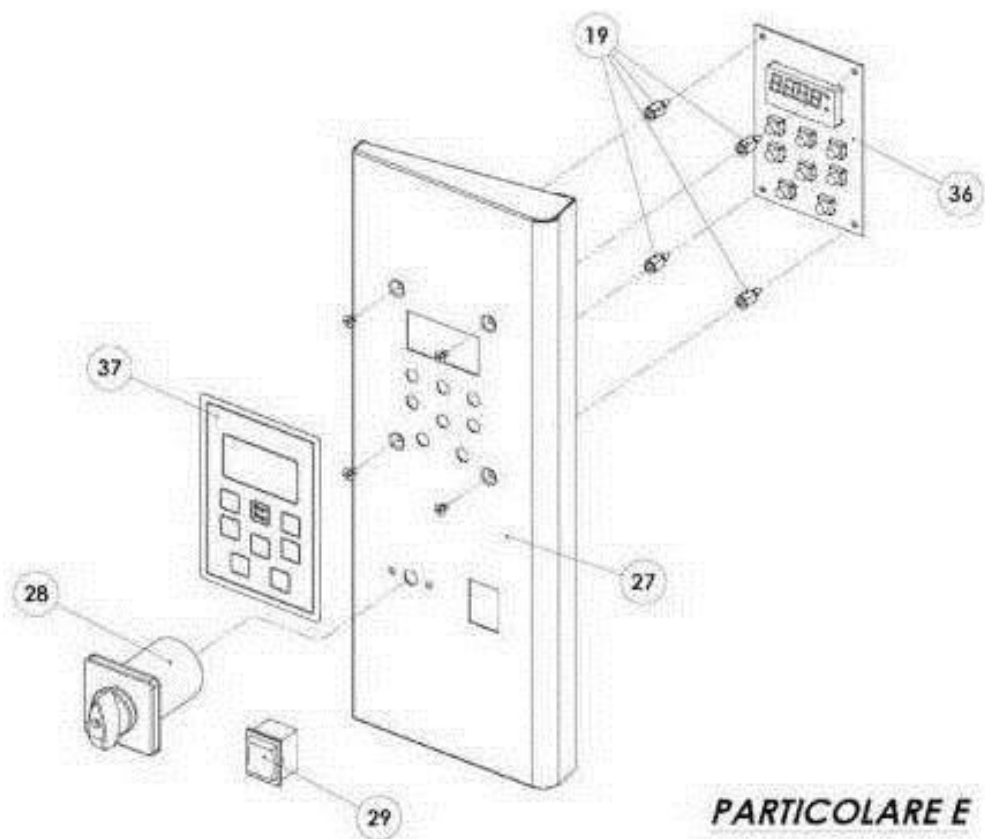
**PARTICOLARE A**



**PARTICOLARE B**

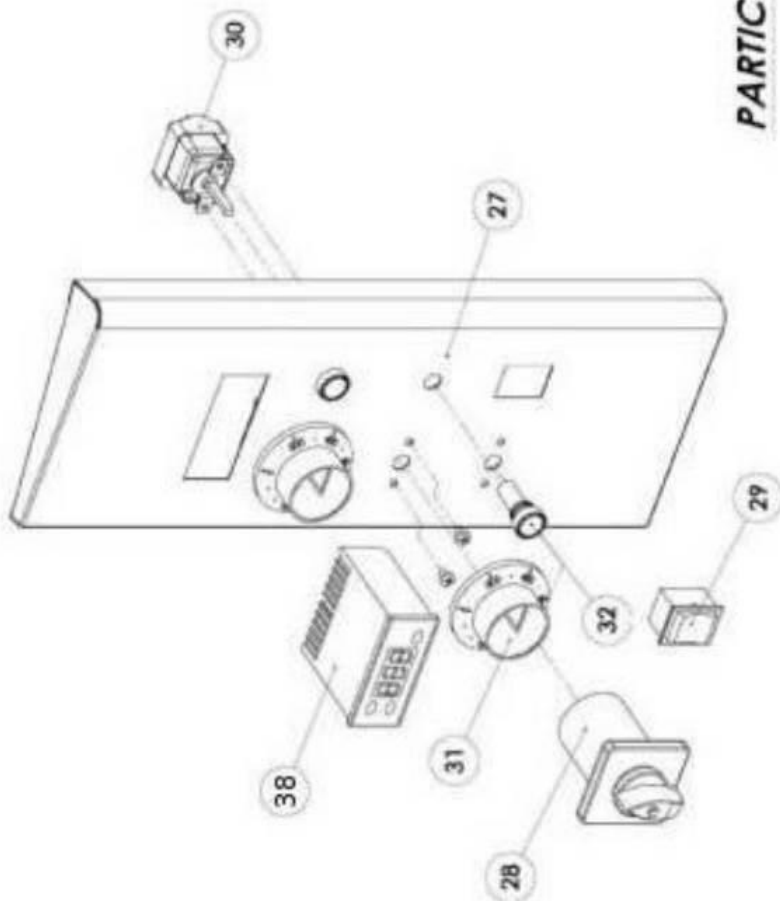






***PARTICOLARE E***

**PARTICOLARE F**



M4\_P08PR10001; MS4\_P08PR11001; D4\_P08PR12001; DS4\_P08PR13001

| Pos. | Code       | Description   |
|------|------------|---|
| 01   | A99FC63001 | FRONT SIDE PROFESSIONAL 4÷6÷8÷12 Release 2009                   |
| 06   | A95FA65003 | PERFORATED REFRACTORY BRICK Mis. 700x350x22 Mod. 4÷6L÷8÷12L     |
| 07   | A90MA65010 | FLUE CLOSING KNOB   |
| 08   | A95OO65008 | BRICK 700x350x14 Mod. 4÷6L÷8÷12L                                |
| 09   | A87IL74006 | DOME-FORM LAMP GLASS 77.222.-503.00                             |
| 10   | A87IL72013 | HALOGEN BULB 12V 20W G4   |
| 11   | A87IL73007 | BULB HOLDER G4 12V 20W BJB 77.912                               |
| 12   | A88TX77004 | UNIPOLAR SAFETY THERMOSTAT 450° C                               |
| 13   | A99PT63001 | DOOR PROFESSIONAL 4÷6÷8÷12 Release 2009                         |
| 14   | A00PT61002 | CERAMIC GLASS SHEET 515x94x4 mm                                 |
| 15   | S66CG63001 | DOOR INTERNAL PANEL ASSEMBLY PROFESSIONAL 4÷6÷8÷12 Release 2009 |
| 16   | S66MG64001 | DOOR HANDLE ASSEMBLY  |
| 17   | S69RT63001 | ROLLING PIVOT   |
| 18   | S74ML63002 | SPRING'S WHELL  |
| 19   | A86PQ42001 | PLASTIC SPACER CF06H4080 18 06                                  |
| 20   | A86ME30012 | DOOR SPRING WITH TIE ROD Ø 19,5 - Ø WIRE=2.8 MM                 |
| 21   | A87IL72012 | TRANSFORMER 40VA 50/60HZ 230V÷12V                               |
| 22   | A88SE81002 | RELÈ CARD   |
| 23   | A86PQ42001 | PLASTIC SPACER CF06H4080 18 06                                  |
| 26   | S40LT63014 | RIGHT SIDE PANEL PROFESSIONAL 4÷6L Release 2009                 |
| 27E  | S65CI63005 | FRONT DIGITAL CONTROL PANEL PROFESSIONAL 4÷6÷6L÷9               |
| 27F  | S65CI63001 | FRONT MECHANICAL CONTROL PANEL PROFESSIONAL 4÷6÷6L÷9            |
| 28   | A87AZ69004 | FOUR-POLE SWITCH 16A  |
| 29   | A87AZ69001 | SWITCH BIPOLAR LIGHTED GREEN 0-1 CV2 230V                       |
| 30   | A88TX77005 | UNIPOLAR thermostat 450° C                                      |
| 31   | S73FN55009 | THERMOSTAT KNOB 0-10  |
| 32   | A87IL72005 | TRANSPARENT PILOT LIGHT 380V                                    |
| 33   | A87RZ65006 | DOOR HEATING ELEMENT 700W 230V                                  |
| 34   | A87RZ65054 | BOTTOM HEATING ELEMENT 400W 230V Mod. 4÷6L÷8÷12L                |
| 35   | A87RZ65006 | UPPER HEATING ELEMENT 700W 230V Mod. 4÷6L÷8÷12L                 |
| 36   | A88CY79002 | TERMO/TIMER ELECTRONIC CONTROL P1-P2 + RTC                      |
| 37   | A93OL65025 | POLYESTER LABEL PROFESSIONAL DIGITAL OVEN                       |
| 38   | A88TC84001 | DIGITAL THERMOMETER   |



M6\_ P08PR10002; MS6\_ P08PR11002; D6\_ P08PR12002; DS6\_ P08PR13002

| Pos. | Code       | Description   |
|------|------------|---|
| 01   | A99FC63001 | FRONT SIDE PROFESSIONAL 4÷6÷8÷12 Release 2009                   |
| 06   | A95FA65004 | PERFORATED REFRACTORY BRICK Mis. 1050x350x22 Mod. 6-9-12-18     |
| 07   | A90MA65010 | FLUE CLOSING KNOB   |
| 08   | A95OO65009 | BRICK 1050x350x14 Mod. 6-9-12-18                                |
| 09   | A87IL74006 | DOME-FORM LAMP GLASS 77.222.-503.00                             |
| 10   | A87IL72013 | HALOGEN BULB 12V 20W G4   |
| 11   | A87IL73007 | BULB HOLDER G4 12V 20W BJB 77.912                               |
| 12   | A88TX77004 | UNIPOLAR SAFETY THERMOSTAT 450° C                               |
| 13   | A99PT63001 | DOOR PROFESSIONAL 4÷6÷8÷12 Release 2009                         |
| 14   | A00PT61002 | CERAMIC GLASS SHEET 515x94x4 mm                                 |
| 15   | S66CG63001 | DOOR INTERNAL PANEL ASSEMBLY PROFESSIONAL 4÷6÷8÷12 Release 2009 |
| 16   | S66MG64001 | DOOR HANDLE ASSEMBLY  |
| 17   | S69RT63001 | ROLLING PIVOT   |
| 18   | S74ML63002 | SPRING'S WHELL  |
| 19   | A86PQ42001 | PLASTIC SPACER CF06H4080 18 06                                  |
| 20   | A86ME30012 | DOOR SPRING WITH TIE ROD Ø 19,5 - Ø WIRE=2.8 MM                 |
| 21   | A87IL72012 | TRANSFORMER 40VA 50/60HZ 230V÷12V                               |
| 22   | A88SE81002 | RELÈ CARD   |
| 23   | A86PQ42001 | PLASTIC SPACER CF06H4080 18 06                                  |
| 26   | S40LT63016 | RIGHT SIDE PANEL PROFESSIONAL 6÷9 Release 2009                  |
| 27E  | S65CI63005 | FRONT DIGITAL CONTROL PANEL PROFESSIONAL 4÷6÷6L÷9               |
| 27F  | S65CI63001 | FRONT MECHANICAL CONTROL PANEL PROFESSIONAL 4÷6÷6L÷9            |
| 28   | A87AZ69004 | FOUR-POLE SWITCH 16A  |
| 29   | A87AZ69001 | SWITCH BIPOLAR LIGHTED GREEN 0-1 CV2 230V                       |
| 30   | A88TX77005 | UNIPOLAR thermostat 450° C                                      |
| 31   | S73FN55009 | THERMOSTAT KNOB 0-10  |
| 32   | A87IL72005 | TRANSPARENT PILOT LIGHT 380V                                    |
| 33   | A87RZ65011 | DOOR HEATING ELEMENT 850W 230V                                  |
| 34   | A87RZ65056 | BOTTOM HEATING ELEMENT 580W 230V Mod. 6÷9÷12÷18                 |
| 35   | A87RZ65066 | UPPER HEATING ELEMENT 1250W 230V Mod. 6÷9÷12÷18                 |
| 36   | A88CY79002 | TERMO/TIMER ELECTRONIC CONTROL P1-P2 + RTC                      |
| 37   | A93OL65025 | POLYESTER LABEL PROFESSIONAL DIGITAL OVEN                       |
| 38   | A88TC84001 | DIGITAL THERMOMETER   |

M6L\_P08PR10003; MS6L\_P08PR11003; D6L\_P08PR12003; DS6L\_P08PR13003

| Pos. | Code       | Description  |
|------|------------|--|
| 01   | A99FC63002 | FRONT SIDE PROFESSIONAL 6L÷9÷12L÷18 Release 2009                   |
| 06   | A95FA65003 | PERFORATED REFRACTORY BRICK Mis. 700x350x22 Mod. 4÷6L÷8÷12L        |
| 07   | A90MA65010 | FLUE CLOSING KNOB  |
| 08   | A95OO65008 | BRICK 700x350x14 Mod. 4÷6L÷8÷12L                                   |
| 09   | A87IL74006 | DOME-FORM LAMP GLASS 77.222.-503.00                                |
| 10   | A87IL72013 | HALOGEN BULB 12V 20W G4  |
| 11   | A87IL73007 | BULB HOLDER G4 12V 20W BJB 77.912                                  |
| 12   | A88TX77004 | UNIPOLAR SAFETY THERMOSTAT 450° C                                  |
| 13   | A99PT63002 | DOOR PROFESSIONAL 6L÷9÷12L÷18 Release 2009                         |
| 14   | A00PT61002 | CERAMIC GLASS SHEET 515x94x4 mm                                    |
| 15   | S66CG63002 | DOOR INTERNAL PANEL ASSEMBLY PROFESSIONAL 6L÷9÷12L÷18 Release 2009 |
| 16   | S66MG64001 | DOOR HANDLE ASSEMBLY   |
| 17   | S69RT63001 | ROLLING PIVOT  |
| 18   | S74ML63002 | SPRING'S WHELL   |
| 19   | A86PQ42001 | PLASTIC SPACER CF06H4080 18 06                                     |
| 20   | A86ME30012 | DOOR SPRING WITH TIE ROD Ø 19,5 - Ø WIRE=2.8 MM                    |
| 21   | A87IL72012 | TRANSFORMER 40VA 50/60HZ 230V÷12V                                  |
| 22   | A88SE81002 | RELÈ CARD  |
| 23   | A86PQ42001 | PLASTIC SPACER CF06H4080 18 06                                     |
| 26   | S40LT63014 | RIGHT SIDE PANEL PROFESSIONAL 4÷6L Release 2009                    |
| 27E  | S65CI63005 | FRONT DIGITAL CONTROL PANEL PROFESSIONAL 4÷6÷6L÷9                  |
| 27F  | S65CI63001 | FRONT MECHANICAL CONTROL PANEL PROFESSIONAL 4÷6÷6L÷9               |
| 28   | A87AZ69004 | FOUR-POLE SWITCH 16A   |
| 29   | A87AZ69001 | SWITCH BIPOLAR LIGHTED GREEN 0-1 CV2 230V                          |
| 30   | A88TX77005 | UNIPOLAR thermostat 450° C   |
| 31   | S73FN55009 | THERMOSTAT KNOB 0-10   |
| 32   | A87IL72005 | TRANSPARENT PILOT LIGHT 380V                                       |
| 33   | A87RZ65008 | DOOR HEATING ELEMENT 1250W 230V                                    |
| 34   | A87RZ65054 | BOTTOM HEATING ELEMENT 400W 230V Mod. 4÷6L÷8÷12L                   |
| 35   | A87RZ65006 | UPPER HEATING ELEMENT 700W 230V Mod. 4÷6L÷8÷12L                    |
| 36   | A88CY79002 | TERMO/TIMER ELECTRONIC CONTROL P1-P2 + RTC                         |
| 37   | A93OL65025 | POLYESTER LABEL PROFESSIONAL DIGITAL OVEN                          |
| 38   | A88TC84001 | DIGITAL THERMOMETER  |

M9\_P08PR10004; MS9\_P08PR11004; D9\_P08PR12004; DS9\_P08PR13004

| Pos. | Code       | Description  |
|------|------------|--|
| 01   | A99FC63002 | FRONT SIDE PROFESSIONAL 6L÷9÷12L÷18 Release 2009                   |
| 06   | A95FA65004 | PERFORATED REFRACTORY BRICK Mis. 1050x350x22 Mod. 6-9-12-18        |
| 07   | A90MA65010 | FLUE CLOSING KNOB  |
| 08   | A95OO65009 | BRICK 1050x350x14 Mod. 6-9-12-18                                   |
| 09   | A87IL74006 | DOME-FORM LAMP GLASS 77.222.-503.00                                |
| 10   | A87IL72013 | HALOGEN BULB 12V 20W G4  |
| 11   | A87IL73007 | BULB HOLDER G4 12V 20W BJB 77.912                                  |
| 12   | A88TX77004 | UNIPOLAR SAFETY THERMOSTAT 450° C                                  |
| 13   | A99PT63002 | DOOR PROFESSIONAL 6L÷9÷12L÷18 Release 2009                         |
| 14   | A00PT61002 | CERAMIC GLASS SHEET 515x94x4 mm                                    |
| 15   | S66CG63002 | DOOR INTERNAL PANEL ASSEMBLY PROFESSIONAL 6L÷9÷12L÷18 Release 2009 |
| 16   | S66MG64001 | DOOR HANDLE ASSEMBLY   |
| 17   | S69RT63001 | ROLLING PIVOT  |
| 18   | S74ML63002 | SPRING'S WHELL   |
| 19   | A86PQ42001 | PLASTIC SPACER CF06H4080 18 06                                     |
| 20   | A86ME30012 | DOOR SPRING WITH TIE ROD Ø 19,5 - Ø WIRE=2.8 MM                    |
| 21   | A87IL72012 | TRANSFORMER 40VA 50/60HZ 230V÷12V                                  |
| 22   | A88SE81002 | RELÈ CARD  |
| 23   | A86PQ42001 | PLASTIC SPACER CF06H4080 18 06                                     |
| 26   | S40LT63016 | RIGHT SIDE PANEL PROFESSIONAL 6÷9 Release 2009                     |
| 27E  | S65CI63005 | FRONT DIGITAL CONTROL PANEL PROFESSIONAL 4÷6÷6L÷9                  |
| 27F  | S65CI63001 | FRONT MECHANICAL CONTROL PANEL PROFESSIONAL 4÷6÷6L÷9               |
| 28   | A87AZ69009 | FOUR-POLE SWITCH 32A   |
|      | A87AZ69011 | PLATE 48X48 GREY/BLACK MAIN SWITCH 32 A                            |
| 29   | A87AZ69001 | SWITCH BIPOLAR LIGHTED GREEN 0-1 CV2 230V                          |
| 30   | A88TX77005 | UNIPOLAR thermostat 450° C   |
| 31   | S73FN55009 | THERMOSTAT KNOB 0-10   |
| 32   | A87IL72005 | TRANSPARENT PILOT LIGHT 380V                                       |
| 33   | A87RZ65008 | DOOR HEATING ELEMENT 1250W 230V                                    |
| 34   | A87RZ65056 | BOTTOM HEATING ELEMENT 580W 230V Mod. 6÷9÷12÷18                    |
| 35   | A87RZ65057 | UPPER HEATING ELEMENT 820W 230V Mod. 6÷9÷12÷18                     |
| 36   | A88CY79002 | TERMO/TIMER ELECTRONIC CONTROL P1-P2 + RTC                         |
| 37   | A93OL65025 | POLYESTER LABEL PROFESSIONAL DIGITAL OVEN                          |
| 38   | A88TC84001 | DIGITAL THERMOMETER  |

M8\_P08PR10005; MS8\_P08PR11005; D8\_P08PR12005; DS8\_P08PR13005

| Pos. | Code       | Description   |
|------|------------|---|
| 01   | A99FC63001 | FRONT SIDE PROFESSIONAL 4÷6÷8÷12 Release 2009                   |
| 06   | A95FA65003 | PERFORATED REFRACTORY BRICK Mis. 700x350x22 Mod. 4÷6L÷8÷12L     |
| 07   | A90MA65010 | FLUE CLOSING KNOB   |
| 08   | A95OO65008 | BRICK 700x350x14 Mod. 4÷6L÷8÷12L                                |
| 09   | A87IL74006 | DOME-FORM LAMP GLASS 77.222.-503.00                             |
| 10   | A87IL72013 | HALOGEN BULB 12V 20W G4   |
| 11   | A87IL73007 | BULB HOLDER G4 12V 20W BJB 77.912                               |
| 12   | A88TX77004 | UNIPOLAR SAFETY THERMOSTAT 450° C                               |
| 13   | A99PT63001 | DOOR PROFESSIONAL 4÷6÷8÷12 Release 2009                         |
| 14   | A00PT61002 | CERAMIC GLASS SHEET 515x94x4 mm                                 |
| 15   | S66CG63001 | DOOR INTERNAL PANEL ASSEMBLY PROFESSIONAL 4÷6÷8÷12 Release 2009 |
| 16   | S66MG64001 | DOOR HANDLE ASSEMBLY  |
| 17   | S69RT63001 | ROLLING PIVOT   |
| 18   | S74ML63002 | SPRING'S WHELL  |
| 19   | A86PQ42001 | PLASTIC SPACER CF06H4080 18 06                                  |
| 20   | A86ME30012 | DOOR SPRING WITH TIE ROD Ø 19,5 - Ø WIRE=2.8 MM                 |
| 21   | A87IL72012 | TRANSFORMER 40VA 50/60HZ 230V÷12V                               |
| 22   | A88SE81002 | RELÈ CARD   |
| 23   | A86PQ42001 | PLASTIC SPACER CF06H4080 18 06                                  |
| 26   | S40LT63018 | RIGHT SIDE PANEL PROFESSIONAL 8÷12L Release 2009                |
| 27E  | S65CI63007 | FRONT DIGITAL CONTROL PANEL PROFESSIONAL 8÷12÷12L÷18            |
| 27F  | S65CI63008 | FRONT MECHANICAL CONTROL PANEL PROFESSIONAL 8÷12÷12L÷18         |
| 28   | A87AZ69004 | FOUR-POLE SWITCH 16A  |
| 29   | A87AZ69001 | SWITCH BIPOLAR LIGHTED GREEN 0-1 CV2 230V                       |
| 30   | A88TX77005 | UNIPOLAR thermostat 450° C                                      |
| 31   | S73FN55009 | THERMOSTAT KNOB 0-10  |
| 32   | A87IL72005 | TRANSPARENT PILOT LIGHT 380V                                    |
| 33   | A87RZ65006 | DOOR HEATING ELEMENT 700W 230V                                  |
| 34   | A87RZ65054 | BOTTOM HEATING ELEMENT 400W 230V Mod. 4÷6L÷8÷12L                |
| 35   | A87RZ65006 | UPPER HEATING ELEMENT 700W 230V Mod. 4÷6L÷8÷12L                 |
| 36   | A88CY79002 | TERMO/TIMER ELECTRONIC CONTROL P1-P2 + RTC                      |
| 37   | A93OL65025 | POLYESTER LABEL PROFESSIONAL DIGITAL OVEN                       |
| 38   | A88TC84001 | DIGITAL THERMOMETER   |

M12\_P08PR10006; MS12\_P08PR11006; D12\_P08PR12006; DS12\_P08PR13006

| Pos. | Code       | Description   |
|------|------------|---|
| 01   | A99FC63001 | FRONT SIDE PROFESSIONAL 4÷6÷8÷12 Release 2009                   |
| 06   | A95FA65004 | PERFORATED REFRACTORY BRICK Mis. 1050x350x22 Mod. 6-9-12-18     |
| 07   | A90MA65010 | FLUE CLOSING KNOB   |
| 08   | A95OO65009 | BRICK 1050x350x14 Mod. 6-9-12-18                                |
| 09   | A87IL74006 | DOME-FORM LAMP GLASS 77.222.-503.00                             |
| 10   | A87IL72013 | HALOGEN BULB 12V 20W G4   |
| 11   | A87IL73007 | BULB HOLDER G4 12V 20W BJB 77.912                               |
| 12   | A88TX77004 | UNIPOLAR SAFETY THERMOSTAT 450° C                               |
| 13   | A99PT63001 | DOOR PROFESSIONAL 4÷6÷8÷12 Release 2009                         |
| 14   | A00PT61002 | CERAMIC GLASS SHEET 515x94x4 mm                                 |
| 15   | S66CG63001 | DOOR INTERNAL PANEL ASSEMBLY PROFESSIONAL 4÷6÷8÷12 Release 2009 |
| 16   | S66MG64001 | DOOR HANDLE ASSEMBLY  |
| 17   | S69RT63001 | ROLLING PIVOT   |
| 18   | S74ML63002 | SPRING'S WHELL  |
| 19   | A86PQ42001 | PLASTIC SPACER CF06H4080 18 06                                  |
| 20   | A86ME30012 | DOOR SPRING WITH TIE ROD Ø 19,5 - Ø WIRE=2.8 MM                 |
| 21   | A87IL72012 | TRANSFORMER 40VA 50/60HZ 230V÷12V                               |
| 22   | A88SE81002 | RELÈ CARD   |
| 23   | A86PQ42001 | PLASTIC SPACER CF06H4080 18 06                                  |
| 26   | S40IN63015 | RIGHT SIDE PANEL PROFESSIONAL 12÷18 Release 2009                |
| 27E  | S65CI63007 | FRONT DIGITAL CONTROL PANEL PROFESSIONAL 8÷12÷12L÷18            |
| 27F  | S65CI63008 | FRONT MECHANICAL CONTROL PANEL PROFESSIONAL 8÷12÷12L÷18         |
| 28   | A87AZ69004 | FOUR-POLE SWITCH 16A  |
| 29   | A87AZ69001 | SWITCH BIPOLAR LIGHTED GREEN 0-1 CV2 230V                       |
| 30   | A88TX77005 | UNIPOLAR thermostat 450° C                                      |
| 31   | S73FN55009 | THERMOSTAT KNOB 0-10  |
| 32   | A87IL72005 | TRANSPARENT PILOT LIGHT 380V                                    |
| 33   | A87RZ65011 | DOOR HEATING ELEMENT 850W 230V                                  |
| 34   | A87RZ65056 | BOTTOM HEATING ELEMENT 580W 230V Mod. 6÷9÷12÷18                 |
| 35   | A87RZ65066 | UPPER HEATING ELEMENT 1250W 230V Mod. 6÷9÷12÷18                 |
| 36   | A88CY79002 | TERMO/TIMER ELECTRONIC CONTROL P1-P2 + RTC                      |
| 37   | A93OL65025 | POLYESTER LABEL PROFESSIONAL DIGITAL OVEN                       |
| 38   | A88TC84001 | DIGITAL THERMOMETER   |

M12L\_P08PR10007; MS12L\_P08PR11007; D12L\_P08PR12007; DS12L\_P08PR13007

| Pos. | Code       | Description  |
|------|------------|--|
| 01   | A99FC63002 | FRONT SIDE PROFESSIONAL 6L÷9÷12L÷18 Release 2009                   |
| 06   | A95FA65003 | PERFORATED REFRACTORY BRICK Mis. 700x350x22 Mod. 4÷6L÷8÷12L        |
| 07   | A90MA65010 | FLUE CLOSING KNOB  |
| 08   | A95OO65008 | BRICK 700x350x14 Mod. 4÷6L÷8÷12L                                   |
| 09   | A87IL74006 | DOME-FORM LAMP GLASS 77.222.-503.00                                |
| 10   | A87IL72013 | HALOGEN BULB 12V 20W G4  |
| 11   | A87IL73007 | BULB HOLDER G4 12V 20W BJB 77.912                                  |
| 12   | A88TX77004 | UNIPOLAR SAFETY THERMOSTAT 450° C                                  |
| 13   | A99PT63002 | DOOR PROFESSIONAL 6L÷9÷12L÷18 Release 2009                         |
| 14   | A00PT61002 | CERAMIC GLASS SHEET 515x94x4 mm                                    |
| 15   | S66CG63002 | DOOR INTERNAL PANEL ASSEMBLY PROFESSIONAL 6L÷9÷12L÷18 Release 2009 |
| 16   | S66MG64001 | DOOR HANDLE ASSEMBLY   |
| 17   | S69RT63001 | ROLLING PIVOT  |
| 18   | S74ML63002 | SPRING'S WHELL   |
| 19   | A86PQ42001 | PLASTIC SPACER CF06H4080 18 06                                     |
| 20   | A86ME30012 | DOOR SPRING WITH TIE ROD Ø 19,5 - Ø WIRE=2.8 MM                    |
| 21   | A87IL72012 | TRANSFORMER 40VA 50/60HZ 230V÷12V                                  |
| 22   | A88SE81002 | RELÈ CARD  |
| 23   | A86PQ42001 | PLASTIC SPACER CF06H4080 18 06                                     |
| 26   | S40LT63018 | RIGHT SIDE PANEL PROFESSIONAL 8÷12L Release 2009                   |
| 27E  | S65CI63007 | FRONT DIGITAL CONTROL PANEL PROFESSIONAL 8÷12÷12L÷18               |
| 27F  | S65CI63008 | FRONT MECHANICAL CONTROL PANEL PROFESSIONAL 8÷12÷12L÷18            |
| 28   | A87AZ69004 | FOUR-POLE SWITCH 16A   |
| 29   | A87AZ69001 | SWITCH BIPOLAR LIGHTED GREEN 0-1 CV2 230V                          |
| 30   | A88TX77005 | UNIPOLAR thermostat 450° C   |
| 31   | S73FN55009 | THERMOSTAT KNOB 0-10   |
| 32   | A87IL72005 | TRANSPARENT PILOT LIGHT 380V                                       |
| 33   | A87RZ65008 | DOOR HEATING ELEMENT 1250W 230V                                    |
| 34   | A87RZ65054 | BOTTOM HEATING ELEMENT 400W 230V Mod. 4÷6L÷8÷12L                   |
| 35   | A87RZ65006 | UPPER HEATING ELEMENT 700W 230V Mod. 4÷6L÷8÷12L                    |
| 36   | A88CY79002 | TERMO/TIMER ELECTRONIC CONTROL P1-P2 + RTC                         |
| 37   | A93OL65025 | POLYESTER LABEL PROFESSIONAL DIGITAL OVEN                          |
| 38   | A88TC84001 | DIGITAL THERMOMETER  |

M18\_P08PR10008; MS18\_P08PR11008; D18\_P08PR12008; DS18\_P08PR13008

| Pos. | Code       | Description  |
|------|------------|--|
| 01   | A99FC63002 | FRONT SIDE PROFESSIONAL 6L÷9÷12L÷18 Release 2009                   |
| 06   | A95FA65004 | PERFORATED REFRACTORY BRICK Mis. 1050x350x22 Mod. 6-9-12-18        |
| 07   | A90MA65010 | FLUE CLOSING KNOB  |
| 08   | A95OO65009 | BRICK 1050x350x14 Mod. 6-9-12-18                                   |
| 09   | A87IL74006 | DOME-FORM LAMP GLASS 77.222.-503.00                                |
| 10   | A87IL72013 | HALOGEN BULB 12V 20W G4  |
| 11   | A87IL73007 | BULB HOLDER G4 12V 20W BJB 77.912                                  |
| 12   | A88TX77004 | UNIPOLAR SAFETY THERMOSTAT 450° C                                  |
| 13   | A99PT63002 | DOOR PROFESSIONAL 6L÷9÷12L÷18 Release 2009                         |
| 14   | A00PT61002 | CERAMIC GLASS SHEET 515x94x4 mm                                    |
| 15   | S66CG63002 | DOOR INTERNAL PANEL ASSEMBLY PROFESSIONAL 6L÷9÷12L÷18 Release 2009 |
| 16   | S66MG64001 | DOOR HANDLE ASSEMBLY   |
| 17   | S69RT63001 | ROLLING PIVOT  |
| 18   | S74ML63002 | SPRING'S WHELL   |
| 19   | A86PQ42001 | PLASTIC SPACER CF06H4080 18 06                                     |
| 20   | A86ME30012 | DOOR SPRING WITH TIE ROD Ø 19,5 - Ø WIRE=2.8 MM                    |
| 21   | A87IL72012 | TRANSFORMER 40VA 50/60HZ 230V÷12V                                  |
| 22   | A88SE81002 | RELÈ CARD  |
| 23   | A86PQ42001 | PLASTIC SPACER CF06H4080 18 06                                     |
| 26   | S40IN63015 | RIGHT SIDE PANEL PROFESSIONAL 12÷18 Release 2009                   |
| 27E  | S65CI63007 | FRONT DIGITAL CONTROL PANEL PROFESSIONAL 8÷12÷12L÷18               |
| 27F  | S65CI63008 | FRONT MECHANICAL CONTROL PANEL PROFESSIONAL 8÷12÷12L÷18            |
| 28   | A87AZ69009 | FOUR-POLE SWITCH 32A   |
|      | A87AZ69011 | PLATE 48X48 GREY/BLACK MAIN SWITCH 32 A                            |
| 29   | A87AZ69001 | SWITCH BIPOLAR LIGHTED GREEN 0-1 CV2 230V                          |
| 30   | A88TX77005 | UNIPOLAR thermostat 450° C   |
| 31   | S73FN55009 | THERMOSTAT KNOB 0-10   |
| 32   | A87IL72005 | TRANSPARENT PILOT LIGHT 380V                                       |
| 33   | A87RZ65008 | DOOR HEATING ELEMENT 1250W 230V                                    |
| 34   | A87RZ65056 | BOTTOM HEATING ELEMENT 580W 230V Mod. 6÷9÷12÷18                    |
| 35   | A87RZ65057 | UPPER HEATING ELEMENT 820W 230V Mod. 6÷9÷12÷18                     |
| 36   | A88CY79002 | TERMO/TIMER ELECTRONIC CONTROL P1-P2 + RTC                         |
| 37   | A93OL65025 | POLYESTER LABEL PROFESSIONAL DIGITAL OVEN                          |
| 38   | A88TC84001 | DIGITAL THERMOMETER  |

## TECHNICAL DATA

| Model              | Weight (Kg) | Width (mm) | Depth (mm) | Height (mm) | Power consumption (W) | Type of Voltage | Supply Voltage (V) | Maximal Temperature Set (°C) |
|--------------------|-------------|------------|------------|-------------|-----------------------|-----------------|--------------------|------------------------------|
| PROFESSIONAL D4    | 115         | 1060       | 1020       | 400         | 7.300                 | 3Ph+N+T         | 400                | 450°                         |
| PROFESSIONAL DS4   | 129         | 1060       | 1020       | 400         | 6.600                 | 3Ph+N+T         | 400                | 450°                         |
| PROFESSIONAL D6    | 143         | 1060       | 1370       | 400         | 11.800                | 3Ph+N+T         | 400                | 450°                         |
| PROFESSIONAL DS6   | 159         | 1060       | 1370       | 400         | 10.980                | 3Ph+N+T         | 400                | 450°                         |
| PROFESSIONAL D6L   | 153         | 1410       | 1020       | 400         | 11.150                | 3Ph+N+T         | 400                | 450°                         |
| PROFESSIONAL DS6L  | 170         | 1410       | 1020       | 400         | 9.900                 | 3Ph+N+T         | 400                | 450°                         |
| PROFESSIONAL D9    | 167         | 1410       | 1370       | 400         | 13.850                | 3Ph+N+T         | 400                | 450°                         |
| PROFESSIONAL DS9   | 195         | 1410       | 1370       | 400         | 12.600                | 3Ph+N+T         | 400                | 450°                         |
| PROFESSIONAL D8    | 166         | 1060       | 1020       | 800         | 14.600                | 3Ph+N+T         | 400                | 450°                         |
| PROFESSIONAL DS8   | 194         | 1060       | 1020       | 800         | 13.200                | 3Ph+N+T         | 400                | 450°                         |
| PROFESSIONAL D12   | 217         | 1060       | 1370       | 800         | 23.600                | 3Ph+N+T         | 400                | 450°                         |
| PROFESSIONAL DS12  | 257         | 1060       | 1370       | 800         | 21.960                | 3Ph+N+T         | 400                | 450°                         |
| PROFESSIONAL D12L  | 228         | 1410       | 1020       | 800         | 22.300                | 3Ph+N+T         | 400                | 450°                         |
| PROFESSIONAL DS12L | 267         | 1410       | 1020       | 800         | 19.800                | 3Ph+N+T         | 400                | 450°                         |
| PROFESSIONAL D18   | 291         | 1410       | 1370       | 800         | 27.700                | 3Ph+N+T         | 400                | 450°                         |
| PROFESSIONAL DS18  | 351         | 1410       | 1370       | 800         | 25.200                | 3Ph+N+T         | 400                | 450°                         |



| Model              | Weight (Kg) | Width (mm) | Depth (mm) | Height (mm) | Power consumption (W) | Type of Voltage | Supply Voltage (v) | Maximal Temperature Set (°C) |
|--------------------|-------------|------------|------------|-------------|-----------------------|-----------------|--------------------|------------------------------|
| PROFESSIONAL M4    | 115         | 1060       | 1020       | 400         | 7.300                 | 3Ph+N+T         | 400                | 450°                         |
| PROFESSIONAL MS4   | 129         | 1060       | 1020       | 400         | 6.600                 | 3Ph+N+T         | 400                | 450°                         |
| PROFESSIONAL M6    | 143         | 1060       | 1370       | 400         | 11.800                | 3Ph+N+T         | 400                | 450°                         |
| PROFESSIONAL MS6   | 159         | 1060       | 1370       | 400         | 10.980                | 3Ph+N+T         | 400                | 450°                         |
| PROFESSIONAL M6L   | 153         | 1410       | 1020       | 400         | 11.150                | 3Ph+N+T         | 400                | 450°                         |
| PROFESSIONAL MS6L  | 170         | 1410       | 1020       | 400         | 9.900                 | 3Ph+N+T         | 400                | 450°                         |
| PROFESSIONAL M9    | 167         | 1410       | 1370       | 400         | 13.850                | 3Ph+N+T         | 400                | 450°                         |
| PROFESSIONAL MS9   | 195         | 1410       | 1370       | 400         | 12.600                | 3Ph+N+T         | 400                | 450°                         |
| PROFESSIONAL M8    | 166         | 1060       | 1020       | 800         | 14.600                | 3Ph+N+T         | 400                | 450°                         |
| PROFESSIONAL MS8   | 194         | 1060       | 1020       | 800         | 13.200                | 3Ph+N+T         | 400                | 450°                         |
| PROFESSIONAL M12   | 217         | 1060       | 1370       | 800         | 23.600                | 3Ph+N+T         | 400                | 450°                         |
| PROFESSIONAL MS12  | 257         | 1060       | 1370       | 800         | 21.960                | 3Ph+N+T         | 400                | 450°                         |
| PROFESSIONAL M12L  | 228         | 1410       | 1020       | 800         | 22.300                | 3Ph+N+T         | 400                | 450°                         |
| PROFESSIONAL MS12L | 267         | 1410       | 1020       | 800         | 19.800                | 3Ph+N+T         | 400                | 450°                         |
| PROFESSIONAL M18   | 291         | 1410       | 1370       | 800         | 27.700                | 3Ph+N+T         | 400                | 450°                         |
| PROFESSIONAL MS18  | 351         | 1410       | 1370       | 800         | 25.200                | 3Ph+N+T         | 400                | 450°                         |

