



PizzaGroup



PROFESSIONAL Digital and mechanical

Manuale di istruzione

Notice d'utilisation

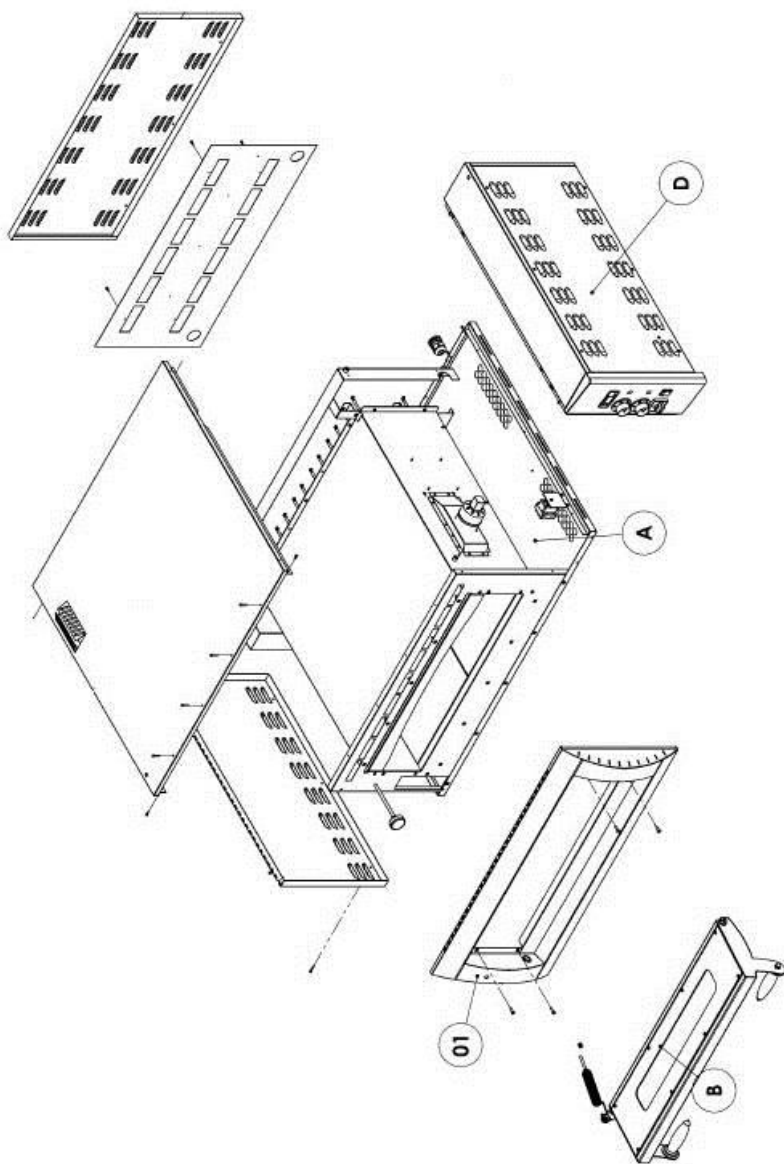
Instruction manual

Руководство по эксплуатации

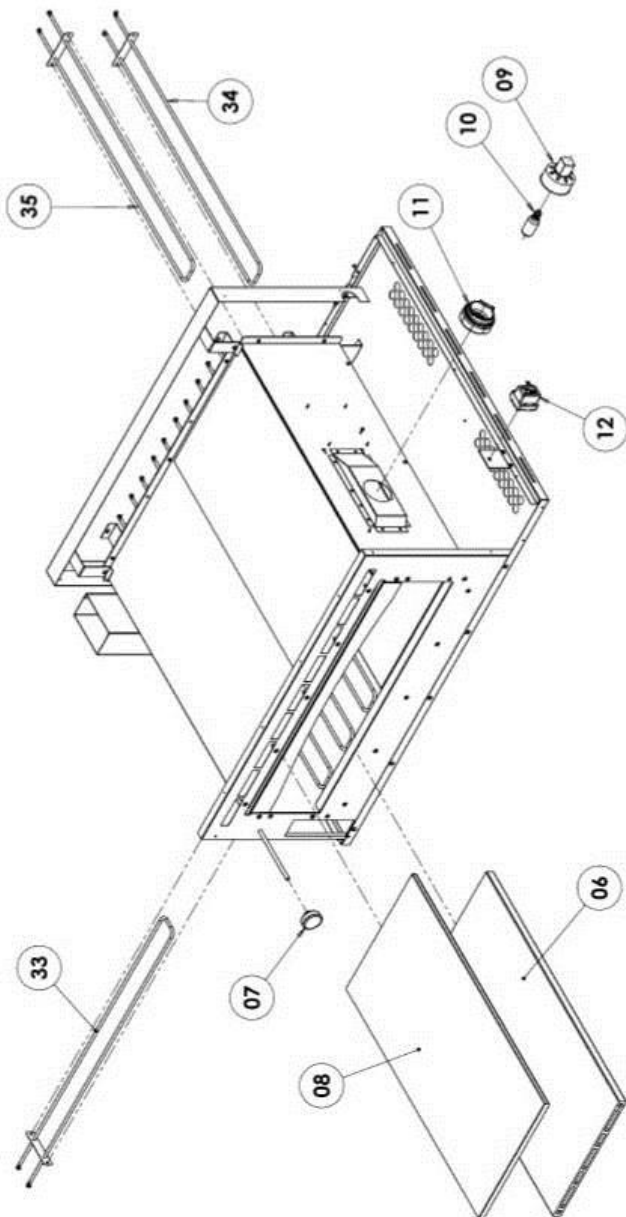
Manual de instrucciones

Gebrauchsanweisungen

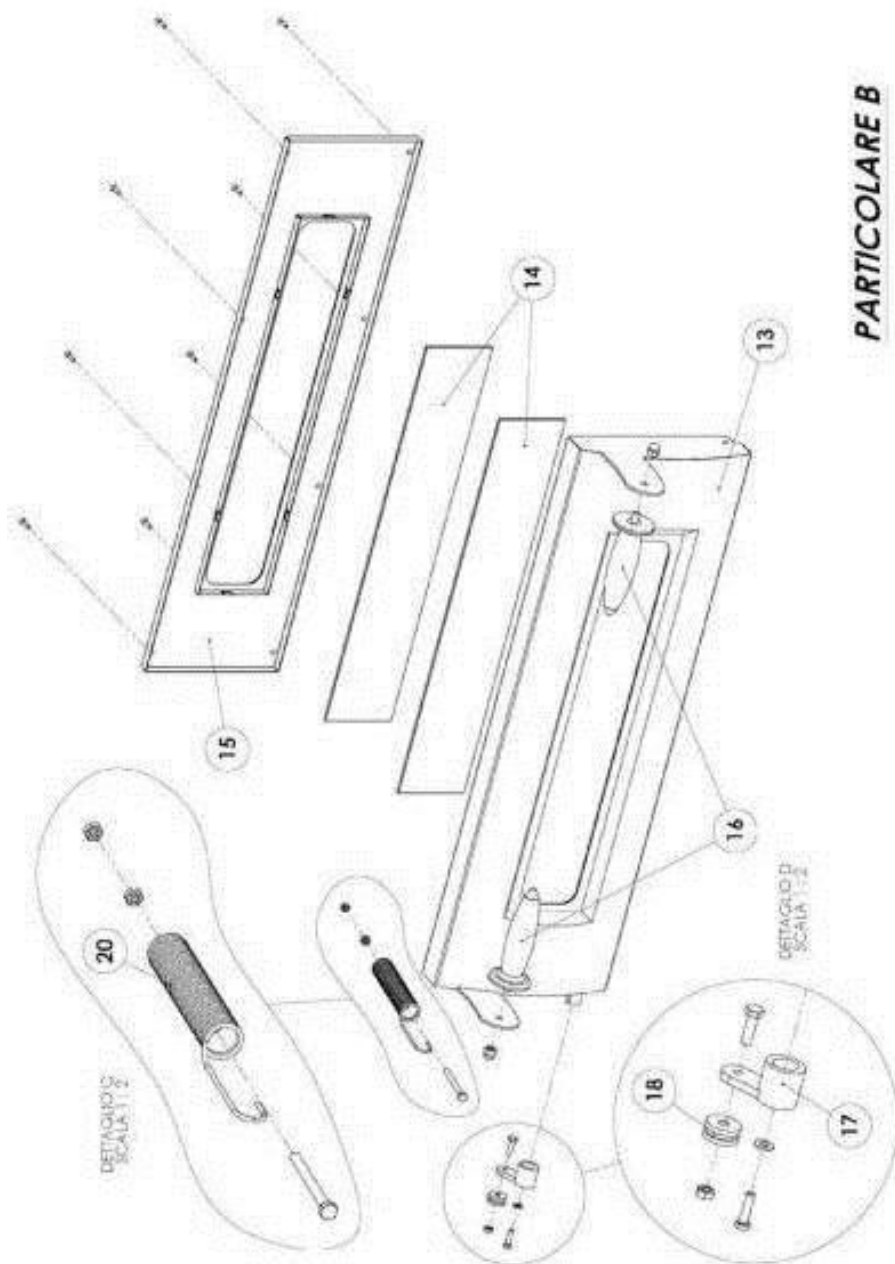
EXPLODED VIEW and SPARE PARTS LIST

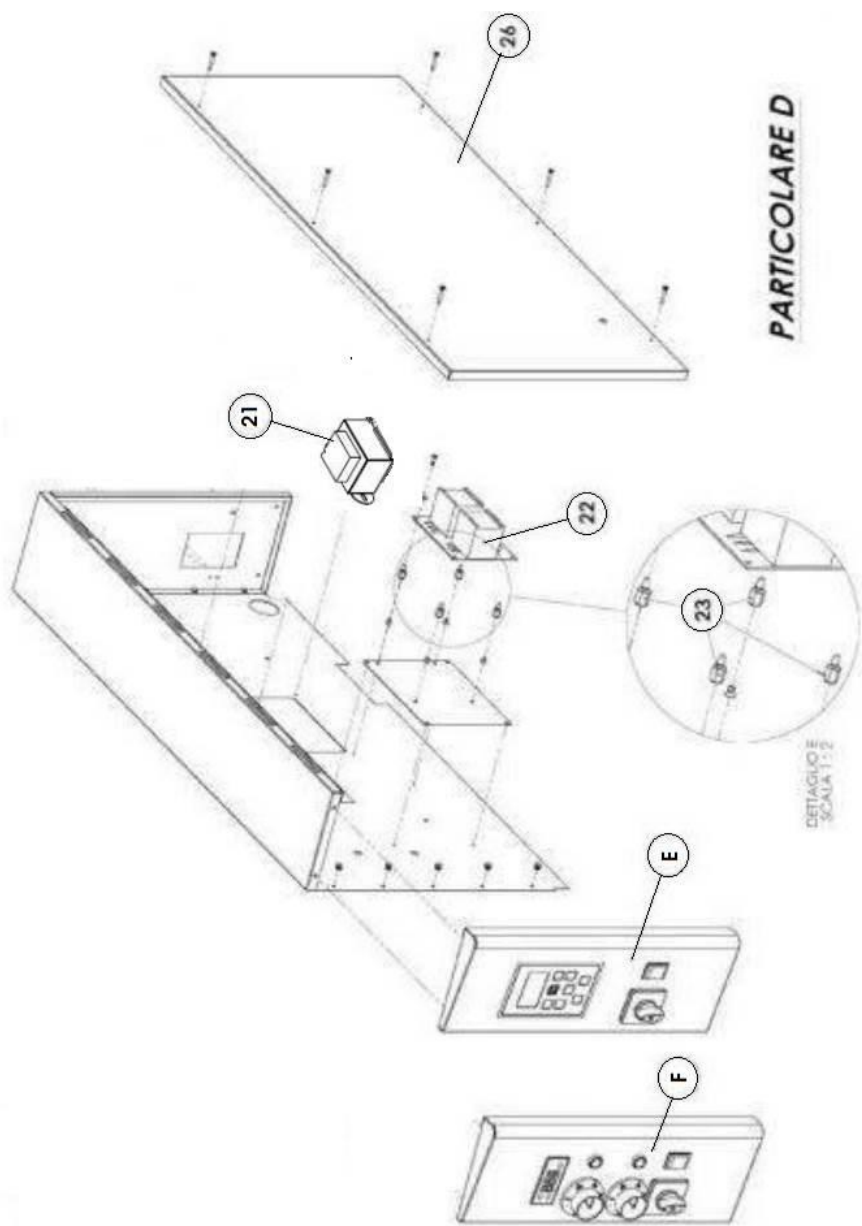


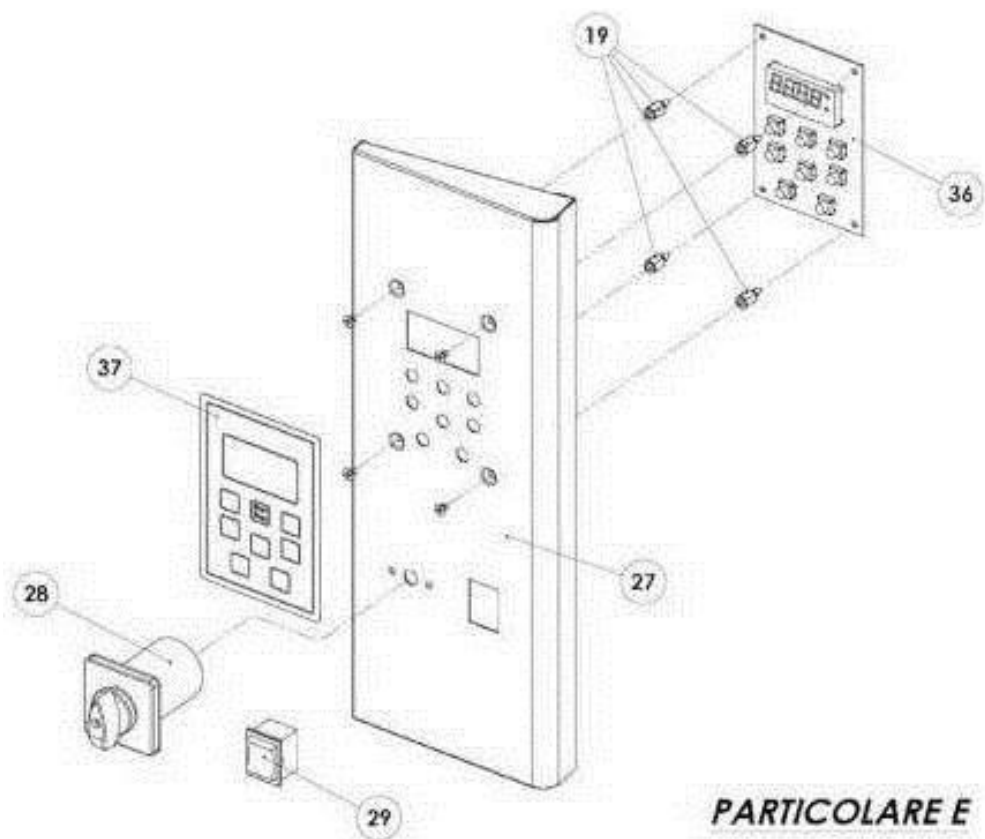
PARTICOLARE A



PARTICOLARE B

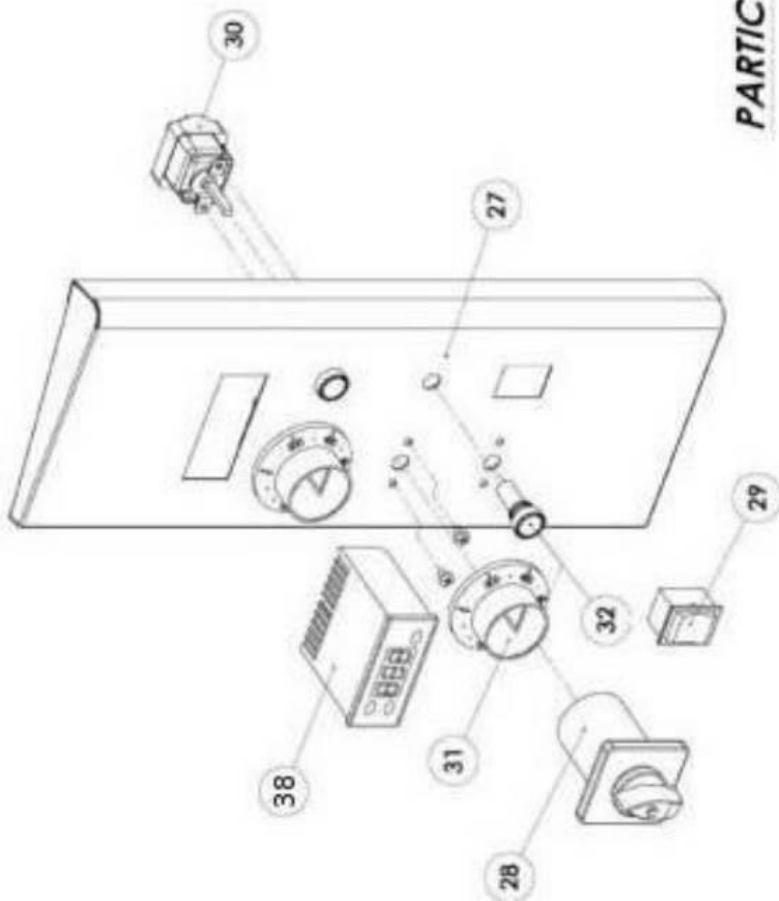






PARTICOLARE E

PARTICOLARE F



M4_P08PR10001; MS4_P08PR11001; D4_P08PR12001; DS4_P08PR13001

Pos.	Code	Description
01	A99FC63001	FRONT SIDE PROFESSIONAL 4÷6÷8÷12 Release 2009
06	A95FA65003	PERFORATED REFRACTORY BRICK Mis. 700x350x22 Mod. 4÷6L÷8÷12L
07	A90MA65010	FLUE CLOSING KNOB
08	A95OO65008	BRICK 700x350x14 Mod. 4÷6L÷8÷12L
09	A87IL74006	DOME-FORM LAMP GLASS 77.222.-503.00
10	A87IL72013	HALOGEN BULB 12V 20W G4
11	A87IL73007	BULB HOLDER G4 12V 20W BJB 77.912
12	A88TX77004	UNIPOLAR SAFETY THERMOSTAT 450° C
13	A99PT63001	DOOR PROFESSIONAL 4÷6÷8÷12 Release 2009
14	A00PT61002	CERAMIC GLASS SHEET 515x94x4 mm
15	S66CG63001	DOOR INTERNAL PANEL ASSEMBLY PROFESSIONAL 4÷6÷8÷12 Release 2009
16	S66MG64001	DOOR HANDLE ASSEMBLY
17	S69RT63001	ROLLING PIVOT
18	S74ML63002	SPRING'S WHELL
19	A86PQ42001	PLASTIC SPACER CF06H4080 18 06
20	A86ME30012	DOOR SPRING WITH TIE ROD Ø 19,5 - Ø WIRE=2.8 MM
21	A87IL72012	TRANSFORMER 40VA 50/60HZ 230V÷12V
22	A88SE81002	RELÈ CARD
23	A86PQ42001	PLASTIC SPACER CF06H4080 18 06
26	S40LT63014	RIGHT SIDE PANEL PROFESSIONAL 4÷6L Release 2009
27E	S65CI63005	FRONT DIGITAL CONTROL PANEL PROFESSIONAL 4÷6÷6L÷9
27F	S65CI63001	FRONT MECHANICAL CONTROL PANEL PROFESSIONAL 4÷6÷6L÷9
28	A87AZ69004	FOUR-POLE SWITCH 16A
29	A87AZ69001	SWITCH BIPOLAR LIGHTED GREEN 0-1 CV2 230V
30	A88TX77005	UNIPOLAR thermostat 450° C
31	S73FN55009	THERMOSTAT KNOB 0-10
32	A87IL72005	TRANSPARENT PILOT LIGHT 380V
33	A87RZ65006	DOOR HEATING ELEMENT 700W 230V
34	A87RZ65054	BOTTOM HEATING ELEMENT 400W 230V Mod. 4÷6L÷8÷12L
35	A87RZ65006	UPPER HEATING ELEMENT 700W 230V Mod. 4÷6L÷8÷12L
36	A88CY79002	TERMO/TIMER ELECTRONIC CONTROL P1-P2 + RTC
37	A93OL65025	POLYESTER LABEL PROFESSIONAL DIGITAL OVEN
38	A88TC84001	DIGITAL THERMOMETER

M6_ P08PR10002; MS6_ P08PR11002; D6_ P08PR12002; DS6_ P08PR13002

Pos.	Code	Description
01	A99FC63001	FRONT SIDE PROFESSIONAL 4÷6÷8÷12 Release 2009
06	A95FA65004	PERFORATED REFRACTORY BRICK Mis. 1050x350x22 Mod. 6-9-12-18
07	A90MA65010	FLUE CLOSING KNOB
08	A95OO65009	BRICK 1050x350x14 Mod. 6-9-12-18
09	A87IL74006	DOME-FORM LAMP GLASS 77.222.-503.00
10	A87IL72013	HALOGEN BULB 12V 20W G4
11	A87IL73007	BULB HOLDER G4 12V 20W BJB 77.912
12	A88TX77004	UNIPOLAR SAFETY THERMOSTAT 450° C
13	A99PT63001	DOOR PROFESSIONAL 4÷6÷8÷12 Release 2009
14	A00PT61002	CERAMIC GLASS SHEET 515x94x4 mm
15	S66CG63001	DOOR INTERNAL PANEL ASSEMBLY PROFESSIONAL 4÷6÷8÷12 Release 2009
16	S66MG64001	DOOR HANDLE ASSEMBLY
17	S69RT63001	ROLLING PIVOT
18	S74ML63002	SPRING'S WHELL
19	A86PQ42001	PLASTIC SPACER CF06H4080 18 06
20	A86ME30012	DOOR SPRING WITH TIE ROD Ø 19,5 - Ø WIRE=2.8 MM
21	A87IL72012	TRANSFORMER 40VA 50/60HZ 230V÷12V
22	A88SE81002	RELÈ CARD
23	A86PQ42001	PLASTIC SPACER CF06H4080 18 06
26	S40LT63016	RIGHT SIDE PANEL PROFESSIONAL 6÷9 Release 2009
27E	S65CI63005	FRONT DIGITAL CONTROL PANEL PROFESSIONAL 4÷6÷6L÷9
27F	S65CI63001	FRONT MECHANICAL CONTROL PANEL PROFESSIONAL 4÷6÷6L÷9
28	A87AZ69004	FOUR-POLE SWITCH 16A
29	A87AZ69001	SWITCH BIPOLAR LIGHTED GREEN 0-1 CV2 230V
30	A88TX77005	UNIPOLAR thermostat 450° C
31	S73FN55009	THERMOSTAT KNOB 0-10
32	A87IL72005	TRANSPARENT PILOT LIGHT 380V
33	A87RZ65011	DOOR HEATING ELEMENT 850W 230V
34	A87RZ65056	BOTTOM HEATING ELEMENT 580W 230V Mod. 6÷9÷12÷18
35	A87RZ65066	UPPER HEATING ELEMENT 1250W 230V Mod. 6÷9÷12÷18
36	A88CY79002	TERMO/TIMER ELECTRONIC CONTROL P1-P2 + RTC
37	A93OL65025	POLYESTER LABEL PROFESSIONAL DIGITAL OVEN
38	A88TC84001	DIGITAL THERMOMETER

M6L_P08PR10003; MS6L_P08PR11003; D6L_P08PR12003; DS6L_P08PR13003

Pos.	Code	Description
01	A99FC63002	FRONT SIDE PROFESSIONAL 6L÷9÷12L÷18 Release 2009
06	A95FA65003	PERFORATED REFRACTORY BRICK Mis. 700x350x22 Mod. 4÷6L÷8÷12L
07	A90MA65010	FLUE CLOSING KNOB
08	A95OO65008	BRICK 700x350x14 Mod. 4÷6L÷8÷12L
09	A87IL74006	DOME-FORM LAMP GLASS 77.222.-503.00
10	A87IL72013	HALOGEN BULB 12V 20W G4
11	A87IL73007	BULB HOLDER G4 12V 20W BJB 77.912
12	A88TX77004	UNIPOLAR SAFETY THERMOSTAT 450° C
13	A99PT63002	DOOR PROFESSIONAL 6L÷9÷12L÷18 Release 2009
14	A00PT61002	CERAMIC GLASS SHEET 515x94x4 mm
15	S66CG63002	DOOR INTERNAL PANEL ASSEMBLY PROFESSIONAL 6L÷9÷12L÷18 Release 2009
16	S66MG64001	DOOR HANDLE ASSEMBLY
17	S69RT63001	ROLLING PIVOT
18	S74ML63002	SPRING'S WHELL
19	A86PQ42001	PLASTIC SPACER CF06H4080 18 06
20	A86ME30012	DOOR SPRING WITH TIE ROD Ø 19,5 - Ø WIRE=2.8 MM
21	A87IL72012	TRANSFORMER 40VA 50/60HZ 230V÷12V
22	A88SE81002	RELÈ CARD
23	A86PQ42001	PLASTIC SPACER CF06H4080 18 06
26	S40LT63014	RIGHT SIDE PANEL PROFESSIONAL 4÷6L Release 2009
27E	S65CI63005	FRONT DIGITAL CONTROL PANEL PROFESSIONAL 4÷6÷6L÷9
27F	S65CI63001	FRONT MECHANICAL CONTROL PANEL PROFESSIONAL 4÷6÷6L÷9
28	A87AZ69004	FOUR-POLE SWITCH 16A
29	A87AZ69001	SWITCH BIPOLAR LIGHTED GREEN 0-1 CV2 230V
30	A88TX77005	UNIPOLAR thermostat 450° C
31	S73FN55009	THERMOSTAT KNOB 0-10
32	A87IL72005	TRANSPARENT PILOT LIGHT 380V
33	A87RZ65008	DOOR HEATING ELEMENT 1250W 230V
34	A87RZ65054	BOTTOM HEATING ELEMENT 400W 230V Mod. 4÷6L÷8÷12L
35	A87RZ65006	UPPER HEATING ELEMENT 700W 230V Mod. 4÷6L÷8÷12L
36	A88CY79002	TERMO/TIMER ELECTRONIC CONTROL P1-P2 + RTC
37	A93OL65025	POLYESTER LABEL PROFESSIONAL DIGITAL OVEN
38	A88TC84001	DIGITAL THERMOMETER

M9_P08PR10004; MS9_P08PR11004; D9_P08PR12004; DS9_P08PR13004

Pos.	Code	Description
01	A99FC63002	FRONT SIDE PROFESSIONAL 6L÷9÷12L÷18 Release 2009
06	A95FA65004	PERFORATED REFRACTORY BRICK Mis. 1050x350x22 Mod. 6-9-12-18
07	A90MA65010	FLUE CLOSING KNOB
08	A95OO65009	BRICK 1050x350x14 Mod. 6-9-12-18
09	A87IL74006	DOME-FORM LAMP GLASS 77.222.-503.00
10	A87IL72013	HALOGEN BULB 12V 20W G4
11	A87IL73007	BULB HOLDER G4 12V 20W BJB 77.912
12	A88TX77004	UNIPOLAR SAFETY THERMOSTAT 450° C
13	A99PT63002	DOOR PROFESSIONAL 6L÷9÷12L÷18 Release 2009
14	A00PT61002	CERAMIC GLASS SHEET 515x94x4 mm
15	S66CG63002	DOOR INTERNAL PANEL ASSEMBLY PROFESSIONAL 6L÷9÷12L÷18 Release 2009
16	S66MG64001	DOOR HANDLE ASSEMBLY
17	S69RT63001	ROLLING PIVOT
18	S74ML63002	SPRING'S WHELL
19	A86PQ42001	PLASTIC SPACER CF06H4080 18 06
20	A86ME30012	DOOR SPRING WITH TIE ROD Ø 19,5 - Ø WIRE=2.8 MM
21	A87IL72012	TRANSFORMER 40VA 50/60HZ 230V÷12V
22	A88SE81002	RELÈ CARD
23	A86PQ42001	PLASTIC SPACER CF06H4080 18 06
26	S40LT63016	RIGHT SIDE PANEL PROFESSIONAL 6÷9 Release 2009
27E	S65CI63005	FRONT DIGITAL CONTROL PANEL PROFESSIONAL 4÷6÷6L÷9
27F	S65CI63001	FRONT MECHANICAL CONTROL PANEL PROFESSIONAL 4÷6÷6L÷9
28	A87AZ69009	FOUR-POLE SWITCH 32A
	A87AZ69011	PLATE 48X48 GREY/BLACK MAIN SWITCH 32 A
29	A87AZ69001	SWITCH BIPOLAR LIGHTED GREEN 0-1 CV2 230V
30	A88TX77005	UNIPOLAR thermostat 450° C
31	S73FN55009	THERMOSTAT KNOB 0-10
32	A87IL72005	TRANSPARENT PILOT LIGHT 380V
33	A87RZ65008	DOOR HEATING ELEMENT 1250W 230V
34	A87RZ65056	BOTTOM HEATING ELEMENT 580W 230V Mod. 6÷9÷12÷18
35	A87RZ65057	UPPER HEATING ELEMENT 820W 230V Mod. 6÷9÷12÷18
36	A88CY79002	TERMO/TIMER ELECTRONIC CONTROL P1-P2 + RTC
37	A93OL65025	POLYESTER LABEL PROFESSIONAL DIGITAL OVEN
38	A88TC84001	DIGITAL THERMOMETER

M8_P08PR10005; MS8_P08PR11005; D8_P08PR12005; DS8_P08PR13005

Pos.	Code	Description
01	A99FC63001	FRONT SIDE PROFESSIONAL 4÷6÷8÷12 Release 2009
06	A95FA65003	PERFORATED REFRACTORY BRICK Mis. 700x350x22 Mod. 4÷6L÷8÷12L
07	A90MA65010	FLUE CLOSING KNOB
08	A95OO65008	BRICK 700x350x14 Mod. 4÷6L÷8÷12L
09	A87IL74006	DOME-FORM LAMP GLASS 77.222.-503.00
10	A87IL72013	HALOGEN BULB 12V 20W G4
11	A87IL73007	BULB HOLDER G4 12V 20W BJB 77.912
12	A88TX77004	UNIPOLAR SAFETY THERMOSTAT 450° C
13	A99PT63001	DOOR PROFESSIONAL 4÷6÷8÷12 Release 2009
14	A00PT61002	CERAMIC GLASS SHEET 515x94x4 mm
15	S66CG63001	DOOR INTERNAL PANEL ASSEMBLY PROFESSIONAL 4÷6÷8÷12 Release 2009
16	S66MG64001	DOOR HANDLE ASSEMBLY
17	S69RT63001	ROLLING PIVOT
18	S74ML63002	SPRING'S WHELL
19	A86PQ42001	PLASTIC SPACER CF06H4080 18 06
20	A86ME30012	DOOR SPRING WITH TIE ROD Ø 19,5 - Ø WIRE=2.8 MM
21	A87IL72012	TRANSFORMER 40VA 50/60HZ 230V÷12V
22	A88SE81002	RELÈ CARD
23	A86PQ42001	PLASTIC SPACER CF06H4080 18 06
26	S40LT63018	RIGHT SIDE PANEL PROFESSIONAL 8÷12L Release 2009
27E	S65CI63007	FRONT DIGITAL CONTROL PANEL PROFESSIONAL 8÷12÷12L÷18
27F	S65CI63008	FRONT MECHANICAL CONTROL PANEL PROFESSIONAL 8÷12÷12L÷18
28	A87AZ69004	FOUR-POLE SWITCH 16A
29	A87AZ69001	SWITCH BIPOLAR LIGHTED GREEN 0-1 CV2 230V
30	A88TX77005	UNIPOLAR thermostat 450° C
31	S73FN55009	THERMOSTAT KNOB 0-10
32	A87IL72005	TRANSPARENT PILOT LIGHT 380V
33	A87RZ65006	DOOR HEATING ELEMENT 700W 230V
34	A87RZ65054	BOTTOM HEATING ELEMENT 400W 230V Mod. 4÷6L÷8÷12L
35	A87RZ65006	UPPER HEATING ELEMENT 700W 230V Mod. 4÷6L÷8÷12L
36	A88CY79002	TERMO/TIMER ELECTRONIC CONTROL P1-P2 + RTC
37	A93OL65025	POLYESTER LABEL PROFESSIONAL DIGITAL OVEN
38	A88TC84001	DIGITAL THERMOMETER

M12_P08PR10006; MS12_P08PR11006; D12_P08PR12006; DS12_P08PR13006

Pos.	Code	Description
01	A99FC63001	FRONT SIDE PROFESSIONAL 4÷6÷8÷12 Release 2009
06	A95FA65004	PERFORATED REFRACTORY BRICK Mis. 1050x350x22 Mod. 6-9-12-18
07	A90MA65010	FLUE CLOSING KNOB
08	A95OO65009	BRICK 1050x350x14 Mod. 6-9-12-18
09	A87IL74006	DOME-FORM LAMP GLASS 77.222.-503.00
10	A87IL72013	HALOGEN BULB 12V 20W G4
11	A87IL73007	BULB HOLDER G4 12V 20W BJB 77.912
12	A88TX77004	UNIPOLAR SAFETY THERMOSTAT 450° C
13	A99PT63001	DOOR PROFESSIONAL 4÷6÷8÷12 Release 2009
14	A00PT61002	CERAMIC GLASS SHEET 515x94x4 mm
15	S66CG63001	DOOR INTERNAL PANEL ASSEMBLY PROFESSIONAL 4÷6÷8÷12 Release 2009
16	S66MG64001	DOOR HANDLE ASSEMBLY
17	S69RT63001	ROLLING PIVOT
18	S74ML63002	SPRING'S WHELL
19	A86PQ42001	PLASTIC SPACER CF06H4080 18 06
20	A86ME30012	DOOR SPRING WITH TIE ROD Ø 19,5 - Ø WIRE=2.8 MM
21	A87IL72012	TRANSFORMER 40VA 50/60HZ 230V÷12V
22	A88SE81002	RELÈ CARD
23	A86PQ42001	PLASTIC SPACER CF06H4080 18 06
26	S40IN63015	RIGHT SIDE PANEL PROFESSIONAL 12÷18 Release 2009
27E	S65CI63007	FRONT DIGITAL CONTROL PANEL PROFESSIONAL 8÷12÷12L÷18
27F	S65CI63008	FRONT MECHANICAL CONTROL PANEL PROFESSIONAL 8÷12÷12L÷18
28	A87AZ69004	FOUR-POLE SWITCH 16A
29	A87AZ69001	SWITCH BIPOLAR LIGHTED GREEN 0-1 CV2 230V
30	A88TX77005	UNIPOLAR thermostat 450° C
31	S73FN55009	THERMOSTAT KNOB 0-10
32	A87IL72005	TRANSPARENT PILOT LIGHT 380V
33	A87RZ65011	DOOR HEATING ELEMENT 850W 230V
34	A87RZ65056	BOTTOM HEATING ELEMENT 580W 230V Mod. 6÷9÷12÷18
35	A87RZ65066	UPPER HEATING ELEMENT 1250W 230V Mod. 6÷9÷12÷18
36	A88CY79002	TERMO/TIMER ELECTRONIC CONTROL P1-P2 + RTC
37	A93OL65025	POLYESTER LABEL PROFESSIONAL DIGITAL OVEN
38	A88TC84001	DIGITAL THERMOMETER

M12L_P08PR10007; MS12L_P08PR11007; D12L_P08PR12007; DS12L_P08PR13007

Pos.	Code	Description
01	A99FC63002	FRONT SIDE PROFESSIONAL 6L÷9÷12L÷18 Release 2009
06	A95FA65003	PERFORATED REFRACTORY BRICK Mis. 700x350x22 Mod. 4÷6L÷8÷12L
07	A90MA65010	FLUE CLOSING KNOB
08	A95OO65008	BRICK 700x350x14 Mod. 4÷6L÷8÷12L
09	A87IL74006	DOME-FORM LAMP GLASS 77.222.-503.00
10	A87IL72013	HALOGEN BULB 12V 20W G4
11	A87IL73007	BULB HOLDER G4 12V 20W BJB 77.912
12	A88TX77004	UNIPOLAR SAFETY THERMOSTAT 450° C
13	A99PT63002	DOOR PROFESSIONAL 6L÷9÷12L÷18 Release 2009
14	A00PT61002	CERAMIC GLASS SHEET 515x94x4 mm
15	S66CG63002	DOOR INTERNAL PANEL ASSEMBLY PROFESSIONAL 6L÷9÷12L÷18 Release 2009
16	S66MG64001	DOOR HANDLE ASSEMBLY
17	S69RT63001	ROLLING PIVOT
18	S74ML63002	SPRING'S WHELL
19	A86PQ42001	PLASTIC SPACER CF06H4080 18 06
20	A86ME30012	DOOR SPRING WITH TIE ROD Ø 19,5 - Ø WIRE=2.8 MM
21	A87IL72012	TRANSFORMER 40VA 50/60HZ 230V÷12V
22	A88SE81002	RELÈ CARD
23	A86PQ42001	PLASTIC SPACER CF06H4080 18 06
26	S40LT63018	RIGHT SIDE PANEL PROFESSIONAL 8÷12L Release 2009
27E	S65CI63007	FRONT DIGITAL CONTROL PANEL PROFESSIONAL 8÷12÷12L÷18
27F	S65CI63008	FRONT MECHANICAL CONTROL PANEL PROFESSIONAL 8÷12÷12L÷18
28	A87AZ69004	FOUR-POLE SWITCH 16A
29	A87AZ69001	SWITCH BIPOLAR LIGHTED GREEN 0-1 CV2 230V
30	A88TX77005	UNIPOLAR thermostat 450° C
31	S73FN55009	THERMOSTAT KNOB 0-10
32	A87IL72005	TRANSPARENT PILOT LIGHT 380V
33	A87RZ65008	DOOR HEATING ELEMENT 1250W 230V
34	A87RZ65054	BOTTOM HEATING ELEMENT 400W 230V Mod. 4÷6L÷8÷12L
35	A87RZ65006	UPPER HEATING ELEMENT 700W 230V Mod. 4÷6L÷8÷12L
36	A88CY79002	TERMO/TIMER ELECTRONIC CONTROL P1-P2 + RTC
37	A93OL65025	POLYESTER LABEL PROFESSIONAL DIGITAL OVEN
38	A88TC84001	DIGITAL THERMOMETER

M18_P08PR10008; MS18_P08PR11008; D18_P08PR12008; DS18_P08PR13008

Pos.	Code	Description
01	A99FC63002	FRONT SIDE PROFESSIONAL 6L÷9÷12L÷18 Release 2009
06	A95FA65004	PERFORATED REFRACTORY BRICK Mis. 1050x350x22 Mod. 6-9-12-18
07	A90MA65010	FLUE CLOSING KNOB
08	A95OO65009	BRICK 1050x350x14 Mod. 6-9-12-18
09	A87IL74006	DOME-FORM LAMP GLASS 77.222.-503.00
10	A87IL72013	HALOGEN BULB 12V 20W G4
11	A87IL73007	BULB HOLDER G4 12V 20W BJB 77.912
12	A88TX77004	UNIPOLAR SAFETY THERMOSTAT 450° C
13	A99PT63002	DOOR PROFESSIONAL 6L÷9÷12L÷18 Release 2009
14	A00PT61002	CERAMIC GLASS SHEET 515x94x4 mm
15	S66CG63002	DOOR INTERNAL PANEL ASSEMBLY PROFESSIONAL 6L÷9÷12L÷18 Release 2009
16	S66MG64001	DOOR HANDLE ASSEMBLY
17	S69RT63001	ROLLING PIVOT
18	S74ML63002	SPRING'S WHELL
19	A86PQ42001	PLASTIC SPACER CF06H4080 18 06
20	A86ME30012	DOOR SPRING WITH TIE ROD Ø 19,5 - Ø WIRE=2.8 MM
21	A87IL72012	TRANSFORMER 40VA 50/60HZ 230V÷12V
22	A88SE81002	RELÈ CARD
23	A86PQ42001	PLASTIC SPACER CF06H4080 18 06
26	S40IN63015	RIGHT SIDE PANEL PROFESSIONAL 12÷18 Release 2009
27E	S65CI63007	FRONT DIGITAL CONTROL PANEL PROFESSIONAL 8÷12÷12L÷18
27F	S65CI63008	FRONT MECHANICAL CONTROL PANEL PROFESSIONAL 8÷12÷12L÷18
28	A87AZ69009	FOUR-POLE SWITCH 32A
	A87AZ69011	PLATE 48X48 GREY/BLACK MAIN SWITCH 32 A
29	A87AZ69001	SWITCH BIPOLAR LIGHTED GREEN 0-1 CV2 230V
30	A88TX77005	UNIPOLAR thermostat 450° C
31	S73FN55009	THERMOSTAT KNOB 0-10
32	A87IL72005	TRANSPARENT PILOT LIGHT 380V
33	A87RZ65008	DOOR HEATING ELEMENT 1250W 230V
34	A87RZ65056	BOTTOM HEATING ELEMENT 580W 230V Mod. 6÷9÷12÷18
35	A87RZ65057	UPPER HEATING ELEMENT 820W 230V Mod. 6÷9÷12÷18
36	A88CY79002	TERMO/TIMER ELECTRONIC CONTROL P1-P2 + RTC
37	A93OL65025	POLYESTER LABEL PROFESSIONAL DIGITAL OVEN
38	A88TC84001	DIGITAL THERMOMETER

TECHNICAL DATA

Model	Weight (Kg)	Width (mm)	Depth (mm)	Height (mm)	Power consumption (W)	Type of Voltage	Supply Voltage (V)	Maximal Temperature Set (°C)
PROFESSIONAL D4	115	1060	1020	400	7.300	3Ph+N+T	400	450°
PROFESSIONAL DS4	129	1060	1020	400	6.600	3Ph+N+T	400	450°
PROFESSIONAL D6	143	1060	1370	400	11.800	3Ph+N+T	400	450°
PROFESSIONAL DS6	159	1060	1370	400	10.980	3Ph+N+T	400	450°
PROFESSIONAL D6L	153	1410	1020	400	11.150	3Ph+N+T	400	450°
PROFESSIONAL DS6L	170	1410	1020	400	9.900	3Ph+N+T	400	450°
PROFESSIONAL D9	167	1410	1370	400	13.850	3Ph+N+T	400	450°
PROFESSIONAL DS9	195	1410	1370	400	12.600	3Ph+N+T	400	450°
PROFESSIONAL D8	166	1060	1020	800	14.600	3Ph+N+T	400	450°
PROFESSIONAL DS8	194	1060	1020	800	13.200	3Ph+N+T	400	450°
PROFESSIONAL D12	217	1060	1370	800	23.600	3Ph+N+T	400	450°
PROFESSIONAL DS12	257	1060	1370	800	21.960	3Ph+N+T	400	450°
PROFESSIONAL D12L	228	1410	1020	800	22.300	3Ph+N+T	400	450°
PROFESSIONAL DS12L	267	1410	1020	800	19.800	3Ph+N+T	400	450°
PROFESSIONAL D18	291	1410	1370	800	27.700	3Ph+N+T	400	450°
PROFESSIONAL DS18	351	1410	1370	800	25.200	3Ph+N+T	400	450°

Model	Weight (Kg)	Width (mm)	Depth (mm)	Height (mm)	Power consumption (W)	Type of Voltage	Supply Voltage (v)	Maximal Temperature Set (°C)
PROFESSIONAL M4	115	1060	1020	400	7.300	3Ph+N+T	400	450°
PROFESSIONAL MS4	129	1060	1020	400	6.600	3Ph+N+T	400	450°
PROFESSIONAL M6	143	1060	1370	400	11.800	3Ph+N+T	400	450°
PROFESSIONAL MS6	159	1060	1370	400	10.980	3Ph+N+T	400	450°
PROFESSIONAL M6L	153	1410	1020	400	11.150	3Ph+N+T	400	450°
PROFESSIONAL MS6L	170	1410	1020	400	9.900	3Ph+N+T	400	450°
PROFESSIONAL M9	167	1410	1370	400	13.850	3Ph+N+T	400	450°
PROFESSIONAL MS9	195	1410	1370	400	12.600	3Ph+N+T	400	450°
PROFESSIONAL M8	166	1060	1020	800	14.600	3Ph+N+T	400	450°
PROFESSIONAL MS8	194	1060	1020	800	13.200	3Ph+N+T	400	450°
PROFESSIONAL M12	217	1060	1370	800	23.600	3Ph+N+T	400	450°
PROFESSIONAL MS12	257	1060	1370	800	21.960	3Ph+N+T	400	450°
PROFESSIONAL M12L	228	1410	1020	800	22.300	3Ph+N+T	400	450°
PROFESSIONAL MS12L	267	1410	1020	800	19.800	3Ph+N+T	400	450°
PROFESSIONAL M18	291	1410	1370	800	27.700	3Ph+N+T	400	450°
PROFESSIONAL MS18	351	1410	1370	800	25.200	3Ph+N+T	400	450°

