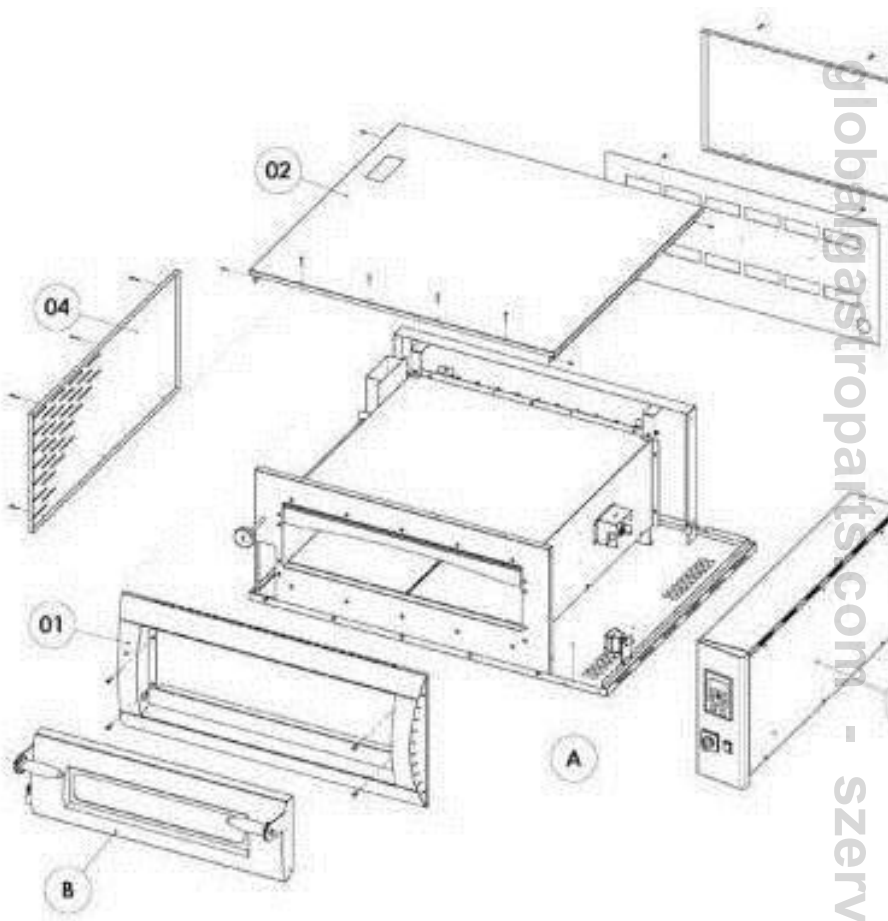




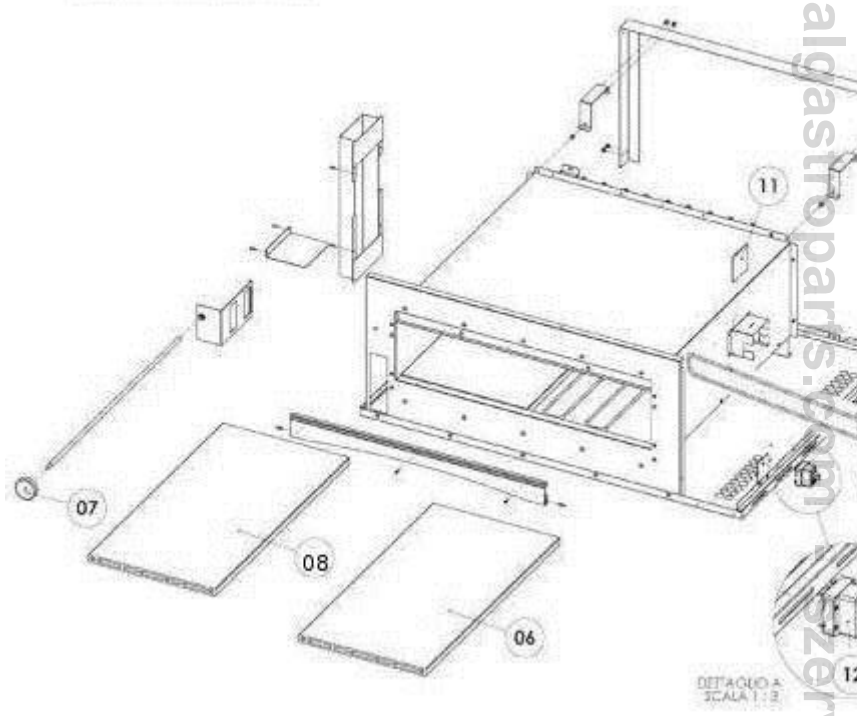
PizzaGroup

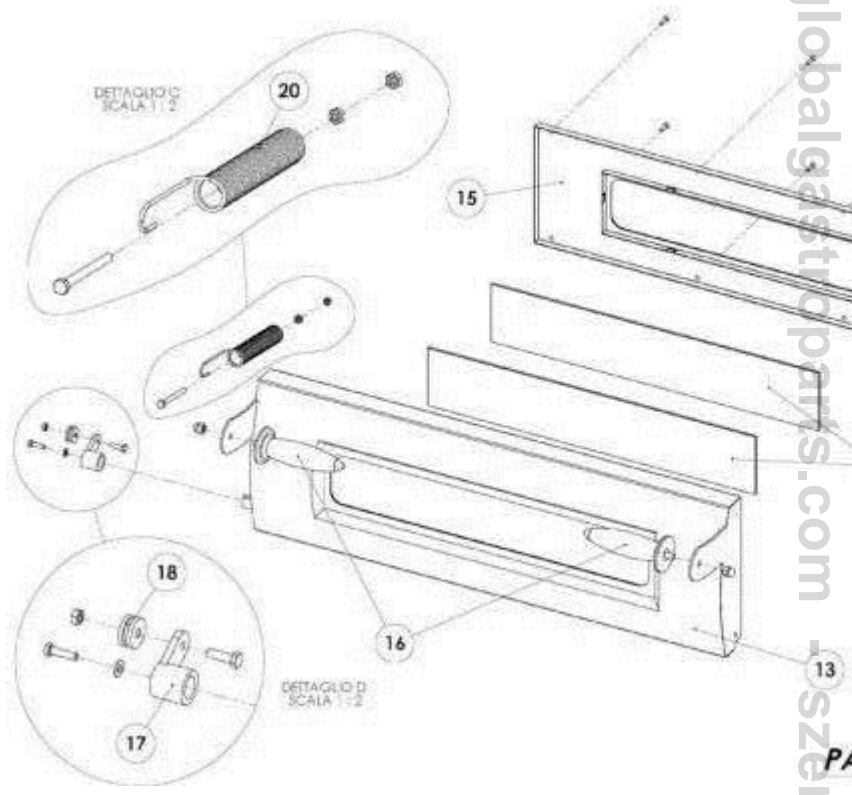


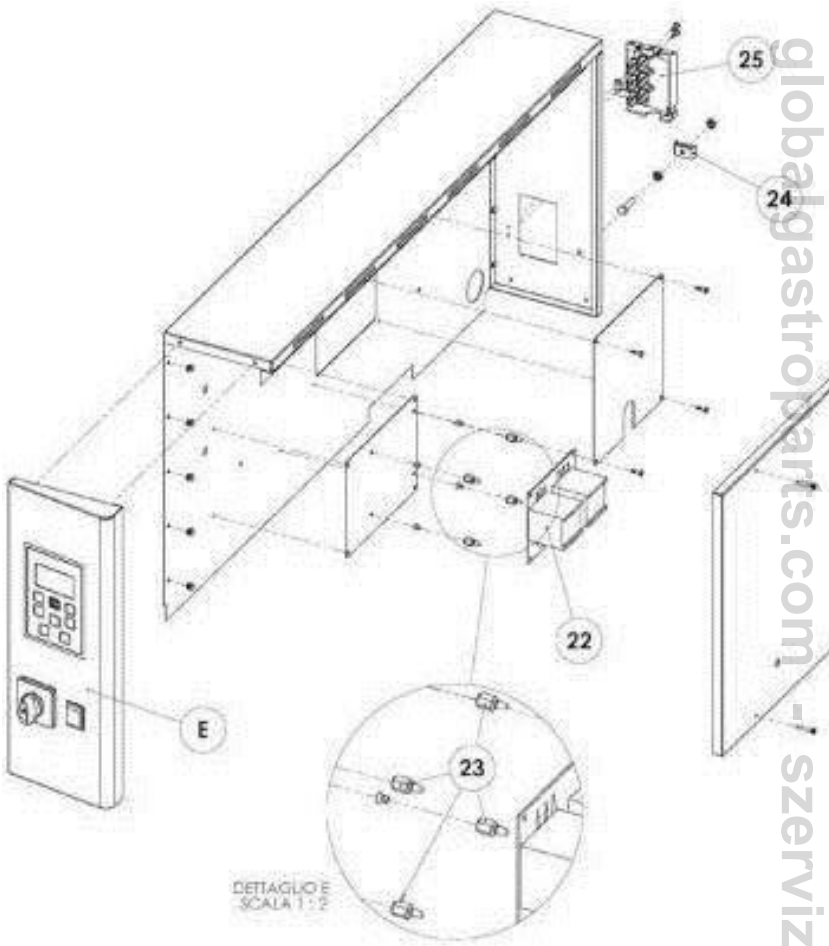
**EXPLODED VIEW
PROFESSIONAL DIGITAL OVENS**



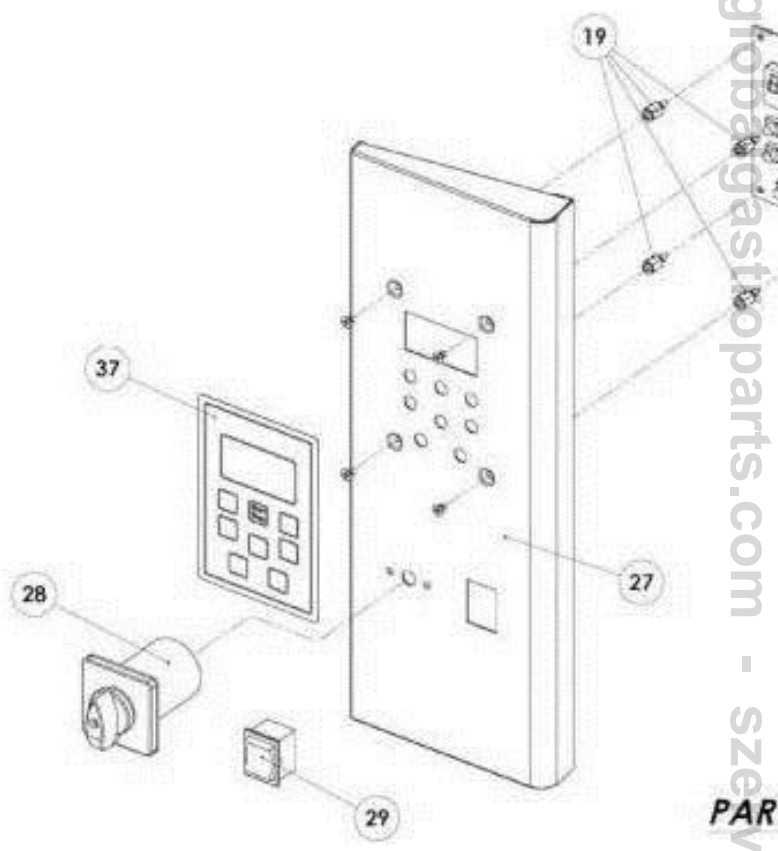
PARTICOLARE A







DETTAGLIO E
SCALA 1:2



MOD.	D4	D6	D6L	D9	D8	D12	D12L	D18
POS.								
1	A99FC63001	A99FC63001	A99FC63002	A99FC63002	A99FC63001	A99FC63001	A99FC63002	A99FC63002
2	S32SR63002	S32SR63005	S32SR63008	S32SR63011	S32SR63002	S32SR63005	S32SR63008	S32SR63011
4	S40LT63005	S40LT63007	S40LT63005	S40LT63007	S40LT63009	S40LT63012	S40LT63009	S40LT63012
5	S40PS63003	S40PS63003	S40PS63006	S40PS63006	S40PS63009	S40PS63009	S40PS63012	S40PS63012
6	A95FA65003	A95FA65004	A95FA65003	A95FA65004	A95FA65003	A95FA65004	A95FA65003	A95FA65004
7	A90MA65010	A90MA65010	A90MA65010	A90MA65010	A90MA65010	A90MA65010	A90MA65010	A90MA65010
8	-----	-----	-----	-----	-----	-----	-----	-----
9	A87IL73002	A87IL73002	A87IL73002	A87IL73002	A87IL73002	A87IL73002	A87IL73002	A87IL73002
10	A87IL72010	A87IL72010	A87IL72010	A87IL72010	A87IL72010	A87IL72010	A87IL72010	A87IL72010
11	A87IL74003	A87IL74003	A87IL74003	A87IL74003	A87IL74003	A87IL74003	A87IL74003	A87IL74003
12	A88TX77004	A88TX77004	A88TX77004	A88TX77004	A88TX77004	A88TX77004	A88TX77004	A88TX77004
13	A99PT63001	A99PT63001	A99PT63002	A99PT63002	A99PT63001	A99PT63001	A99PT63002	A99PT63002
14	A00PT61002	A00PT61002	A00PT61002	A00PT61002	A00PT61002	A00PT61002	A00PT61002	A00PT61002
15	S66CG63001	S66CG63001	S66CG63002	S66CG63002	S66CG63001	S66CG63001	S66CG63002	S66CG63002
16	S66MG64001	S66MG64001	S66MG64001	S66MG64001	S66MG64001	S66MG64001	S66MG64001	S66MG64001
17	S69RT63001	S69RT63001	S69RT63001	S69RT63001	S69RT63001	S69RT63001	S69RT63001	S69RT63001
18	S74ML63002	S74ML63002	S74ML63002	S74ML63002	S74ML63002	S74ML63002	S74ML63002	S74ML63002
19	A86PQ42001	A86PQ42001	A86PQ42001	A86PQ42001	A86PQ42001	A86PQ42001	A86PQ42001	A86PQ42001
20	A86ME30012	A86ME30012	A86ME30012	A86ME30012	A86ME30012	A86ME30012	A86ME30012	A86ME30012
22	A88SE81001	A88SE81001	A88SE81001	A88SE81001	A88SE81001	A88SE81001	A88SE81001	A88SE81001
23	A86PQ42002	A86PQ42002	A86PQ42002	A86PQ42002	A86PQ42002	A86PQ42002	A86PQ42002	A86PQ42002
24	A86EL48001	A86EL48001	A86EL48001	A86EL48001	A86EL48001	A86EL48001	A86EL48001	A86EL48001
25	S66CB63001	S66CB63001	S66CB63001	S66CB63001	S66CB63001	S66CB63001	S66CB63001	S66CB63001
26	S40LT63014	S40LT63016	S40LT63014	S40LT63016	S40LT63018	S40LT63020	S40LT63018	S40LT63020
27	S65CI63005	S65CI63005	S65CI63005	S65CI63005	S65CI63007	S65CI63007	S65CI63007	S65CI63007
28	A87AZ69004	A87AZ69004	A87AZ69004	A87AZ69009	A87AZ69004	A87AZ69004	A87AZ69004	A87AZ69009
29	A87AZ69001	A87AZ69001	A87AZ69001	A87AZ69001	A87AZ69001	A87AZ69001	A87AZ69001	A87AZ69001
33	A87RZ65006	A87RZ65011	A87RZ65008	A87RZ65008	A87RZ65006	A87RZ65011	A87RZ65008	A87RZ65008
34	A87RZ65054	A87RZ65056	A87RZ65054	A87RZ65056	A87RZ65054	A87RZ65056	A87RZ65054	A87RZ65056
35	A87RZ65006	A87RZ65002	A87RZ65006	A87RZ65057	A87RZ65006	A87RZ65002	A87RZ65006	A87RZ65057
36	A88CY79002	A88CY79002	A88CY79002	A88CY79002	A88CY79002	A88CY79002	A88CY79002	A88CY79002
37	A93OL65025	A93OL65025	A93OL65025	A93OL65025	A93OL65025	A93OL65025	A93OL65025	A93OL65025

MOD.	DS4	DS6	DS-6L	DS9	DS8	DS12	DS12L	DS18
POS.								
1	A99FC63001	A99FC63001	A99FC63002	A99FC63002	A99FC63001	A99FC63001	A99FC63002	A99FC63002
2	S32SR63002	S32SR63005	S32SR63008	S32SR63011	S32SR63002	S32SR63005	S32SR63008	S32SR63011
4	S40LT63005	S40LT63007	S40LT63005	S40LT63007	S40LT63009	S40LT63012	S40LT63009	S40LT63012
5	S40PS63003	S40PS63003	S40PS63006	S40PS63006	S40PS63009	S40PS63009	S40PS63012	S40PS63012
6	A95FA65003	A95FA65004	A95FA65003	A95FA65004	A95FA65003	A95FA65004	A95FA65003	A95FA65004
7	A90MA65010	A90MA65010	A90MA65010	A90MA65010	A90MA65010	A90MA65010	A90MA65010	A90MA65010
8	A95OO65008	A95OO65009	A95OO65008	A95OO65009	A95OO65008	A95OO65009	A95OO65008	A95OO65009
9	A87IL73002	A87IL73002	A87IL73002	A87IL73002	A87IL73002	A87IL73002	A87IL73002	A87IL73002
10	A87IL72010	A87IL72010	A87IL72010	A87IL72010	A87IL72010	A87IL72010	A87IL72010	A87IL72010
11	A87IL74003	A87IL74003	A87IL74003	A87IL74003	A87IL74003	A87IL74003	A87IL74003	A87IL74003
12	A88TX77004	A88TX77004	A88TX77004	A88TX77004	A88TX77004	A88TX77004	A88TX77004	A88TX77004
13	A99PT63001	A99PT63001	A99PT63002	A99PT63002	A99PT63001	A99PT63001	A99PT63002	A99PT63002
14	A00PT61002	A00PT61002	A00PT61002	A00PT61002	A00PT61002	A00PT61002	A00PT61002	A00PT61002
15	S66CG63001	S66CG63001	S66CG63002	S66CG63002	S66CG63001	S66CG63001	S66CG63002	S66CG63002
16	S66MG64001	S66MG64001	S66MG64001	S66MG64001	S66MG64001	S66MG64001	S66MG64001	S66MG64001
17	S69RT63001	S69RT63001	S69RT63001	S69RT63001	S69RT63001	S69RT63001	S69RT63001	S69RT63001
18	S74ML63002	S74ML63002	S74ML63002	S74ML63002	S74ML63002	S74ML63002	S74ML63002	S74ML63002
19	A86PQ42001	A86PQ42001	A86PQ42001	A86PQ42001	A86PQ42001	A86PQ42001	A86PQ42001	A86PQ42001
20	A86ME30012	A86ME30012	A86ME30012	A86ME30012	A86ME30012	A86ME30012	A86ME30012	A86ME30012
22	A88SE81001	A88SE81001	A88SE81001	A88SE81001	A88SE81001	A88SE81001	A88SE81001	A88SE81001
23	A86PQ42002	A86PQ42002	A86PQ42002	A86PQ42002	A86PQ42002	A86PQ42002	A86PQ42002	A86PQ42002
24	A86EL48001	A86EL48001	A86EL48001	A86EL48001	A86EL48001	A86EL48001	A86EL48001	A86EL48001
25	S66CB63001	S66CB63001	S66CB63001	S66CB63001	S66CB63001	S66CB63001	S66CB63001	S66CB63001
26	S40LT63014	S40LT63016	S40LT63014	S40LT63016	S40LT63018	S40LT63020	S40LT63018	S40LT63020
27	S65CI63005	S65CI63005	S65CI63005	S65CI63005	S65CI63007	S65CI63007	S65CI63007	S65CI63007
28	A87AZ69004	A87AZ69004	A87AZ69004	A87AZ69009	A87AZ69004	A87AZ69004	A87AZ69004	A87AZ69009
29	A87AZ69001	A87AZ69001	A87AZ69001	A87AZ69001	A87AZ69001	A87AZ69001	A87AZ69001	A87AZ69001
33	-----	-----	-----	-----	-----	-----	-----	-----
34	A87RZ65054	A87RZ65056	A87RZ65054	A87RZ65056	A87RZ65054	A87RZ65056	A87RZ65054	A87RZ65056
35	A87RZ65006	A87RZ65002	A87RZ65006	A87RZ65057	A87RZ65006	A87RZ65002	A87RZ65006	A87RZ65057
36	A88CY79002	A88CY79002	A88CY79002	A88CY79002	A88CY79002	A88CY79002	A88CY79002	A88CY79002
37	A93OL65025	A93OL65025	A93OL65025	A93OL65025	A93OL65025	A93OL65025	A93OL65025	A93OL65025

THECNICAL DATA

Model	Weight (Kg)	Width (mm)	Depth (mm)	Height (mm)	Power consumption (W)	Type of Voltage	Supply Voltage (V)	Maximal Temperature Set (°C)
PROFESSIONAL D4	115	1060	1020	400	7.300	3 F + N + T	400	450°
PROFESSIONAL DS4	129	1060	1020	400	6.600	3 F + N + T	400	450°
PROFESSIONAL D6	143	1060	1370	400	11.800	3 F + N + T	400	450°
PROFESSIONAL DS6	159	1060	1370	400	10.980	3 F + N + T	400	450°
PROFESSIONAL D6L	153	1410	1020	400	11.150	3 F + N + T	400	450°
PROFESSIONAL DS6L	170	1410	1020	400	9.900	3 F + N + T	400	450°
PROFESSIONAL D9	167	1410	1370	400	13.850	3 F + N + T	400	450°
PROFESSIONAL DS9	195	1410	1370	400	12.600	3 F + N + T	400	450°
PROFESSIONAL D8	166	1060	1020	800	14.600	3 F + N + T	400	450°
PROFESSIONAL DS8	194	1060	1020	800	13.200	3 F + N + T	400	450°
PROFESSIONAL D12	217	1060	1370	800	23.600	3 F + N + T	400	450°
PROFESSIONAL DS12	257	1060	1370	800	21.960	3 F + N + T	400	450°
PROFESSIONAL D12L	228	1410	1020	800	22.300	3 F + N + T	400	450°
PROFESSIONAL DS12L	267	1410	1020	800	19.800	3 F + N + T	400	450°
PROFESSIONAL D18	291	1410	1370	800	27.700	3 F + N + T	400	450°
PROFESSIONAL DS18	351	1410	1370	800	25.200	3 F + N + T	400	450°

01-02-2013