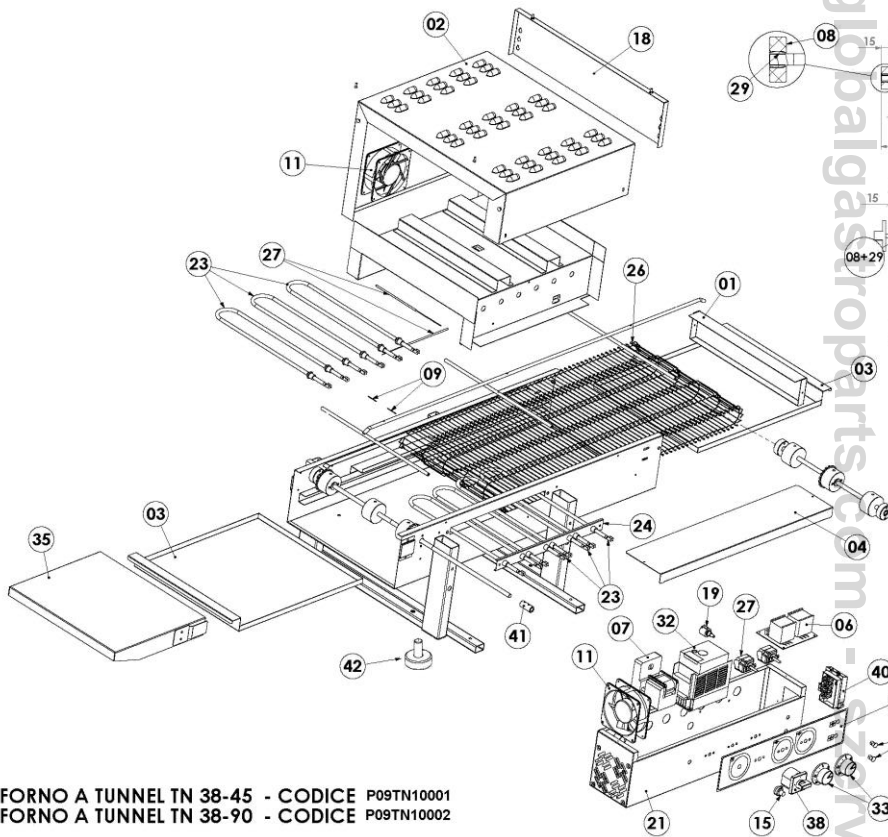




PizzaGroup



**EXPLODED VIEW TUNNEL OVENS
TN 38/45 – TN 38/90**



FORNO A TUNNEL TN 38-45 - CODICE P09TN10001
FORNO A TUNNEL TN 38-90 - CODICE P09TN10002

TUNNEL TN 38/45

Pos.	Code	Description
1	S74CH66004	BELT CASE RH CLOSURE TN 38/45-90
2	S32PN66001	COVER TN 38/45
3	S58FD66001	TRAY TN 38/45
4	S32PN66001	CONTROL PANEL COVER TN 38/45
5	A93OL65038	TUNNEL OVEN MECHANICAL CONTROL FRONT LABEL
6	A88SE81001	"SIPREM" CONTACTOR CARD
7	A87MD56004	TUNNEL OVEN GEARMOTOR
8	S64RT66001	BUSHING SEAT BUSH TN 38/45-90
9	A89NT00002	UNION FOR BELT CONNECTION BS10
10	S74RU66002	TOOTHED WHEEL TN 38/45-90 pitch 11
11	A87VN00002	FAN ON BUSHING 230V 50/60HZ 2.58/2.90M3/MIN.
12	S75FN66002	TUNNEL SMOOTH BELT GUIDE ROLLER TN 38/45-90
15	A90MA65011	TUNNEL POTENTIOMETER MICROMETRIC KNOB Ø21
17	S75FN66001	BELT GUIDE ROLLER FOR TOOTHED BELT 38/45-90
18	S66CH66001	TUNNEL INLET CLOSURE ASSEMBLY TN 38/45-90
19	A88PJ00001	10K POTENTIOMETER FOR MICROMETRIC KNOB
20	S63TR66002	DRIVEN SHAFT TN 38/45-90
21	S66PN66001	MECHANICAL CONTROL PANEL ASSEMBLY TN 38/45
23	A87RZ65034	TUNNEL OVEN RESISTANCE 800 W 230V
24	S30FS66002	LOWER RESISTANCE FASTENING ANGLE BAR TN 38/45
26	A89NT00001	CONVEYOR BELT L= 2 mt.
27	A88TX77005	SINGLE-POLE EGO THERMOSTAT FOR 450° OVENS
29	S64RT66002	BUSHING Øi10xØe14x14 TN 38/45-90
32	A88IY00001	INVERTER ATV12H075M2 0.75 Kw 230/240V 50/60Hz
33	S73FN55004	AP10 THERMOSTAT KNOB OVEN (°C)
34	S63TR66001	DRIVING SHAFT TN 38/45-90
35	S66PI66001	OUTLET PLANE ASSEMBLY TN 38/45-90
38	A87AZ69004	SWITCH TETRAP 16A GIOV. PE160004R001
39	A87IL72005	TRANSPARENT WARNING LIGHT 380 V (INCLUDING CAP)
40	A87CX62002	EXTERNAL 6-POLE TERMINAL BOARD 41°
41	S68AL66001	DRIVING SHAFT JOINT TN 38/45-90
42	A90XP80001	FOOT M10x30
51	A90MP78001	SPHERICAL KNOB PLX.20 - M4
52	S74CH66001	TUNNEL INLET CLOSURE TN 38/45-90

TUNNEL TN 38/90

Pos.	Code	Description
1	S74CH66004	BELT CASE RH CLOSURE TN 38/45-90
2	S32FN66003	COVER TN 38/90
3	S58FD66003	TRAY TN 38/90
4	S32PN66002	CONTROL PANEL COVER TN 38/90
5	A93OL65038	TUNNEL OVEN MECHANICAL CONTROL FRONT LABEL
6	A88SE81001	"SIPREM" CONTACTOR CARD
7	A87MD56004	TUNNEL OVEN GEARMOTOR
8	S64RT66001	BUSHING SEAT BUSH TN 38/45-90
9	A89NT00002	UNION FOR BELT CONNECTION BS10
10	S74RU66002	TOOTHED WHEEL TN 38/45-90 pitch 11
11	A87VN00002	FAN ON BUSHING 230V 50/60HZ 2.58/2.90M3/MIN.
12	S75FN66002	TUNNEL SMOOTH BELT GUIDE ROLLER TN 38/45-90
15	A90MA65011	TUNNEL POTENTIOMETER MICROMETRIC KNOB Ø21
17	S75FN66001	BELT GUIDE ROLLER FOR TOOTHED BELT 38/45-90
18	S66CH66001	TUNNEL INLET CLOSURE ASSEMBLY TN 38/45-90
19	A88PJ00001	10K POTENTIOMETER FOR MICROMETRIC KNOB
20	S63TR66002	DRIVEN SHAFT TN 38/45-90
21	S66PN66002	MECHANICAL CONTROL PANEL ASSEMBLY TN 38/90
23	A87RZ65034	TUNNEL OVEN RESISTANCE 800 W 230V
24	S30FS66004	LOWER RESISTANCE FASTENING ANGLE BAR TN 38/90
26	A89NT00001	CONVEYOR BELT L= 2,70 mt.
27	A88TX77005	SINGLE-POLE EGO THERMOSTAT FOR 450° OVENS
29	S64RT66002	BUSHING Øi10xØe14x14 TN 38/45-90
32	A88IY00001	INVERTER ATV12H075M2 0.75 Kw 230/240V 50/60Hz
33	S73FN55004	AP10 THERMOSTAT KNOB OVEN (°C)
34	S63TR66001	DRIVING SHAFT TN 38/45-90
35	S66PI66001	OUTLET PLANE ASSEMBLY TN 38/45-90
38	A87AZ69004	SWITCH TETRAP 16A GIOV. PE160004R001
39	A87IL72005	TRANSPARENT WARNING LIGHT 380 V (INCLUDING CAP)
40	A87CX62002	EXTERNAL 6-POLE TERMINAL BOARD 41°
41	S68AL66001	DRIVING SHAFT JOINT TN 38/45-90
42	A90XP80001	FOOT M10x30
51	A90MP78001	SPHERICAL KNOB PLX.20 - M4
52	S74CH66001	TUNNEL INLET CLOSURE TN 38/45-90

07-01-2013