

Fig.10-1 Disegno esploso

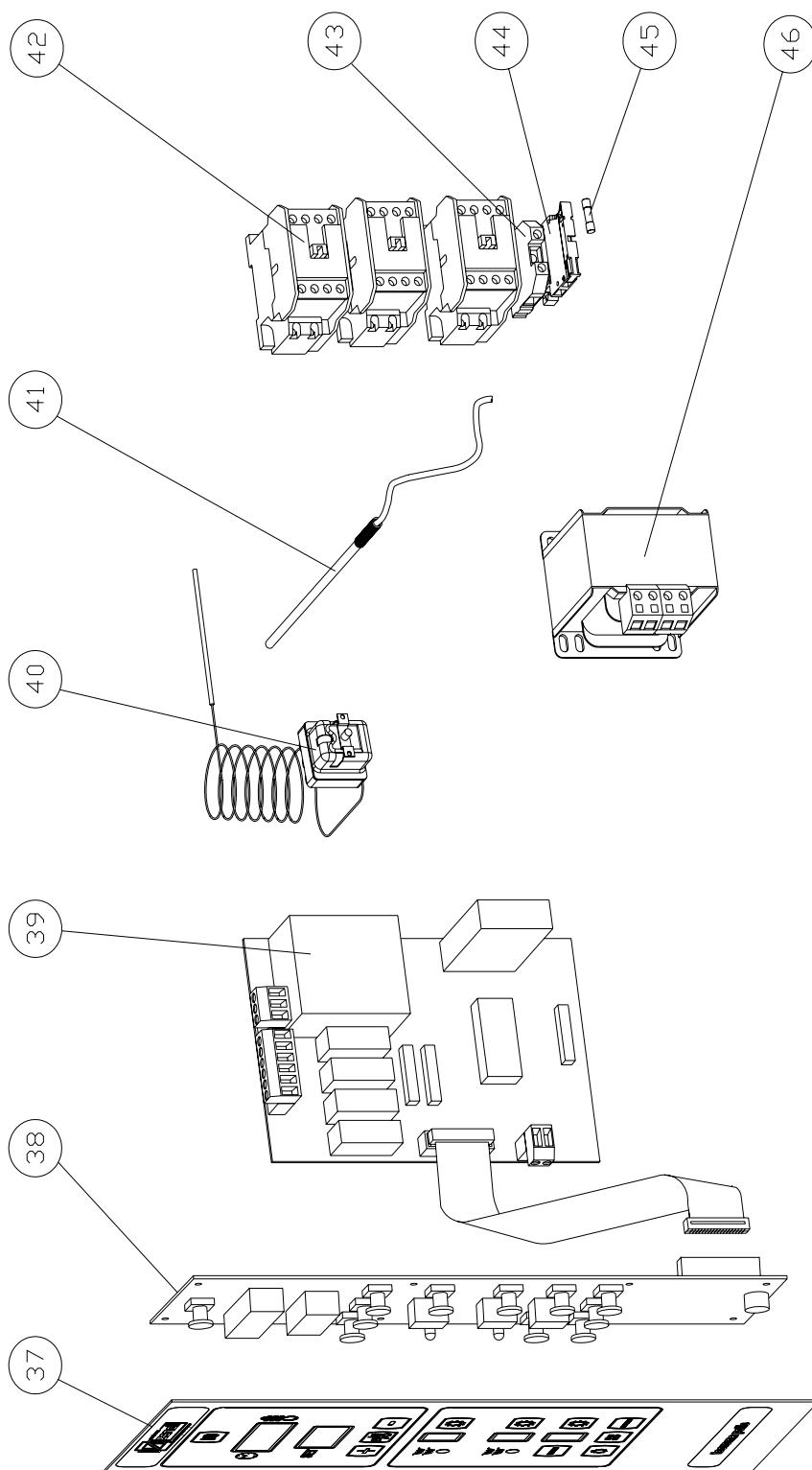


Fig.10-2 Disegno esploso parti elettriche

N°	Descrizione	Codici				
		T2 POLIS MC18	T2S POLIS MC18	T3 POLIS MC18	T4 POLIS MC18	T6 POLIS MC18
1	TELAIO FERMA VETRO	CARP0110	CARP0545	CARP0111	CARP0110	CARP0111
2	STAFFA SX	SUPP0206	SUPP0206	SUPP0206	SUPP0206	SUPP0206
3	BOCCOLA	BOCC0006	BOCC0006	BOCC0006	BOCC0006	BOCC0006
4	TELAIO PORTA	PORT0162	PORT0183	PORT0164	PORT0162	PORT0164
5	STAFFA DX	SUPP0207	SUPP0207	SUPP0207	SUPP0207	SUPP0207
6	RESISTENZA ANTERIORE	RESI0068	RESI0035	RESI0069	RESI0068	RESI0069
7	RESISTENZA POSTERIORE	RESI0051	RESI0035	RESI0052	RESI0051	RESI0052
8	POMELLO SCARICO VAPORE	MANI0009	MANI0009	MANI0009	MANI0009	MANI0009
9	PORTALE	FIAN0149	FIAN0232	FIAN0151	FIAN0149	FIAN0151
10	LAMIERA DI CONTENIMENTO	CARP0486	CARP1096	CARP0486	CARP0488	CARP0488
11	FIANCO SX	FIAN0228	FIAN0235	FIAN0228	FIAN0230	FIAN0230
12	FONDO-CIELO	CARP0506	CARP1098	CARP0507	CARP0508	CARP0509
13	ASTA FARFALLA	ASTA0007	ASTA0013	ASTA0007	ASTA0015	ASTA0015
14	REGISTRO COMANDO FARFALLA	CARP0248	CARP0248	CARP0248	CARP0248	CARP0248
15	CAMERA COTTURA	CAME0081	CAME0090	CAME0082	CAME0115	CAME0117
16	SCHIENALE	FIAN0153	FIAN0233	FIAN0155	FIAN0153	FIAN0155
17	CAMINO	TUBO0046	TUBO0046	TUBO0046	TUBO0046	TUBO0046
18	CRISTALLO PORTA	CRIS0025	CRIS0026	CRIS0028	CRIS0025	CRIS0028
19	TUBO MANIGLIA	MANI0057	MANI0060	MANI0058	MANI0057	MANI0058
20	MOLLA PORTA SX	SPRI0009	SPRI0009	SPRI0009	SPRI0009	SPRI0009
21	MOLLA PORTA DX	SPRI0010	SPRI0010	SPRI0010	SPRI0010	SPRI0010
22	REFRATTARIO COTTURA	REFR0023	REFR0022	REFR0023	REFR0024	REFR0024
23	PIANO COTTURA IN LAMIERA ANT.	PLAM0018	PLAM0024	PLAM0020	PLAM0018	PLAM0020
24	PIANO COTTURA IN LAMIERA POST.	PLAM0019	PLAM0025	PLAM0021	PLAM0019	PLAM0021
25	RINFORZO REFRATTARI	-	-	-	CARP1208	CARP1209
26	CARTER COMANDI	CART0128	CART0128	CART0128	CART0128	CART0128
27	TELAIO VETRO VANO LUCE	CARP0046	CARP0046	CARP0046	CARP0046	CARP0046
28	CRISTALLO LUCE	CRIS0006	CRIS0006	CRIS0006	CRIS0006	CRIS0006
29	LAMIERA DI SEPARAZIONE	CARP0491	CARP1097	CARP0491	CARP1316	CARP1316
30	FONDO-CIELO	CARP0506	CARP1098	CARP0507	CARP0508	CARP0509
31	SUPPORTO LAMPADA ALOGENA	CARP0515	CARP0515	CARP0515	CARP0515	CARP0515
32	LAMPADA ALOGENA	LAMP0020	LAMP0020	LAMP0020	LAMP0020	LAMP0020
33	PORTALAMPADA BISPINA	LAMP0021	LAMP0021	LAMP0021	LAMP0021	LAMP0021
34	STAFFA SUPPORTO PORTALAMPADA	CARP1275	CARP1275	CARP1275	CARP1275	CARP1275
35	COLLETTORE LUCE LAMPADA	CARP0495	CARP1130	CARP0495	CARP0495	CARP0495
36	FIANCO DX	FIAN0224	FIAN0234	FIAN0224	FIAN0226	FIAN0226
37	MEMBRANA ADESIVA	PANN0275	PANN0275	PANN0275	PANN0275	PANN0275
38	PULSANTIERA 9 PROGRAMMI	ELET0149	ELET0149	ELET0149	ELET0149	ELET0149
39	SCHEDA BASE	ELET0148	ELET0148	ELET0148	ELET0148	ELET0148
40	TERMOSTATO SICUREZZA 500°C	TERM0005	TERM0005	TERM0005	TERM0005	TERM0005
41	SONDA FE-COST 6x200	TERM0020	TERM0020	TERM0020	TERM0020	TERM0020
42	TELERUTTORE 32 A	ELET0002	ELET0002	ELET0002	ELET0002	ELET0002
		ELET0160	ELET0160	ELET0160	ELET0160	ELET0160
		ELET0432	ELET0432	ELET0432	ELET0432	ELET0432
43	MORSETTO DI TERRA 10 MMQ	ELET0462	ELET0462	ELET0462	ELET0462	ELET0462
44	MORSETTO PORTAFUSIBILE 4 MMQ	ELET0440	ELET0440	ELET0440	ELET0440	ELET0440
45	FUSIBILE	ELET0204	ELET0204	ELET0204	ELET0204	ELET0204
46	TRASFORMATORE LAMPADA ALOGENA	ELET0144	ELET0144	ELET0144	ELET0144	ELET0144

Tab.10.1 Elenco parti di ricambio

N°	Descrizione	Codici			
		T2 POLIS MC28	T3 POLIS MC28	T4 POLIS MC28	T6 POLIS MC28
1	TELAIO FERMA VETRO	CARP0110	CARP0111	CARP0110	CARP0111
2	STAFFA SX	SUPP6013	SUPP6013	SUPP6013	SUPP6013
3	BOCCOLA	BOCC0006	BOCC0006	BOCC0006	BOCC0006
4	TELAIO PORTA	PORT6035	PORT6036	PORT6035	PORT6036
5	STAFFA DX	SUPP6014	SUPP6014	SUPP6014	SUPP6014
6	RESISTENZA ANTERIORE	RESI0068	RESI0069	RESI0068	RESI0069
7	RESISTENZA POSTERIORE	RESI0051	RESI0052	RESI0051	RESI0052
8	POMELLO SCARICO VAPORE	MANI0009	MANI0009	MANI0009	MANI0009
9	PORTALE	FIAN0207	FIAN0208	FIAN0207	FIAN0208
10	LAMIERA DI CONTENIMENTO	CARP0774	CARP0774	CARP0773	CARP0773
11	FIANCO SX	FIAN0229	FIAN0229	FIAN0231	FIAN0231
12	FONDO-CIELO	CARP0506	CARP0507	CARP0508	CARP0509
13	ASTA FARFALLA	ASTA0007	ASTA0007	ASTA0015	ASTA0015
14	REGISTRO COMANDO FARFALLA	CARP0248	CARP0248	CARP0248	CARP0248
15	CAMERA COTTURA	CAME0085	CAME0086	CAME0116	CAME0118
16	SCHIENALE	FIAN0209	FIAN0210	FIAN0209	FIAN0210
17	CAMINO	TUBO0075	TUBO0075	TUBO0075	TUBO0075
18	CRISTALLO PORTA	CRIS0025	CRIS0028	CRIS0025	CRIS0028
19	TUBO MANIGLIA	MANI0057	MANI0058	MANI0057	MANI0058
20	MOLLA PORTA SX	SPRI0009	SPRI0009	SPRI0009	SPRI0009
21	MOLLA PORTA DX	SPRI0010	SPRI0010	SPRI0010	SPRI0010
22	REFRATTARIO COTTURA	REFR0023	REFR0023	REFR0024	REFR0024
23	PIANO COTTURA IN LAMIERA ANT.	PLAM0018	PLAM0020	PLAM0018	PLAM0020
24	PIANO COTTURA IN LAMIERA POST.	PLAM0019	PLAM0021	PLAM0019	PLAM0021
25	RINFORZO REFRATTARI	-	-	CARP1208	CARP1209
26	CARTER COMANDI	CART0129	CART0129	CART0129	CART0129
27	TELAIO VETRO VANO LUCE	CARP0046	CARP0046	CARP0046	CARP0046
28	CRISTALLO LUCE	CRIS0006	CRIS0006	CRIS0006	CRIS0006
29	LAMIERA DI SEPARAZIONE	CARP0771	CARP0771	CARP1317	CARP1317
30	FONDO-CIELO	CARP0506	CARP0507	CARP0508	CARP0509
31	SUPPORTO LAMPADA ALOGENA	CARP0515	CARP0515	CARP0515	CARP0515
32	LAMPADA ALOGENA	LAMP0020	LAMP0020	LAMP0020	LAMP0020
33	PORTALAMPADA BISPINA	LAMP0021	LAMP0021	LAMP0021	LAMP0021
34	STAFFA SUPPORTO PORTALAMPADA	CARP1275	CARP1275	CARP1275	CARP1275
35	COLLETTORE LUCE LAMPADA	CARP0495	CARP0495	CARP0495	CARP0495
36	FIANCO DX	FIAN0225	FIAN0225	FIAN0227	FIAN0227
37	MEMBRANA ADESIVA	PANN0275	PANN0275	PANN0275	PANN0275
38	PULSANTIERA 9 PROGRAMMI	ELET0149	ELET0149	ELET0149	ELET0149
39	SCHEDA BASE	ELET0148	ELET0148	ELET0148	ELET0148
40	TERMOSTATO SICUREZZA 500°C	TERM0005	TERM0005	TERM0005	TERM0005
41	SONDA FE-COST 6x200	TERM0020	TERM0020	TERM0020	TERM0020
42	TELERUTTORE 32 A	ELET0002	ELET0002	ELET0002	ELET0002
		ELET0160	ELET0160	ELET0160	ELET0160
		ELET0432	ELET0432	ELET0432	ELET0432
43	MORSETTO DI TERRA 10 MMQ	ELET0462	ELET0462	ELET0462	ELET0462
44	MORSETTO PORTAFUSIBILE 4 MMQ	ELET0440	ELET0440	ELET0440	ELET0440
45	FUSIBILE	ELET0204	ELET0204	ELET0204	ELET0204
46	TRASFORMATORE LAMPADA ALOGENA	ELET0144	ELET0144	ELET0144	ELET0144

Tab.10.2 Elenco parti di ricambio