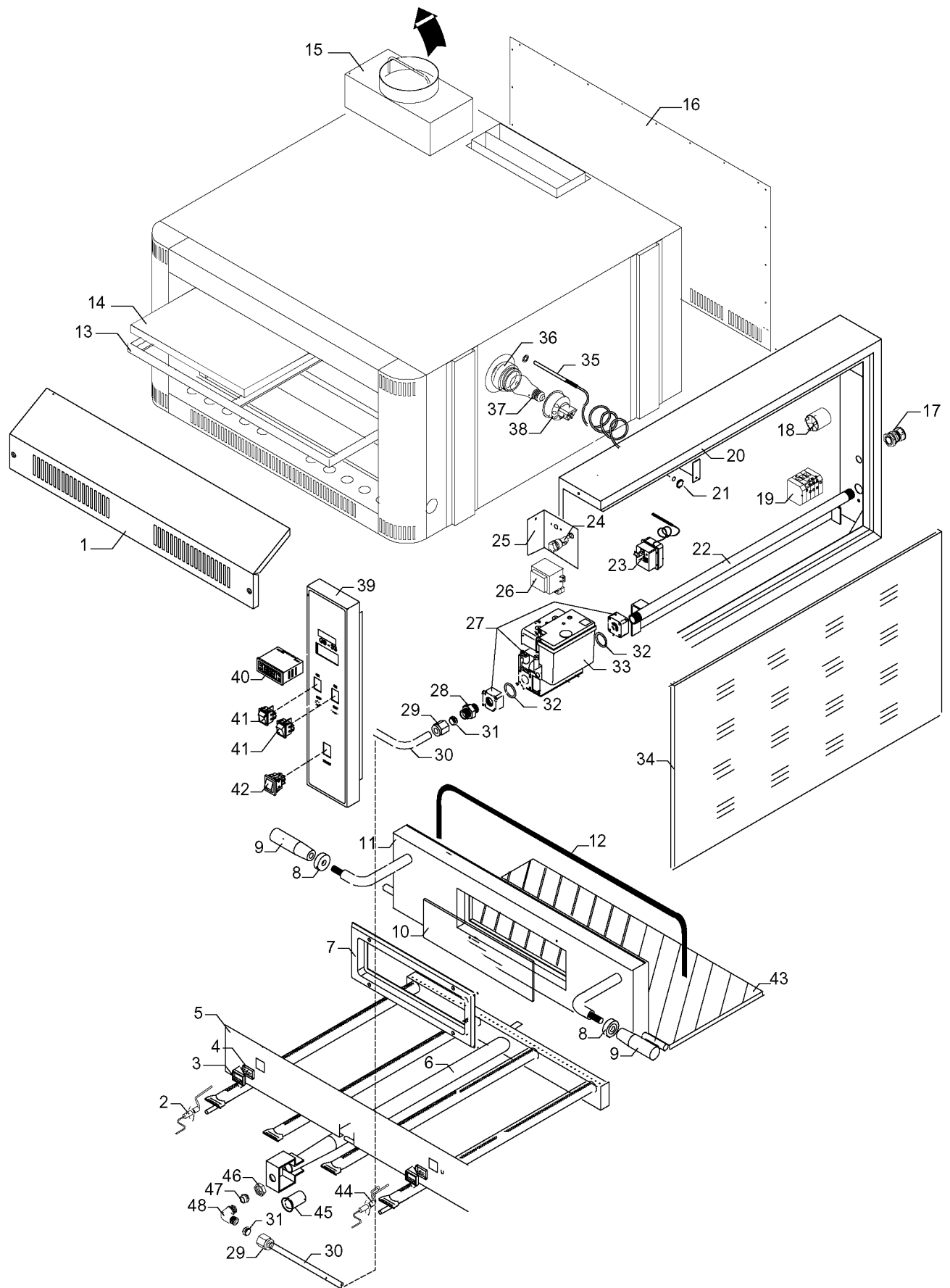


**DIGITAL CONTROLLED SINGLE - DUAL CHAMBER PIZZA GAS OVENS
FORNO PIZZA GAS MONOCAMERA-BICAMERA CONTROLLO DIGITALE**

PNC	Model	Ref.	Page
291403	ZCBDG8	a	1-3
291406	ZCBDG12	b	1-3
291412	ZCBDG18	c	1-3

Marchio / Brand: Z
Paese / Country: Tutti / All



DIGITAL CONTROLLED SINGLE - DUAL CHAMBER PIZZA GAS OVENS