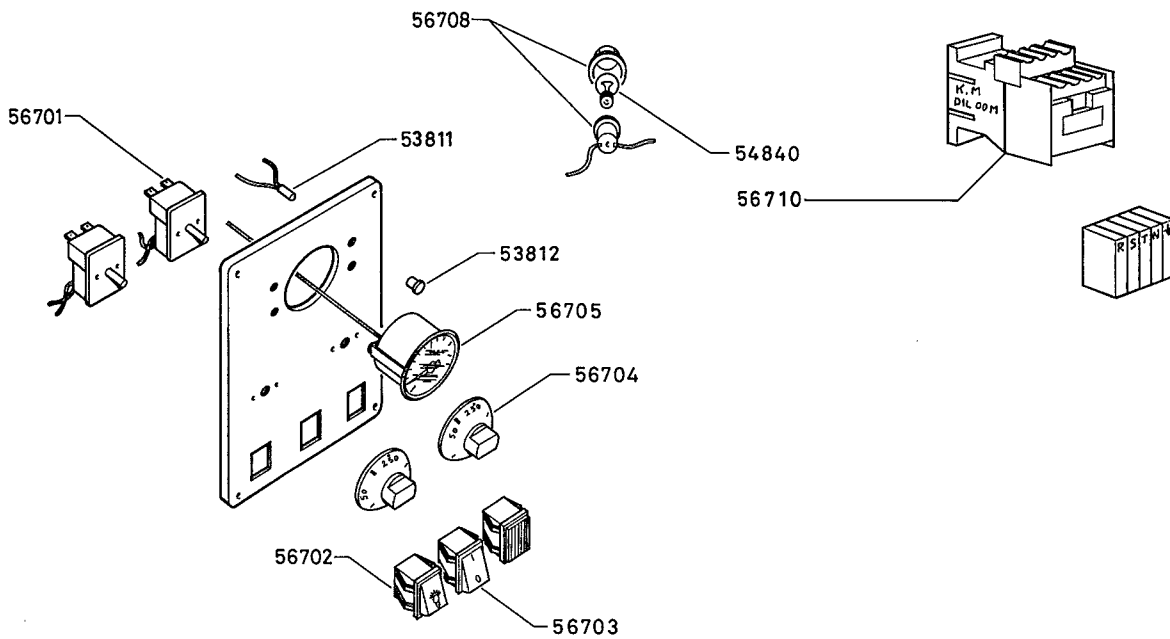
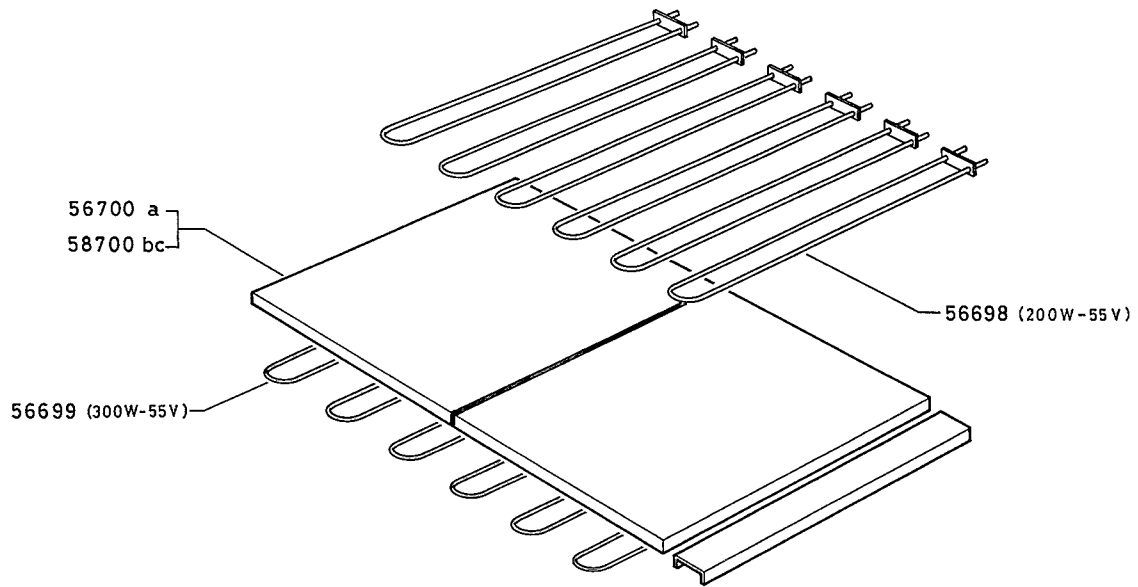


ELECTRIC PASTRY AND PIZZA OVENS FORNI ELETTRICI PER PIZZA E PASTICCERIA						Z-P	REF. RIF	from serial Da matricola N°
a		b		c				20 06 89
291 445 FZ/E18	770 585 FZ/E 18	291 449 FP/E18	770 589 FP/E 18	291 448 FP/E30	770 588 FP/E 30			



ELECTRIC PASTRY AND PIZZA OVENS FORNI ELETTRICI PER PIZZA E PASTICCERIA						Z-P	REF RIF	from serial Da matricola N°
a		b		c				
291445 FZ/E18	770585 FZ/E 18	291449 FP/E18	770589 FP/E 18	291448 FP/E30	770588 FP/E 30		200689	